

Signal lamps with integrated neon glow lamp - 10 mm, round lens, 230 V, green lens

1.69.507.118/1502



General information

Form of lens	round
Color of lens	transparent green
Diameter of collar	12.5

Dimensions

Overall height	3 mm
Mounting depth	30 mm
Mounting hole	10 mm

Mechanical design

Mounting	pressing into hole
Terminals	quick connector 2.8 x 0.8 mm
Lamp socket	no
Lamp	neon glow lamp

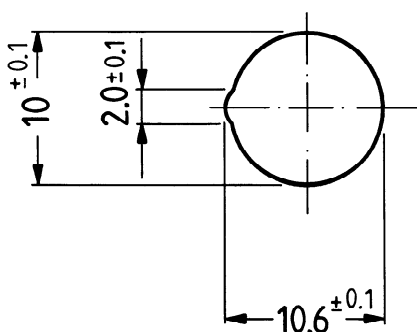
Electrical characteristics

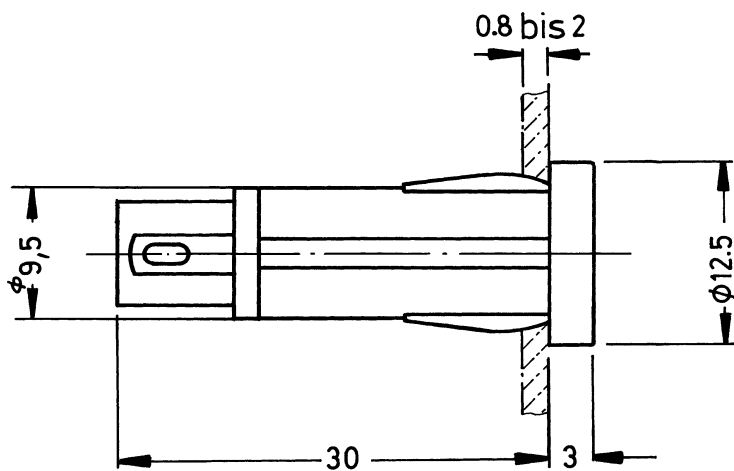
Voltage limit max.	230 V
--------------------	-------

Other specifications

Degree of protection from front side	IP40 (DIN EN 60529)
Weight	2.5 g
ROHS compliant	yes
REACH compliant	yes

Panel cut-out





Mouser Electronics

Authorized Distributor

Click to View Pricing, Inventory, Delivery & Lifecycle Information:

[RAFI:](#)

[1.69.507.118/1502](#)