

Compact high-performance Fan Heater CS 030 Series (Semiconductor)

1,200W



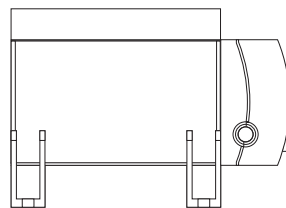
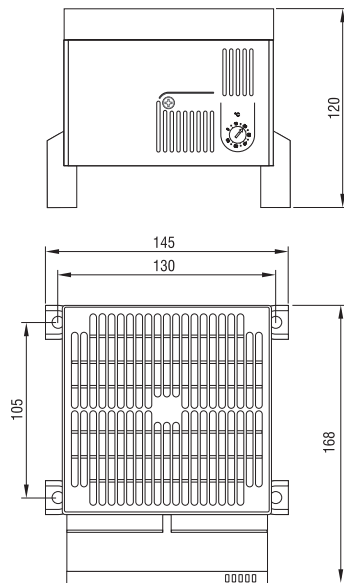
- Compact design
- High heating performance
- Double insulated
- Integrated thermostat (optional)

The compact high performance fan heater prevents formation of condensation and frost and provides an evenly distributed interior air temperature in enclosures with electric/electronic components. The plastic enclosure provides double insulation and acts as protection against contact. The fan heater is available with optional integrated thermostat for temperature control. The CS 030 was designed as a stationary unit for the bottom of the enclosure. For wall fixing the fan heater CS 130 is recommended.

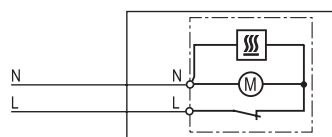


Technical Data

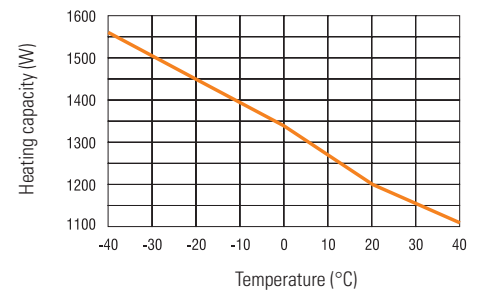
Heating element	PTC resistor - temperature limiting
Temperature safety cut-out	to protect against overheating in case of fan failure, automatic reset
Axial fan, ball bearing	airflow 160m ³ /h, free flow service life 50,000h at 25°C (77°F)
Connection	2-pole max. 2.5mm ² , clamping screw with strain relief, torque 0.8Nm max.
Casing	plastic according to UL94 V-0, black
Mounting	screw fixing (M5)
Fitting position	vertical airflow (air outlet up) – other fitting positions possible
Dimensions	168 x 145 x 120mm
Weight	approx. 1.2kg
Operating / Storage temperature	-45 to +70°C (-49 to +158°F)
Operating / Storage humidity	max. 90% RH (non-condensing)
Protection type / Protection class	IP20 / II (double insulated)



Connection diagram



Heating capacity / Ambient temperature diagram CS 030



Art. No.	Model	Operating voltage	Heating capacity ¹⁾	Inrush current max.	Pre-fuse T (time-delay)	Setting range	Approvals
03060.0-00	Fan Heater with thermostat	230VAC, 50/60Hz	1,200W	13A	8A	0 to +60°C	VDE + UL File No. E150057 ²⁾
03060.0-01	Fan Heater without thermostat	230VAC, 50/60Hz	1,200W	13A	8A	-	VDE + UL File No. E150057 ²⁾
03060.9-00	Fan Heater with thermostat	120VAC, 50/60Hz	1,200W	16A	10A	+32 to +140°F	UL File No. E150057 ²⁾
03060.9-01	Fan Heater without thermostat	120VAC, 50/60Hz	1,200W	16A	10A	-	UL File No. E150057 ²⁾

¹⁾ at 20°C (68°F) ambient temperature; ²⁾ according to UL 499, intended for the use within an enclosure in accordance with UL 508A