

60mm sq.

San Ace 60

- 15mm thick (9GA type), 15mm thick (9P type)
- 20mm thick (9GA type), 20mm thick (9P type)
- 25mm thick (9S type), 25mm thick (9G type)
- 25mm thick (9R type), 25mm thick (San Cooler) (9A type)
- 38mm thick (9GA type), 38mm thick (9GV type)
- 38mm thick (9G type)



Model no. 9GA0624P7G01 is not certified.

General Specifications

- Material Frame: Plastics (Flammability: UL94V-0), Impeller: Plastics (Flammability: UL94V-0)
- Expected Life Refer to specifications (L10: Survival rate: 90% at 60°C, rated voltage, and continuously run in a free air state)
- Lead Wire ⊕red ⊖black (Sensor) yellow (Control) brown
- Storage Temperature -30°C to +70°C (Non-condensing)

60×60×15mm (Mass : 50g) **9GA type** **Low Power Consumption Fan**



Specifications

The following nos. **have PWM controls, pulse sensors, and ribs.**

Model No.	Rated Voltage [V]	Operating Voltage Range [V]	PWM duty cycle* [%]	Rated Current [A]	Rated Input [W]	Rated Speed [min ⁻¹]	Max. Airflow [m ³ /min] [CFM]	Max. Static Pressure [Pa] [inchH ₂ O]	SPL [dB(A)]	Operating Temperature [°C]	Expected Life ^{Note2} [h]
9GA0612P7G01	12	10.2 to 13.8	100	0.16	1.92	5,900	0.68 24	80 0.320	38	-20 to +70	40,000/60°C (70,000/40°C)
			0	0.05	0.60	1,500	0.17 6.0	5.2 0.020	10		
9GA0612P7H01			100	0.10	1.2	4,900	0.56 19.7	55.6 0.223	34		
			0	0.03	0.36	1,300	0.15 5.3	3.9 0.015	8		
9GA0624P7G01 ^{Note1}	24	20.4 to 27.6	100	0.08	1.92	5,900	0.68 24.0	80 0.320	38	-10 to +70	

Note1: Fan does not rotate when PWM duty cycle is 0%.
 Note2: Expected life at 40°C ambient is just reference value.

※PWM Frequency : 25kHz

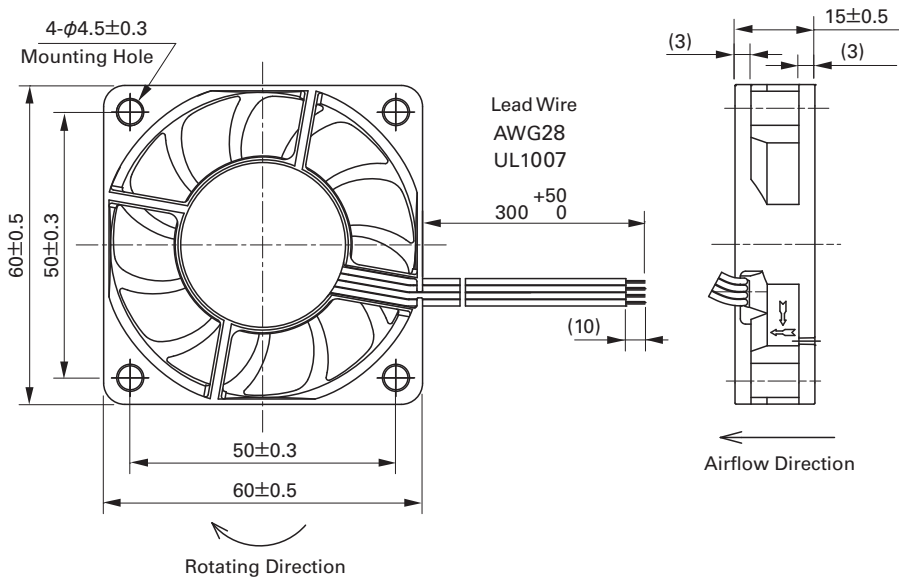
The following nos. have pulse sensors and ribs.

Model No.	Rated Voltage [V]	Operating Voltage Range [V]	Rated Current [A]	Rated Input [W]	Rated Speed [min ⁻¹]	Max. Airflow [m ³ /min] [CFM]	Max. Static Pressure [Pa] [inchH ₂ O]	SPL [dB(A)]	Operating Temperature [°C]	Expected Life [h]
9GA0612G701	12	6 to 13.8	0.16	1.92	5,900	0.68 24	80 0.320	38	-20 to +70	40,000/60°C (70,000/40°C)
9GA0612H701			0.1	1.2	4,900	0.56 19.7	55.6 0.223	34		
9GA0612M701			0.08	0.96	3,900	0.45 15.9	35.3 0.142	28		
9GA0612L701			0.03	0.36	2,800	0.31 10.9	18 0.072	17		

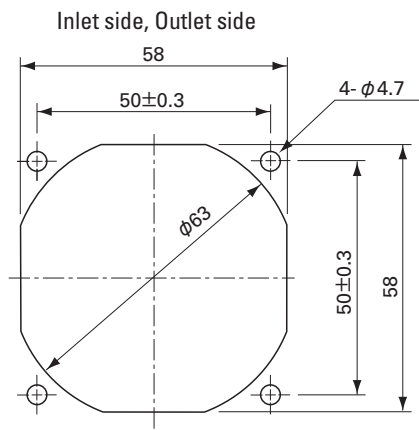
Some models can also be equipped without sensors as an option. Please refer to the index (pp. 417 to 437).

Dimensions (unit : mm)

(With PWM speed control function · With pulse sensor)



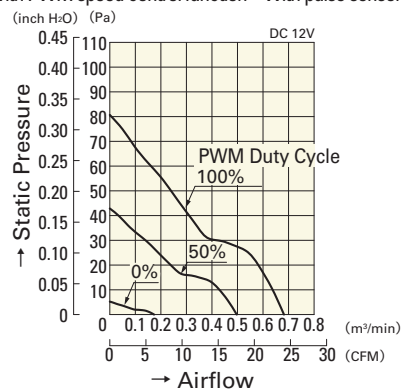
Reference Dimension of Mounting Holes and Vent Opening (unit : mm)



Airflow - Static Pressure Characteristics

PWM Duty Cycle

With PWM speed control function · With pulse sensor



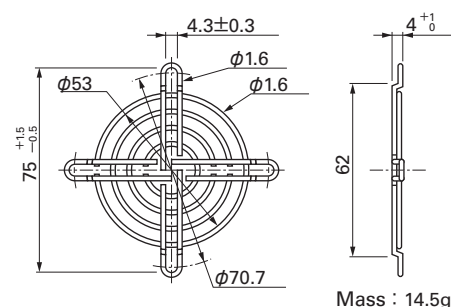
9GA0612P7G01

Options (unit : mm)

Finger Guards

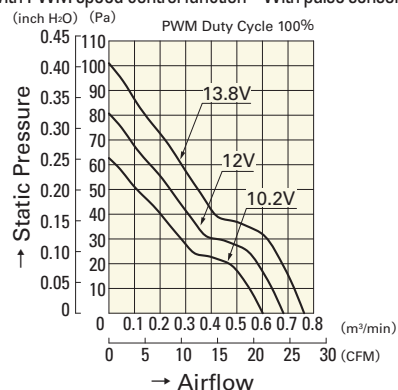
Model : 109-139E Surface treatment : Nickel-chrome plating (silver)
 : 109-139H : Cation electropainting (black)

Inlet side, Outlet side



Operating Voltage Range

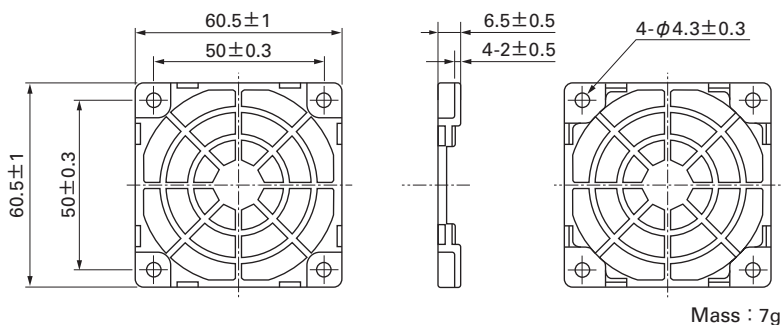
With PWM speed control function · With pulse sensor



9GA0612P7G01

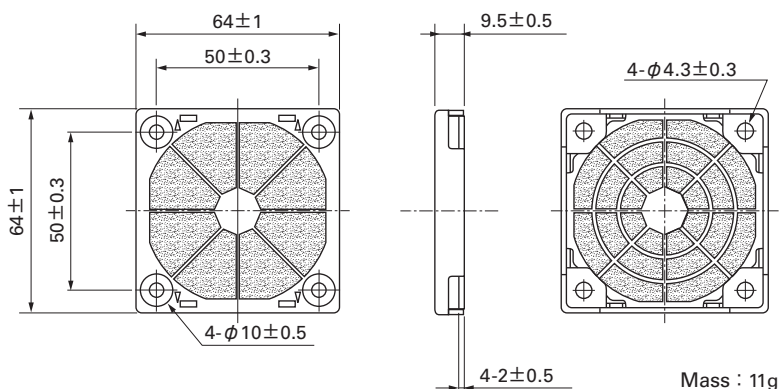
Resin Finger Guards

Model : 109-1003G



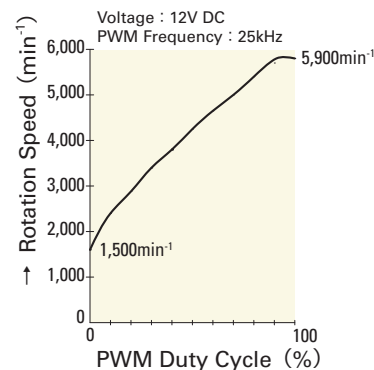
Resin Filter Kits

Model : 109-1003F13 (13PPI), 109-1003F20 (20PPI)
 : 109-1003F30 (30PPI), 109-1003F40 (40PPI)



PWM Duty - Speed Characteristics Example

With PWM speed control function · With pulse sensor



9GA0612P7G01

60mm sq.

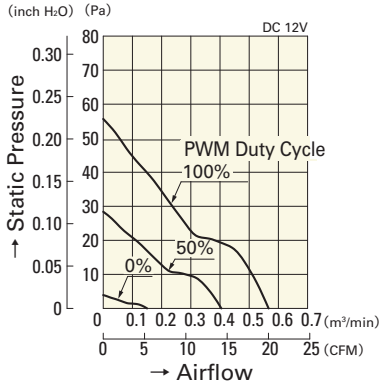
San Ace 60

60×60×15mm [Mass : 50g]

Airflow - Static Pressure Characteristics

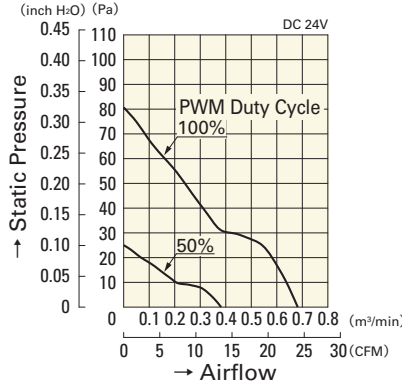
PWM Duty Cycle

With PWM speed control function · With pulse sensor



9GA0612P7H01

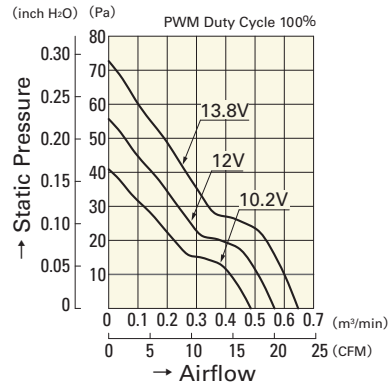
With PWM speed control function · With pulse sensor



9GA0624P7G01

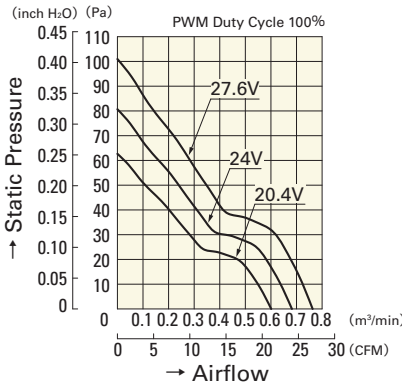
Operating Voltage Range

With PWM speed control function · With pulse sensor



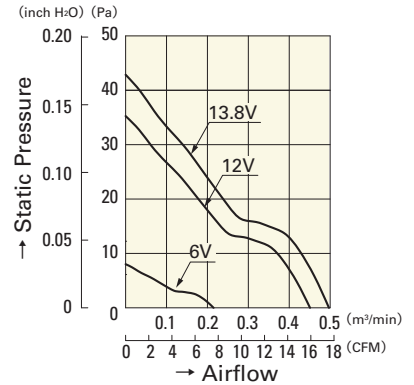
9GA0612P7H01

With PWM speed control function · With pulse sensor



9GA0624P7G01

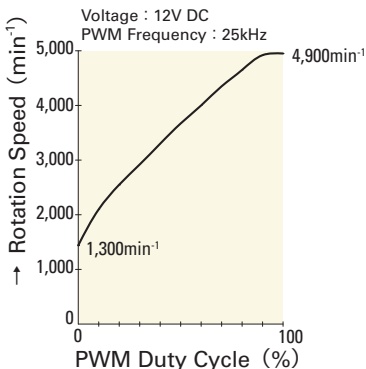
With pulse sensor



9GA0612M701

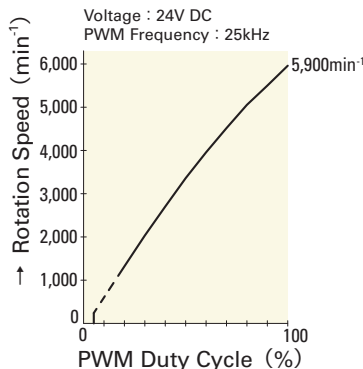
PWM Duty - Speed Characteristics Example

With PWM speed control function · With pulse sensor

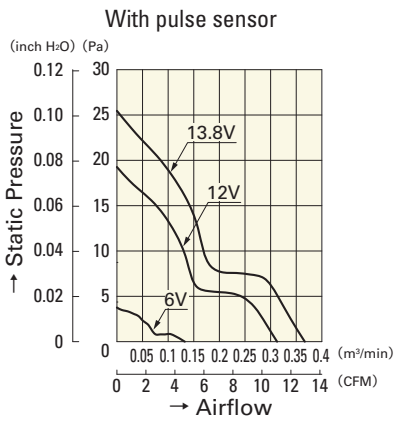


9GA0612P7H01

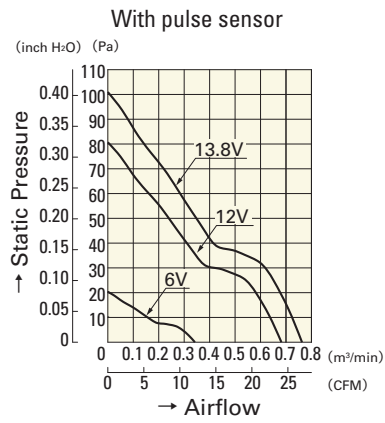
With PWM speed control function · With pulse sensor



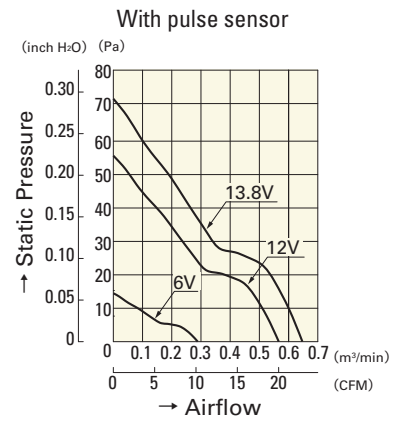
9GA0624P7G01



9GA0612L701



9GA0612G701



9GA0612H701