



154N

Constant Voltage

SPECIFICATIONS

- ◆ 316L SS Pressure Sensor
- ◆ 19mm Diameter Package
- ◆ 0 - 100mV Output
- ◆ Absolute and Gage
- ◆ Temperature Compensated

The 154N constant voltage is a 19 mm small profile, media compatible, piezoresistive silicon pressure sensor packaged in a 316L stainless steel housing. The 154N constant voltage is designed for o-ring mounting and OEM applications where compatibility with corrosive media is required.

The sensing package utilizes silicone oil to transfer pressure from the 316L stainless steel diaphragm to the sensing element. A ceramic substrate is attached to the package that contains laser-trimmed resistors for temperature compensation and offset correction.

Please refer to the 154N uncompensated and compensated datasheets for more information on different features of the 154N.

FEATURES

- ◆ O-Ring Mount

154N

Constant Voltage

- ◆ -40°C to +125°C Operating Temperature Range
- ◆ Up to ±0.1% Pressure Non Linearity
- ◆ Solid State Reliability

APPLICATIONS

- ◆ Medical Instruments
- ◆ Process Control
- ◆ Fresh & Waste Water Measurements
- ◆ Refrigeration/Compressors
- ◆ Pressure Transmitters
- ◆ Hydraulic Controls

STANDARD RANGES

Range	psia	psig
0 to 1		◆
0 to 5	◆	◆
0 to 15	◆	◆
0 to 30	◆	◆
0 to 50	◆	◆
0 to 100	◆	◆
0 to 300	◆	◆
0 to 500	◆	◆

PERFORMANCE SPECIFICATIONS

Supply Voltage: 10Vdc

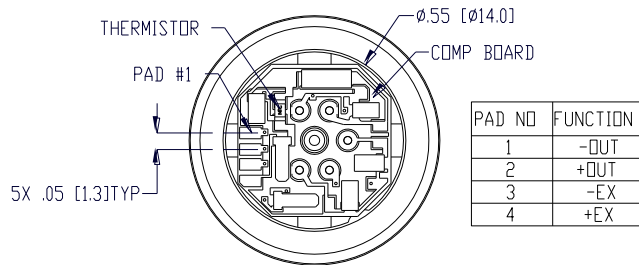
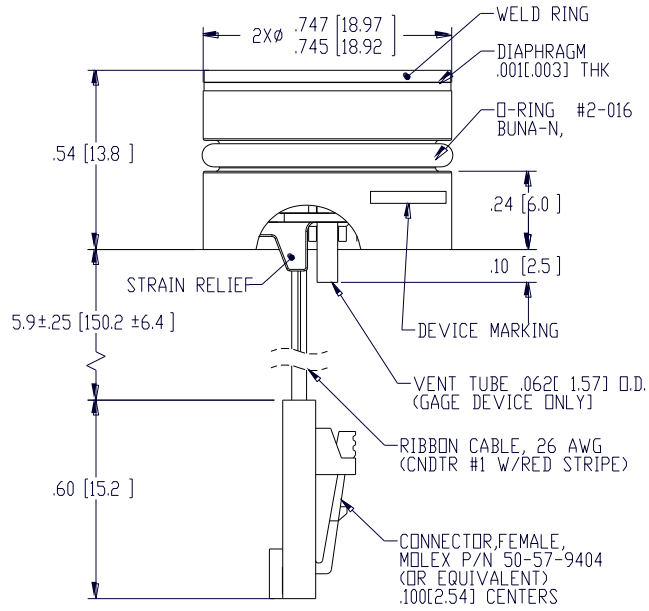
Ambient Temperature: 25°C (unless otherwise specified)

PARAMETERS	≤005PSI			≥015PSI			UNITS	NOTES
	MIN	TYP	MAX	MIN	TYP	MAX		
Span		1psi: 77, 80, 83 5psi: 98, 100, 102		99	100	101	mV	
Zero Pressure Output	-2.0	0	2.0	-1.0	0	1.0	mV	1
Pressure Non Linearity		1psi: -0.30 to 0.30 5psi: -0.20 to 0.20		-0.10		0.10	%Span	2
Pressure Hysteresis	-0.10	±0.02	0.10	-0.05	±0.02	0.05	%Span	
Repeatability		±0.02			±0.02		%Span	
Input Resistance	5.5	9.0	12.5	5.5	9.0	12.5	KΩ	
Output Resistance	4.0		7.0	4.0		6.0	KΩ	
Temperature Error – Span	-1.0		1.0	-1.0		1.0	%Span	3
Temperature Error – Offset	-1.0		1.0	-1.0		1.0	%Span	3
Thermal Hysteresis – Span	-0.25	±0.05	0.25	-0.25	±0.05	0.25	%Span	3
Thermal Hysteresis – Offset	-0.25	±0.05	0.25	-0.25	±0.05	0.25	%Span	3
Long Term Stability – Span		±0.10			±0.10		%Span/Year	
Long Term Stability – Offset		±0.25			±0.10		%Span/Year	
Supply Voltage		10	14		10	14	V	4
Output Load Resistance	5			5			MΩ	5
Insulation Resistance (50Vdc)	50			50			MΩ	6
Output Noise (10Hz to 1KHz)		1.0			1.0		uV p-p	
Response Time (10% to 90%)		0.1			0.1		ms	
Pressure Overload		1psi: 10X max 5psi: 3X max				3X	Rated	
Pressure Burst		1psi: 12X max 5psi: 4X max				4X	Rated	7
Compensated Temperature		1psi: 0 to 50 5psi: 0 to 70		-20		+85	°C	
Operating Temperature	-20		+70	-40		+125	°C	8
Storage Temperature	-40		+125	-40		+125	°C	8
Media – Pressure Port	Liquids and Gases compatible with 316/316L Stainless Steel							
Media – Reference Port	Compatible with Silicon, Pyrex, Gold, Fluorosilicone Rubber, and 316/316L Stainless Steel							

Notes

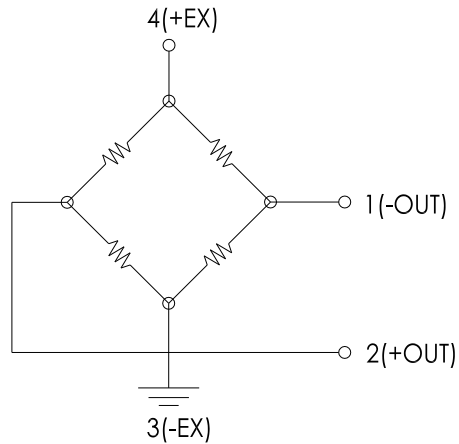
1. Measured at vacuum for absolute (A), ambient for gage (G).
2. Best fit straight line.
3. Over the compensated temperature range with respect to 25°C.
4. Guarantees output/input ratiometricity.
5. Load resistance to reduce measurement errors due to output loading.
6. Between case and sensing element.
7. The maximum pressure that can be applied to a transducer without rupture of either the sensing element or transducer.
8. Maximum temperature range for product with standard cable and connector is -20°C to +105°C.

DIMENSIONS



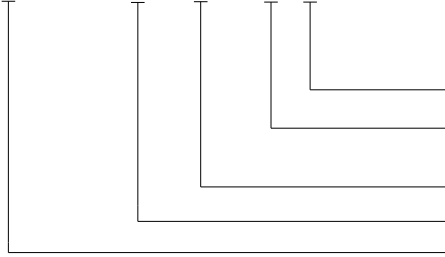
VIEW SHOWN W/O CABLE
AND CONNECTOR FOR CLARITY
DIMENSIONS ARE IN INCHES [mm]

CONNECTIONS



ORDERING INFORMATION

154CV - 050 G - C T



Vent (T = Tube, Blank = No Tube)
 Electrical (C = Ribbon Cable with Connector, R = Ribbon Cable)
 Type (A = Absolute, G = Gage)
 Pressure Range
 Model

NORTH AMERICA

Measurement Specialties, Inc.,
 a TE Connectivity Company
 Tel: 800-522-6752
 Email: customercare.frmt@te.com

EUROPE

Measurement Specialties (Europe), Ltd.,
 a TE Connectivity Company
 Tel: 800-440-5100
 Email: customercare.lcsb@te.com

ASIA

Measurement Specialties (China), Ltd.,
 a TE Connectivity Company
 Tel: 0400-820-6015
 Email: customercare.shzn@te.com

TE.com/sensorsolutions

Measurement Specialties, Inc., a TE Connectivity company.

Measurement Specialties, TE Connectivity, TE Connectivity (logo) and EVERY CONNECTION COUNTS are trademarks. All other logos, products and/or company names referred to herein might be trademarks of their respective owners.

The information given herein, including drawings, illustrations and schematics which are intended for illustration purposes only, is believed to be reliable. However, TE Connectivity makes no warranties as to its accuracy or completeness and disclaims any liability in connection with its use. TE Connectivity's obligations shall only be as set forth in TE Connectivity's Standard Terms and Conditions of Sale for this product and in no case will TE Connectivity be liable for any incidental, indirect or consequential damages arising out of the sale, resale, use or misuse of the product. Users of TE Connectivity products should make their own evaluation to determine the suitability of each such product for the specific application.

© 2015 TE Connectivity Ltd. family of companies All Rights Reserved.

Mouser Electronics

Authorized Distributor

Click to View Pricing, Inventory, Delivery & Lifecycle Information:

TE Connectivity:

[154N-005G-R](#) [154N-005G-RT](#) [154N-050G-R](#) [154N-300A-R](#) [154N-050A-R](#) [154N-030G-R](#) [154N-015A-R](#) [154N-015A-C](#) [154N-050G-RT](#) [154N-100G-R](#) [154N-030G-RT](#) [154N-030A-R](#) [154N-500A-R](#) [154N-015G-RT](#) [154N-100G-RT](#) [154N-500G-R](#) [154N-100A-R](#) [154N-300G-RT](#) [154N-001G-RT](#) [154N-300G-R](#) [154N-015G-R](#) [154N-500G-RT](#) [154CV-015G-R](#) [154CV-300G-R](#) [154CV-005G-R](#) [154CV-100A-R](#) [154N-001G-R](#)