

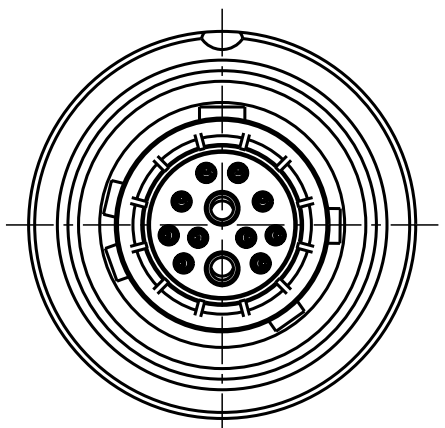
Für diese Unterlage behalten wir uns alle Rechte vor, auch für den Fall der Patentverletzung oder Gebrauchsmusterinfraktion. Sie darf ohne unsere vorherige schriftliche Zustimmung weder vervielfältigt noch sonstwie benutzt, nach Dritten zugänglich gemacht werden.

Nur rot gestempelte oder auf Laufkarte gedruckte Dokumente unterliegen dem Änderungsdienst und sind zur Fertigung freigegeben. Only red stamped or on jobcard printed documents are managed. These documents are approved for production.

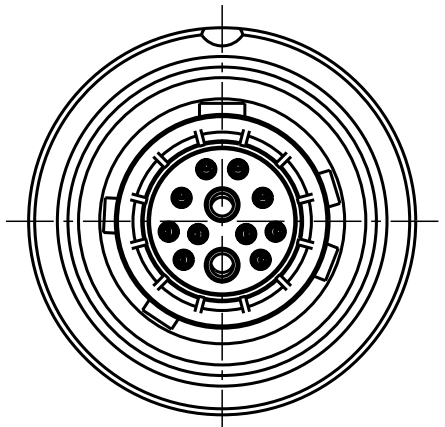
All rights reserved, including possible patents or trademarks. Documents shall not be provided to a third party or duplicated in any form without prior written permission.

CAD: Pro/ENGINEER

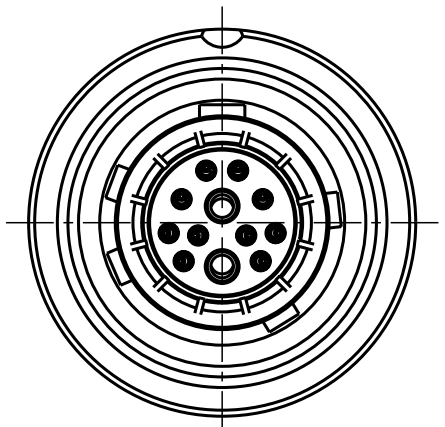
Additional coding
View in direction B
4:1



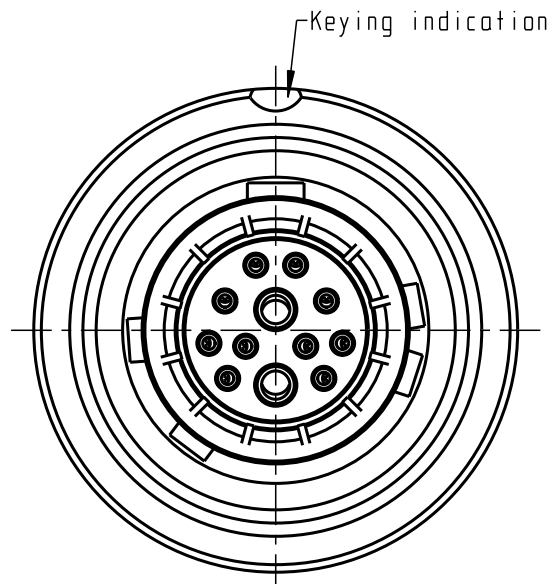
K10WBM-P12WMMO-0000
Mechanical coding: B
Color coding: red



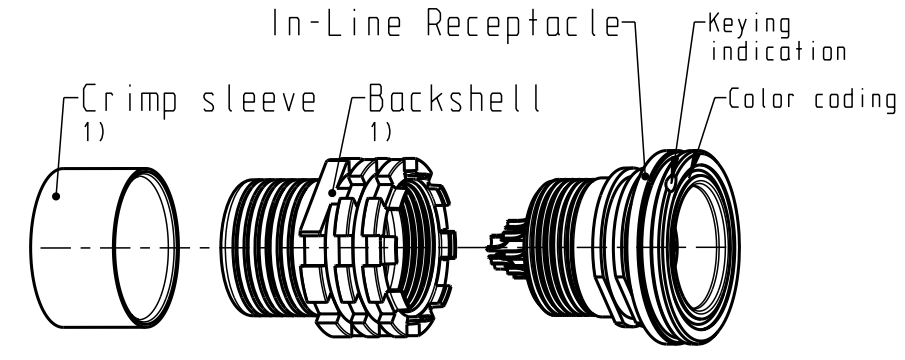
K10WCM-P12WMMO-0000
Mechanical coding: C
Color coding: blue



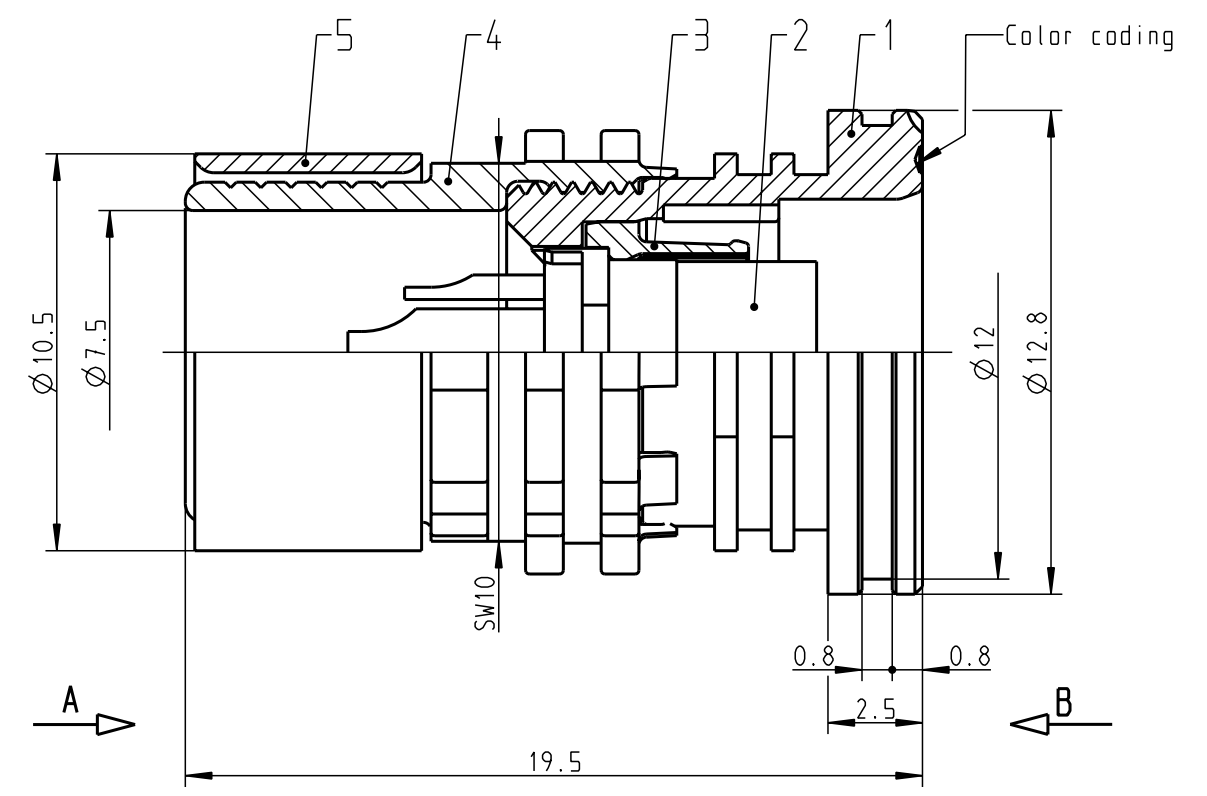
K10WDM-P12WMMO-0000
Mechanical coding: D
Color coding: green



K10WAM-P12WMMO-0000
Mechanical coding: A
Color coding: light brown



Delivery condition
2:1



Technical information

- Max. cable \varnothing 7.0mm (Based on cable with one braided shield)
 - Power solder contacts: AWG 22 (pos.5/10)
Current load: 5A (Single contact)
 - Signal solder contacts: AWG 28 (pos.1/2/3/4/6/7/8/9/11/12)
Current load: 1A (Single contact)
- Test voltage: 750V (acc. SAE AS 13441:1998, Contact to contact)
Rated voltage: 250V (acc. SAE AS 13441:1998).

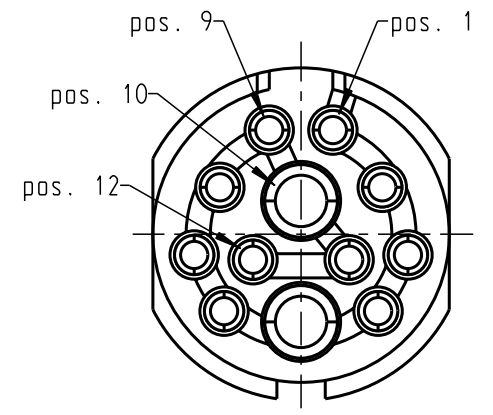
1) For crimp information, torque, etc. see assembly instruction 010.650.001.000.002 (www.odu.de/downloads)

2) Maximal operating voltage at sea level up to 2.000 m. Rated voltage applies no other electrical safety standard. In case other standards rule a specific use of the connector, the application specific safety criteria shall be considered first. This must be evaluated in the frame of equipment engineering.

All shown connectors are according to DIN EN 61984:2009 connectors without breaking capacity (COC!).

Only insert
View in direction A
8:1

USB 2 Data+	1
shield USB 3 RX	2, 11
USB 3 RX-	3
USB 3 RX+	4
GND-	5
USB 3 TX+	6
USB 3 TX-	7
shield USB 3 TX	8, 12
USB 2 Data-	9
1 VBUS	10
description wire	pos.-nr.



General tolerances to DIN ISO 2768-mH				PE-modell-nr.:	
Toleration to DIN ISO 8015				CAD-nr.: 00058863	
2015	date	name	designation:	scale:	
prep.	16.02.	Unterblüm.	In-Line Receptacle	4:1	
app.				drawing nr.:	
norm.			K10W.M-P12WMMO-0000		copy
a	-----	10.04.15	Unterblüm.	replacment for:	
index	notice	date	name	nr.	



A perfect alliance.

Mouser Electronics

Authorized Distributor

Click to View Pricing, Inventory, Delivery & Lifecycle Information:

[ODU USA:](#)

[K10WAM-P12WMM0-0000](#)