

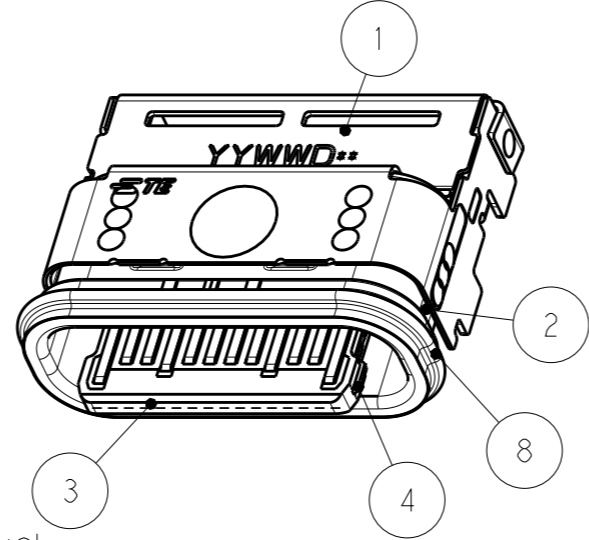
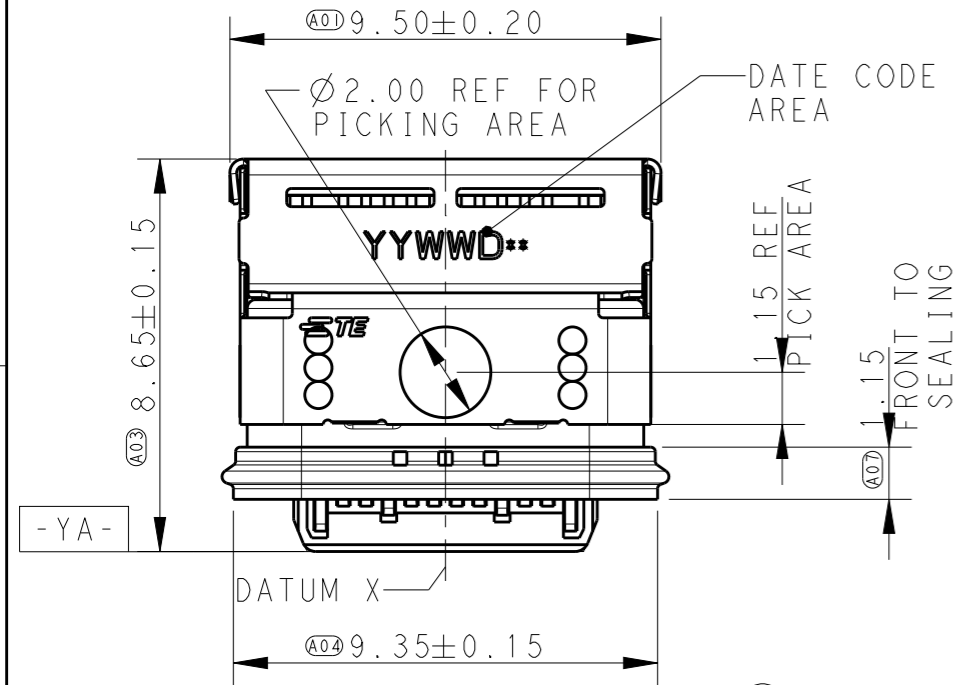
THIS DRAWING IS UNPUBLISHED. RELEASED FOR PUBLICATION

© COPYRIGHT 20 BY - ALL RIGHTS RESERVED.

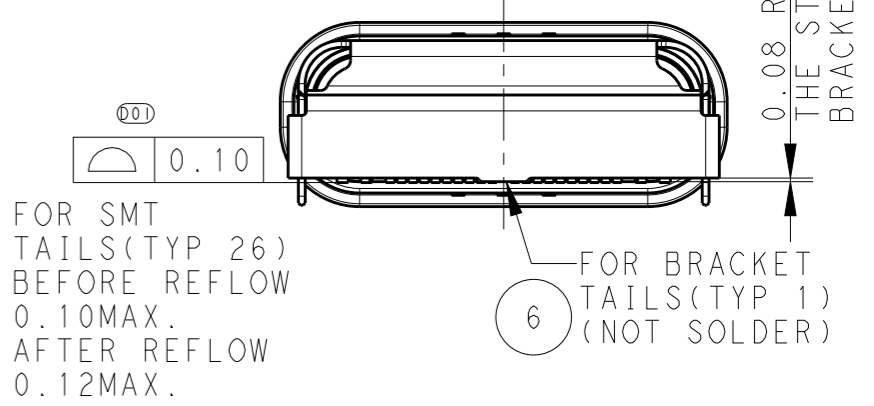
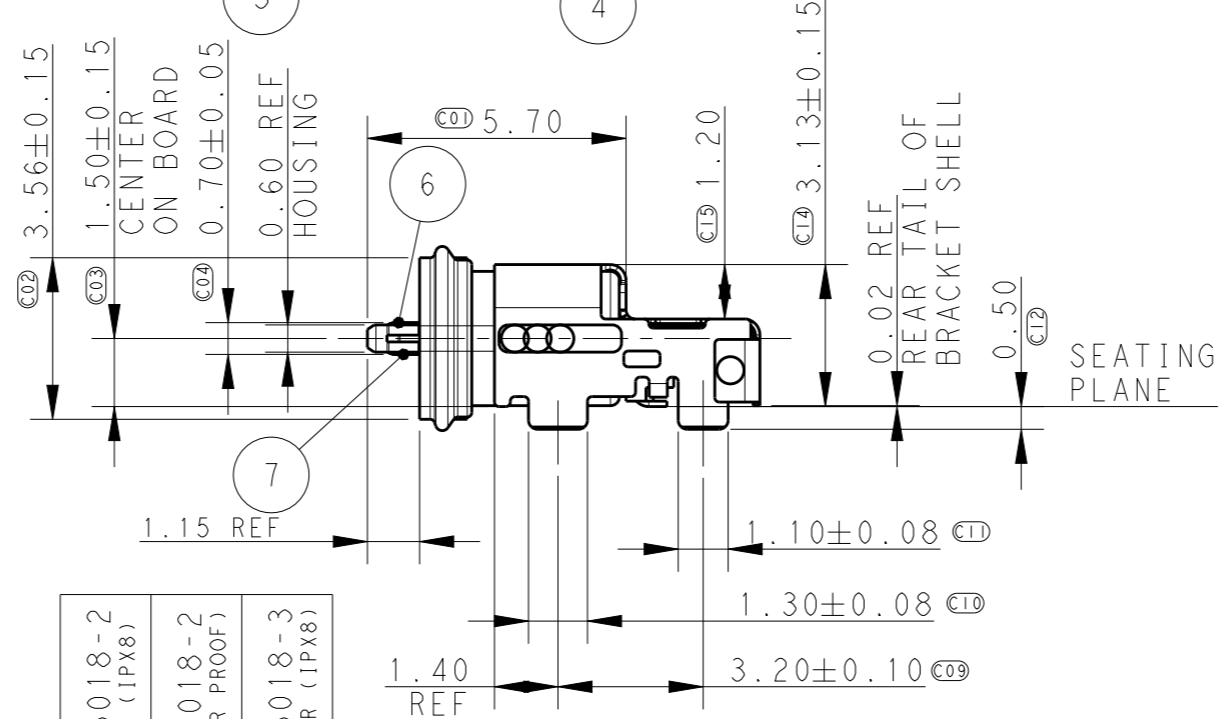
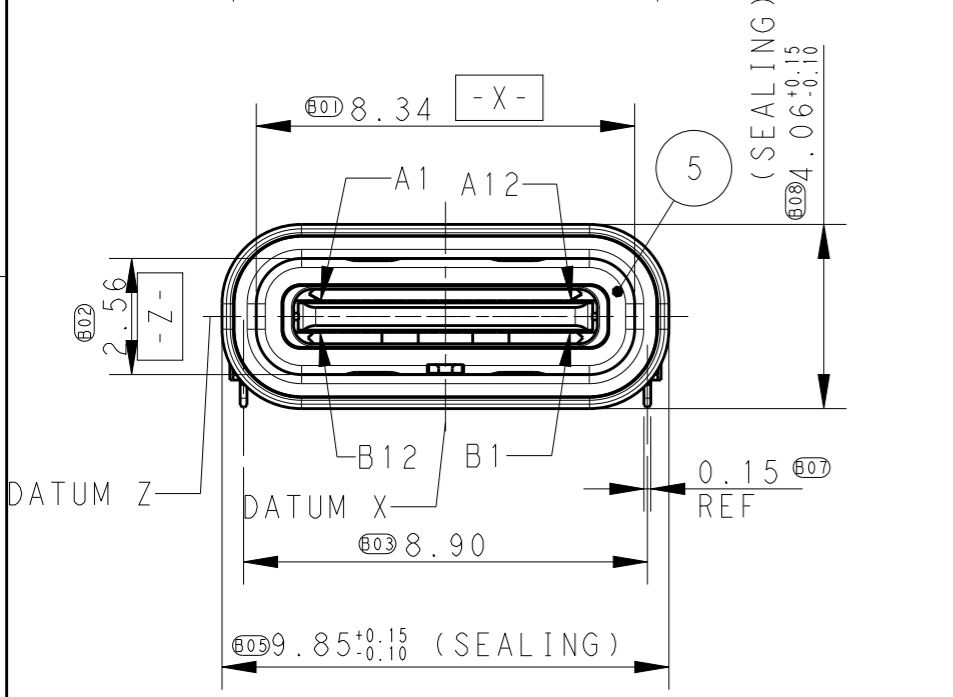
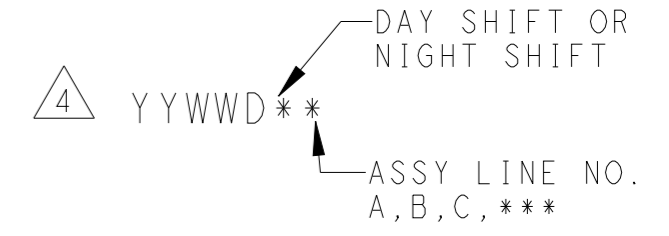
REVISIONS

P	LTR	DESCRIPTION	DATE	DWN	APVD
	A	INITIAL RELEASE	31OCT2018	J.M	S.L

SHOWN AS: 2305018-2



- NOTES:
1. MATERIAL : SEE TABLE "A".
 2. FINISH : SEE TABLE "A".
 3. PICKING AREA
 4. DATE CODE AREA
 5. SC = SHARP CORNER



2305018-2 (IPX8)	1-2305018-2 (NONE WATER PROOF)	2305018-3 GREEN COLOR (IPX8)
1	1	1
1	-	1
1	1	1
1	1	1
1	1	1
1	1	1
1	1	1
1	1	1
1	1	1
Q'TY	Q'TY	Q'TY

TABLE "A"

ITEM	DESCRIPTION	MATERIAL	REMARK	Q'TY	Q'TY	Q'TY
9	POTTING	SILICONE		1	1	1
8	SEALING	SILICONE		1	-	1
7	LOWER CONTACT	COPPER ALLOY OR EQUIVALENT	FUNCTION AREA: Au 0.75um PLATED. SOLDER AREA: GOLD FLASH PLATED. OVERALL: NI PLATED	1	1	1
6	UPPER CONTACT	COPPER ALLOY OR EQUIVALENT		1	1	1
5	INNER SHELL	STAINLESS STEEL OR EQUIVALENT	CLEANING	1	1	1
4	MID-PLATE	STAINLESS STEEL	NI PLATED ON SOLDER TAIL	1	1	1
3	MAIN IM	HIGH TEMPERATURE THERMO PLASTIC	GREEN, UL94V-0 BLACK, UL94V-0	1	1	1
2	MAIN SHELL	STAINLESS STEEL OR EQUIVALENT	CLEANING	1	1	1
1	BRACKET SHELL	STAINLESS STEEL	NI PLATED	1	1	1
ITEM	DESCRIPTION	MATERIAL	REMARK	Q'TY	Q'TY	Q'TY

THIS DRAWING IS A CONTROLLED DOCUMENT.

DIMENSIONS:	TOLERANCES UNLESS OTHERWISE SPECIFIED:
mm	
	0 PLC ±0.5
	1 PLC ±0.25
	2 PLC ±0.25
	3 PLC ±0.25
	4 PLC ±0.25
	ANGLES ±3°
MATERIAL	FINISH
-	-

DWN	12-DEC-2016
CHK	SOLDIER ZHANG
APVD	12-DEC-2016
PRODUCT SPEC	HAPYE WU
APPLICATION SPEC	HAPYE WU
108-115129-2	
501-115141-2	
CUSTOMER DRAWING	

STE TE Connectivity

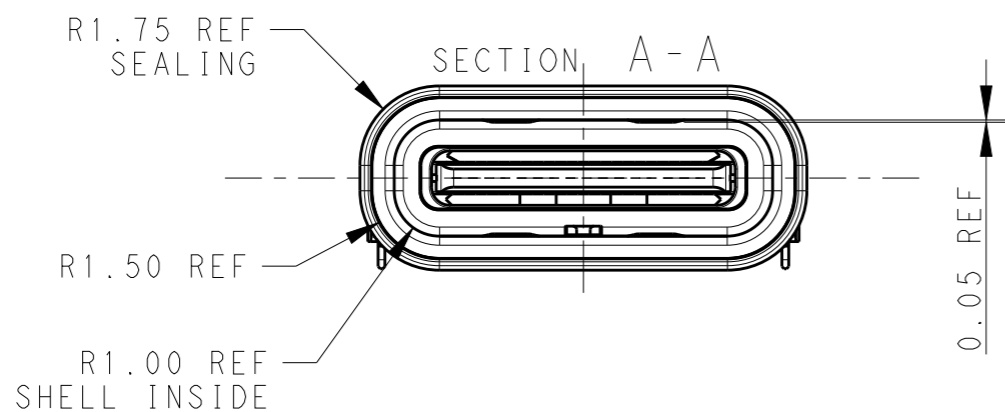
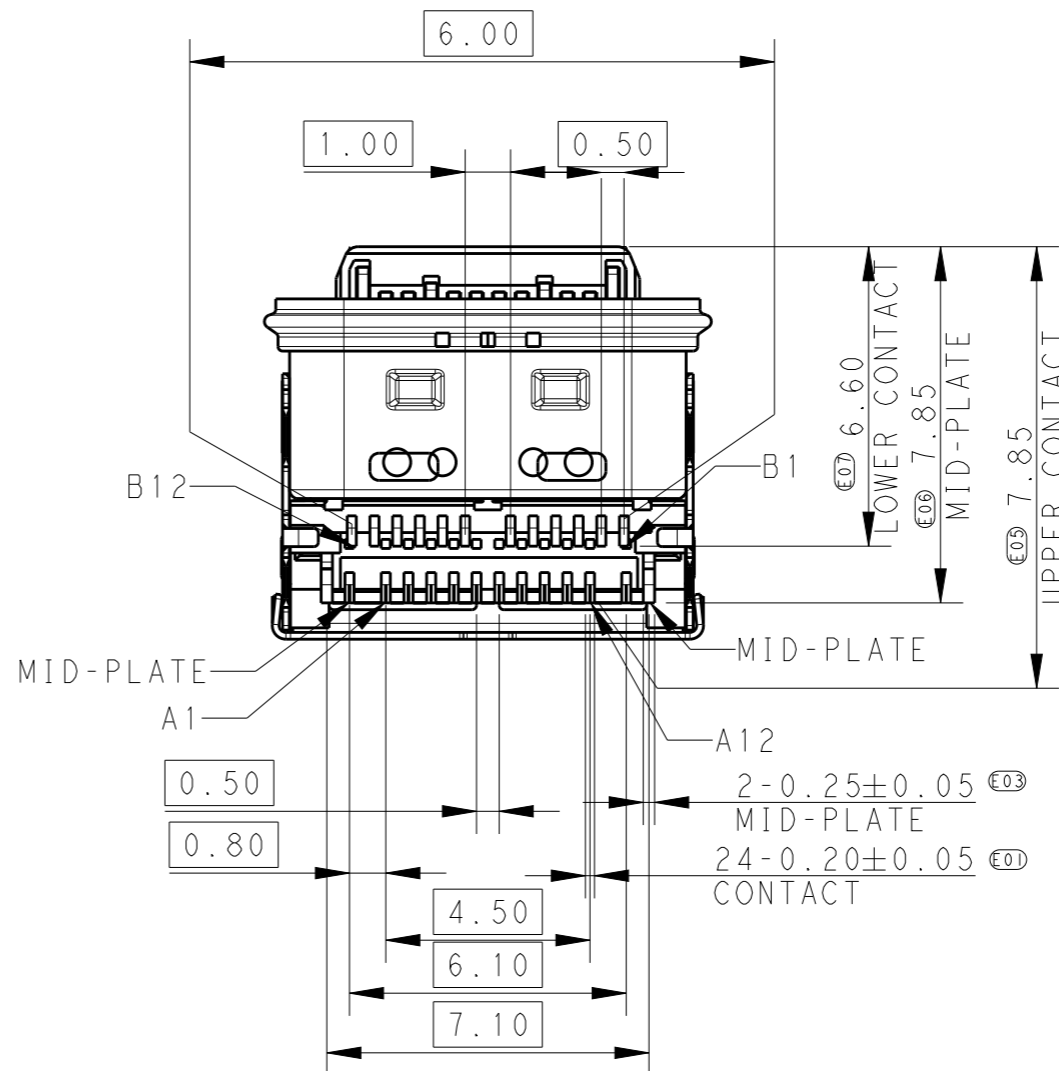
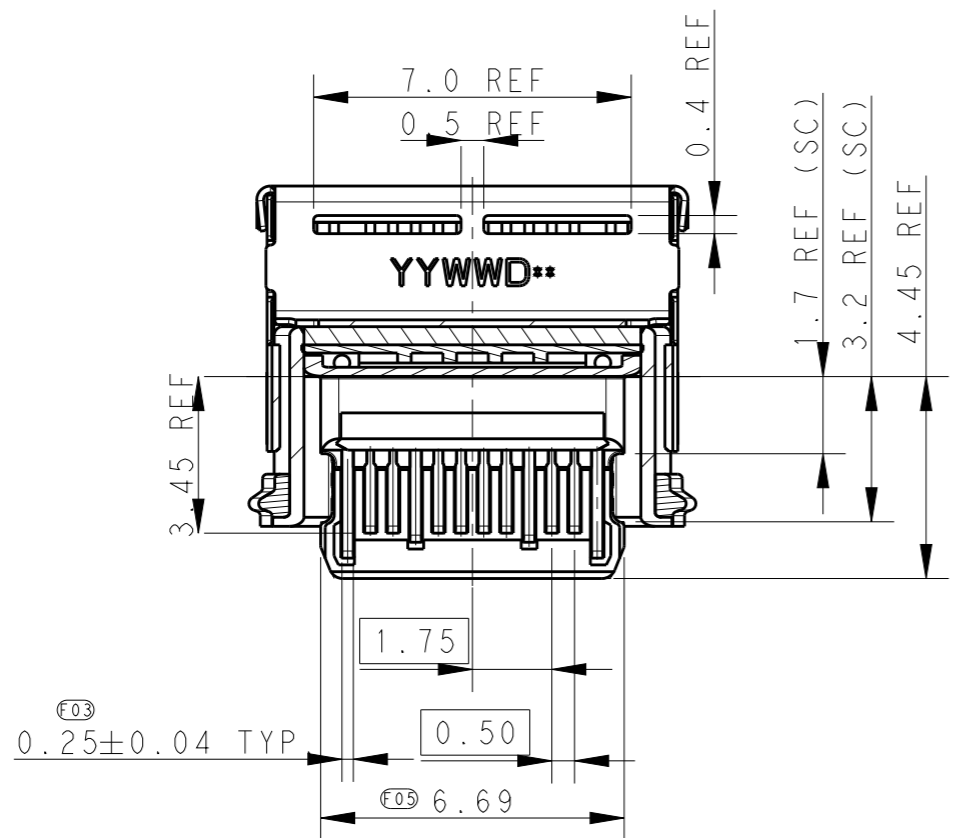
NAME: TYPE C RECEPTACLE ON BOARD


SIZE: A3 CAGE CODE: - DRAWING NO: C-2305018 RESTRICTED TO: -

SCALE: 7:1 SHEET: 1 OF 6 REV: A2

P	LTR	DESCRIPTION	DATE	DWN	APVD
-	-	SEE SHEET 1	-	-	-

SHOWN AS: 2305018-2



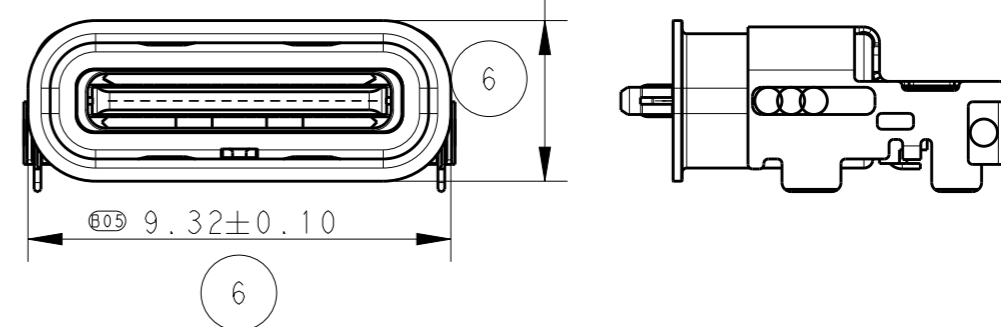
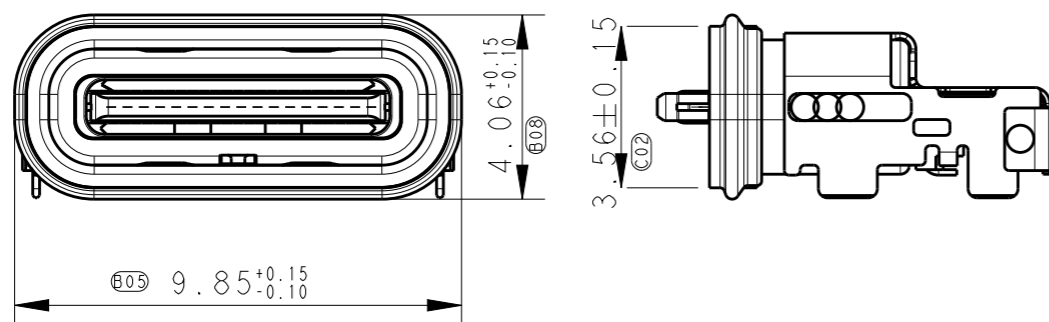
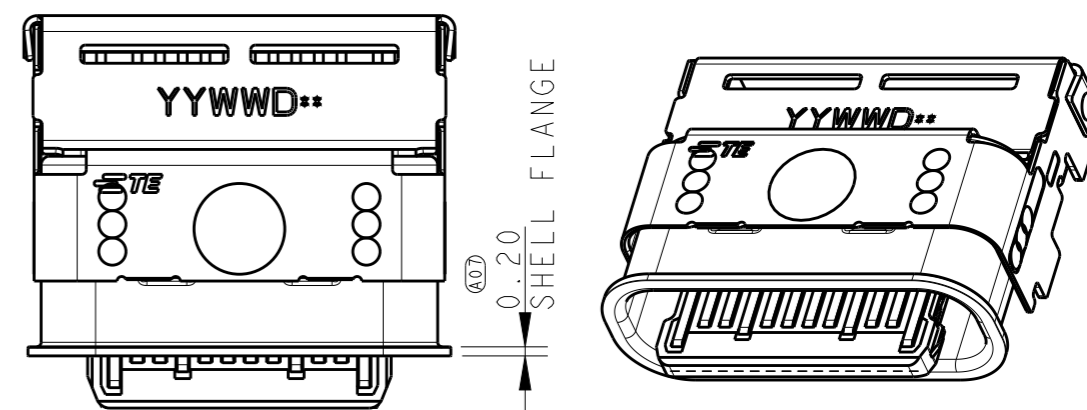
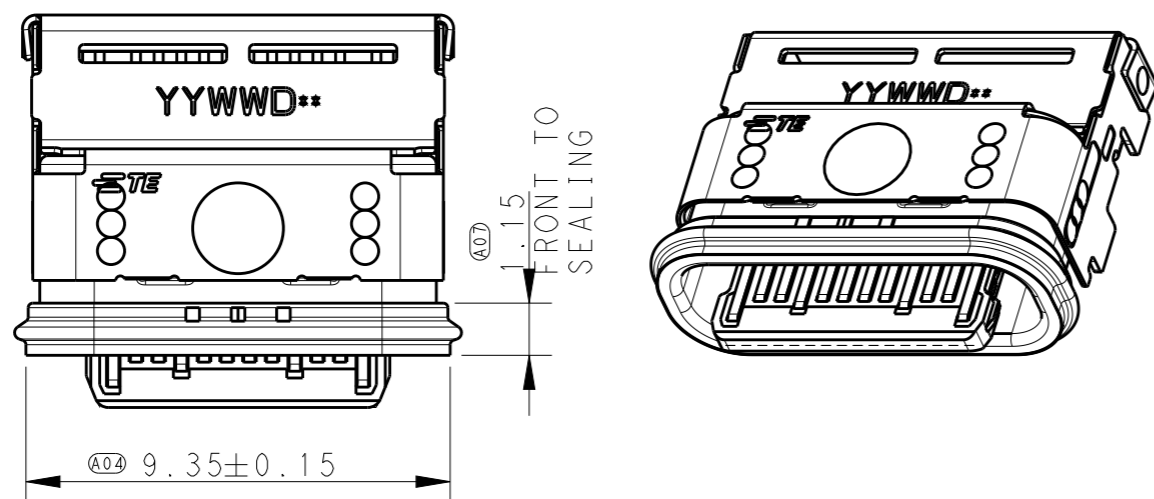
THIS DRAWING IS A CONTROLLED DOCUMENT.		DWN SOLDIER ZHANG 12-DEC-2016	 TE Connectivity	
DIMENSIONS: mm		CHK HAPYE WU 12-DEC-2016		
TOLERANCES UNLESS OTHERWISE SPECIFIED:		APVD HAPYE WU 12-DEC-2016	NAME TYPE C RECEPTACLE ON BOARD	
0 PLC ±0.5 1 PLC ±0.25 2 PLC ±0.25 3 PLC ±0.25 4 PLC ±0.25 ANGLES ±3°		PRODUCT SPEC 108-115129-2	SIZE A3	
MATERIAL		APPLICATION SPEC 501-115141-2	CAGE CODE -	DRAWING NO C-2305018
FINISH		WEIGHT -	RESTRICTED TO -	
-		CUSTOMER DRAWING	SCALE 7:1	SHEET 2 OF 6
-			REV A2	

REVISIONS

P	LTR	DESCRIPTION	DATE	DWN	APVD
-	-	SEE SHEET 1	-	-	-

SHOWN AS: 2305018-2, 2305018-3

SHOWN AS: 1-2305018-2



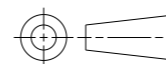
THIS DRAWING IS A CONTROLLED DOCUMENT.

DWN 12-DEC-2016
SOLDIER ZHANG
CHK 12-DEC-2016
HAPYE WU
APVD 12-DEC-2016
HAPYE WU



DIMENSIONS:

mm



TOLERANCES UNLESS OTHERWISE SPECIFIED:

- 0 PLC ±0.5
- 1 PLC ±0.25
- 2 PLC ±0.25
- 3 PLC ±0.25
- 4 PLC ±0.25
- ANGLES ±3°

MATERIAL

FINISH

PRODUCT SPEC 108-115129-2

APPLICATION SPEC 501-115141-2

WEIGHT

NAME TYPE C RECEPTACLE ON BOARD

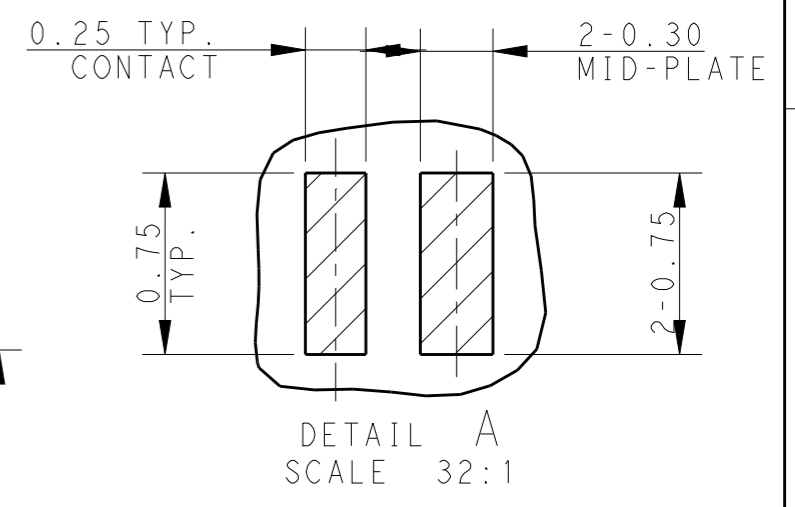
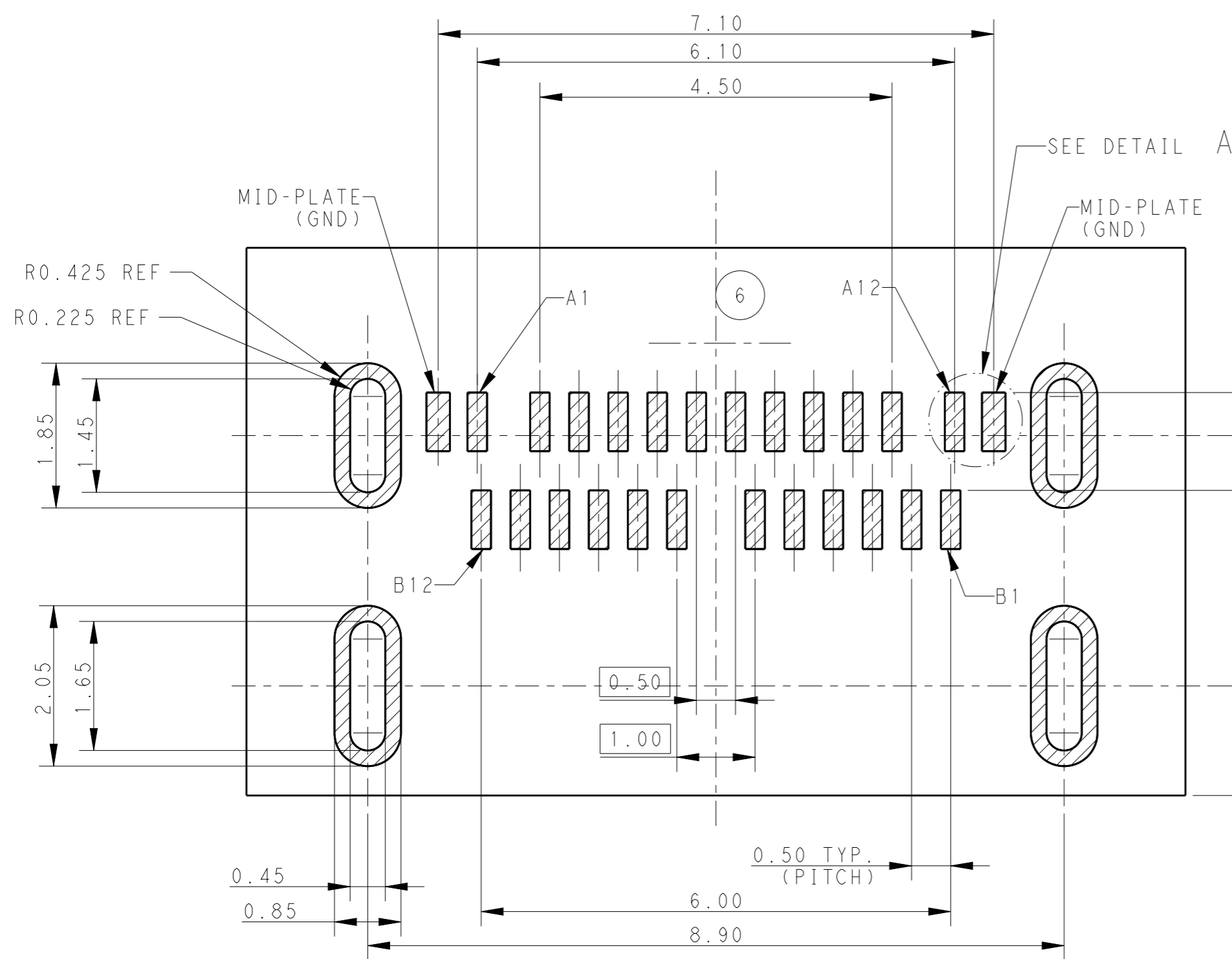
SIZE	CAGE CODE	DRAWING NO	RESTRICTED TO
A3	-	C-2305018	-

CUSTOMER DRAWING

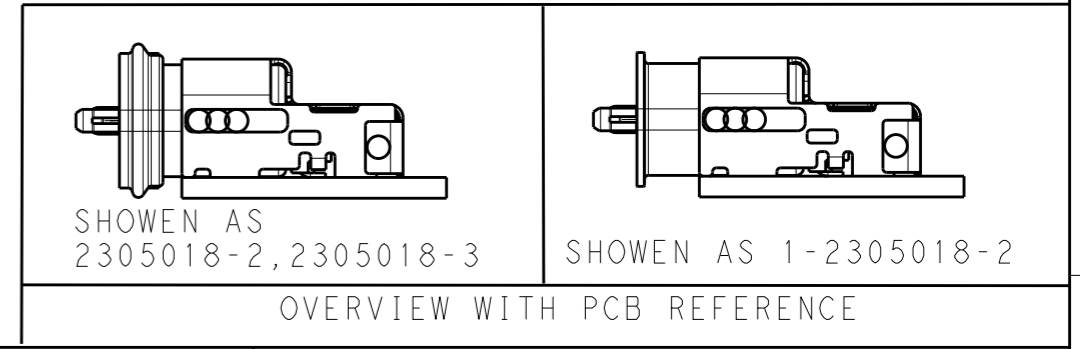
SCALE 7:1 SHEET 3 OF 6 REV A2

THIS DRAWING IS UNPUBLISHED. RELEASED FOR PUBLICATION 20
 © COPYRIGHT 20 BY - ALL RIGHTS RESERVED.

REVISIONS					
P	LTR	DESCRIPTION	DATE	DWN	APVD
-	-	SEE SHEET 1	-	-	-



SCALE 16:1
 PCB LAYOUT REFERENCE THICKNESS 0.55 mm
 GENERAL TOLERANCE: ± 0.03



RECEPTACLE PIN LABEL:

A1	A2	A3	A4	A5	A6	A7	A8	A9	A10	A11	A12
GND	TX1+	TX1-	VBUS	CC1	D+	D-	SBU1	VBUS	RX2-	RX2+	GND
GND	RX1+	RX1-	VBUS	SBU2	D-	D+	CC2	VBUS	TX2-	TX2+	GND
B12	B11	B10	B9	B8	B7	B6	B5	B4	B3	B2	B1

THIS DRAWING IS A CONTROLLED DOCUMENT.	
DIMENSIONS: mm	TOLERANCES UNLESS OTHERWISE SPECIFIED:
	0 PLC ±0.5
	1 PLC ±0.25
	2 PLC ±0.25
	3 PLC ±0.25
	4 PLC ±0.25
	ANGLES ±3°
MATERIAL	FINISH
-	-

DWN	12-DEC-2016
SOLDIER ZHANG	
CHK	12-DEC-2016
HAPYE WU	
APVD	12-DEC-2016
HAPYE WU	
PRODUCT SPEC	108-115129-2
APPLICATION SPEC	501-115141-2
WEIGHT	-
CUSTOMER DRAWING	

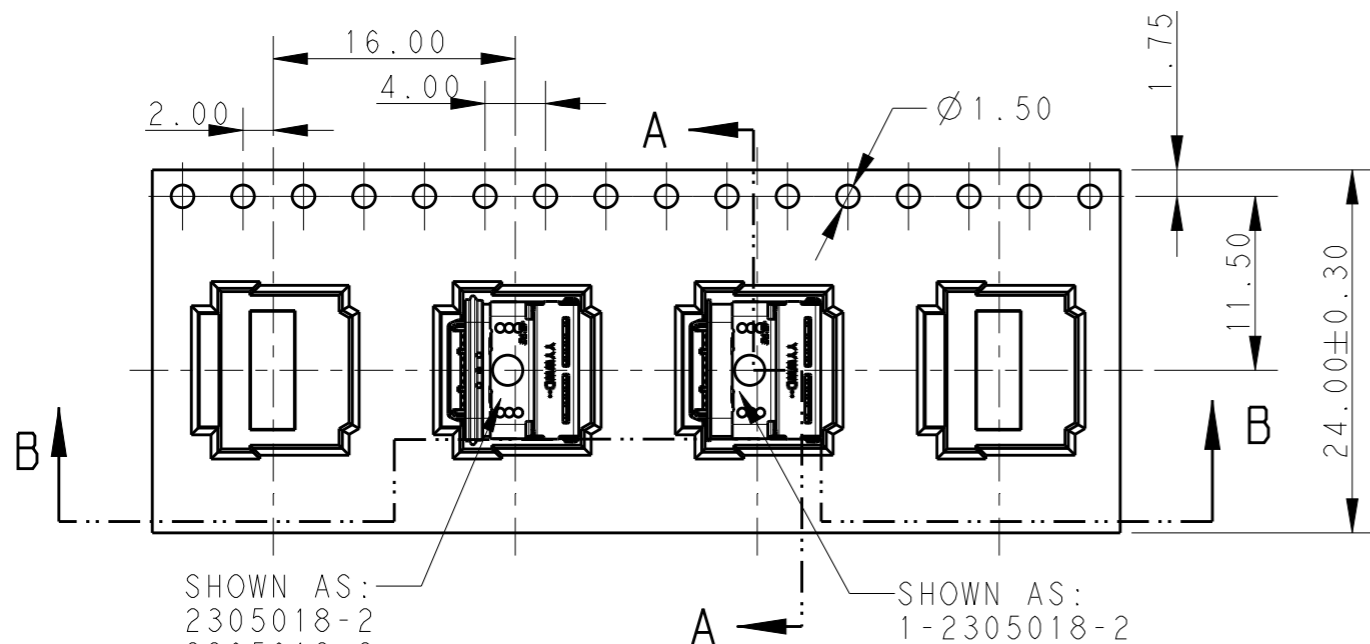
TE Connectivity		NAME	
		TYPE C RECEPTACLE ON BOARD	
SIZE	CAGE CODE	DRAWING NO	RESTRICTED TO
A3	-	©-2305018	-
SCALE 7:1		SHEET 4 OF 6	REV A2

REVISIONS

P	LTR	DESCRIPTION	DATE	DWN	APVD
-	-	SEE SHEET 1	-	-	-

SHOWN AS: 2305018-2, 2305018-3, 1-2305018-2

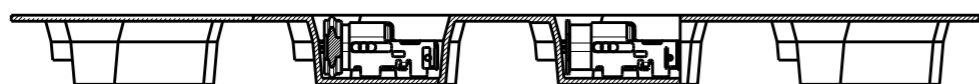
CUSTOMER FEED DIRECTION →



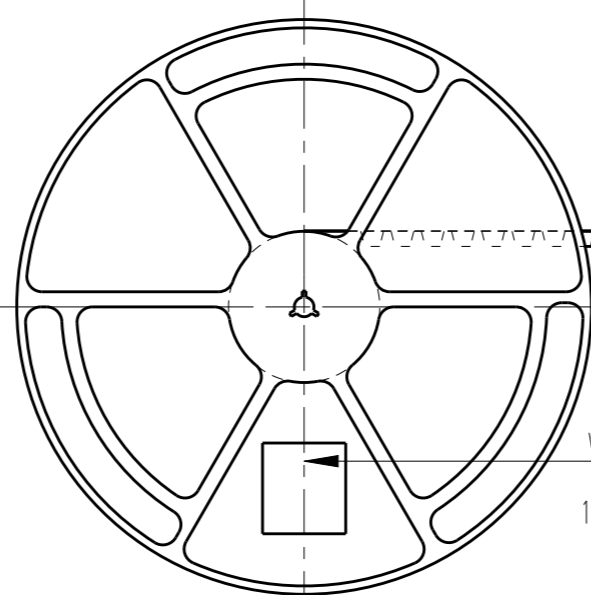
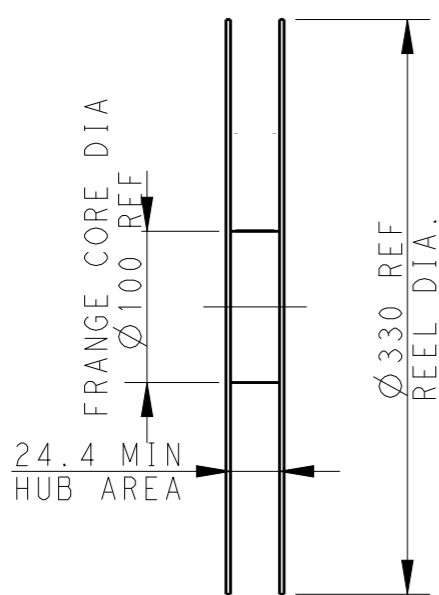
SECTION A-A

NOTE:

1. PACKAGE SPECIFIED PER EIA-481 UNLESS OTHERWISE.
2. EMBOSS: ANTISTATIC MATERIAL, COLOR: TRANSPARENT
3. COVER: ANTISTATIC MATERIAL, COLOR: TRANSPARENT AND COVER TYPE IS THERMO-COMPRESSON SEALING.
4. USER DIRECTION OF UNREELING.



SECTION B-B



USER PULL OUT DIRECTION →

WITHOUT CHARGE 15PCS REF WITH PRODUCT CHARGE 800PCS WITHOUT CHARGE 10PCS REF

THIS DRAWING IS A CONTROLLED DOCUMENT.

DIMENSIONS: mm	TOLERANCES UNLESS OTHERWISE SPECIFIED: 0 PLC ±0.5 1 PLC ±0.25 2 PLC ±0.25 3 PLC ±0.25 4 PLC ±0.25 ANGLES ±3°
MATERIAL	FINISH

DWN	12-DEC-2016
CHK	SOLDIER ZHANG
APVD	12-DEC-2016
PRODUCT SPEC	HAPYE WU
APPLICATION SPEC	108-115129-2
WEIGHT	501-115141-2
CUSTOMER DRAWING	

		TE Connectivity	
		NAME TYPE C RECEPTACLE ON BOARD	
SIZE	CAGE CODE	DRAWING NO	RESTRICTED TO
A3	-	©-2305018	-
SCALE		SHEET	REV
NA		5 OF 6	A2

4

3

2

1

THIS DRAWING IS UNPUBLISHED.

RELEASED FOR PUBLICATION

20

© COPYRIGHT 20 BY -

ALL RIGHTS RESERVED.

REVISIONS

P	LTR	DESCRIPTION	DATE	DWN	APVD
-	-	SEE SHEET 1	-	-	-

RECOMMENDED OPENING DIMENSIONS
OF CASE MATING AREA WITH
SEALING RING

SECTION Y-L
SCALE: 5:1

SECTION X-L
SCALE: 5:1

SECTION Z-L
SCALE: 5:1

THIS DRAWING IS A CONTROLLED DOCUMENT.

DWN 27-AUG-2018

SOLDIER ZHANG

CHK 27-AUG-2018

SIMON LI

APVD 27-AUG-2018

SIMON LI

PRODUCT SPEC

108-115129-2

APPLICATION SPEC

501-115141-2

WEIGHT -

CUSTOMER DRAWING

TE Connectivity

NAME
TYPE C RECEPTACLE
ON BOARD

RESTRICTED TO

SIZE A3 CAGE CODE - DRAWING NO. C-2305018

SCALE 6:1 SHEET 6 OF 6 REV A2

DIMENSIONS:

mm

TOLERANCES UNLESS
OTHERWISE SPECIFIED:

0 PLC	±0.5
1 PLC	±0.25
2 PLC	±0.25
3 PLC	±0.25
4 PLC	±0.25
ANGLES	±3°

FINISH

-

-

1470-19 (3/13)

Mouser Electronics

Authorized Distributor

Click to View Pricing, Inventory, Delivery & Lifecycle Information:

[TE Connectivity:](#)

[2305018-2](#)