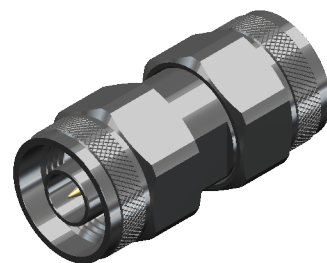
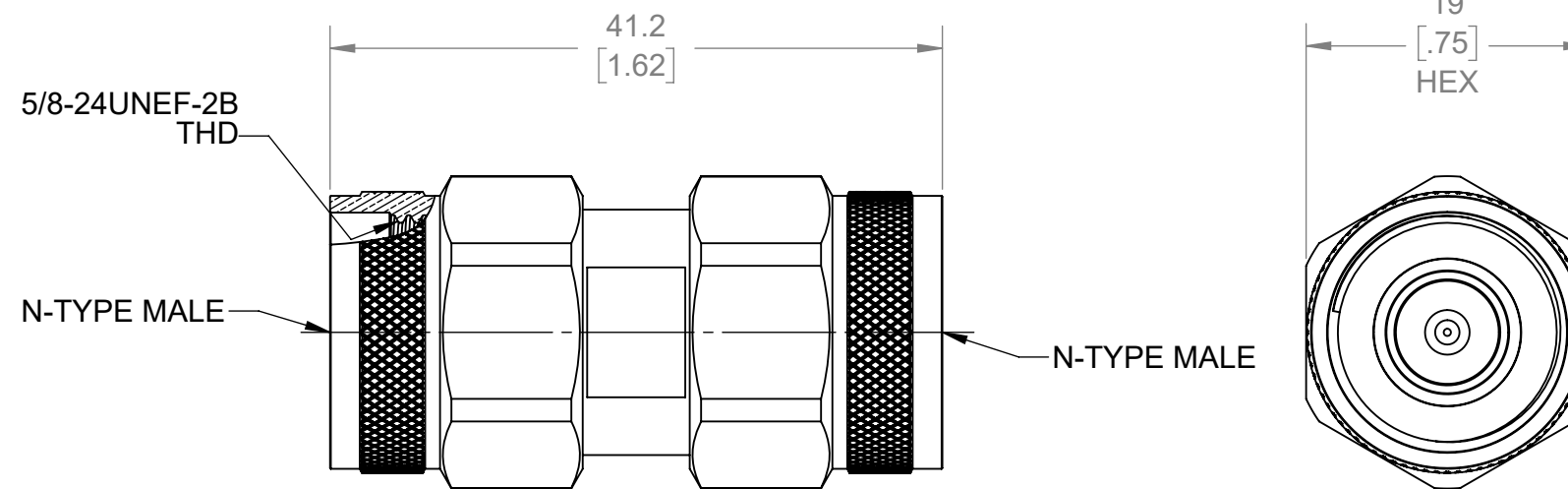
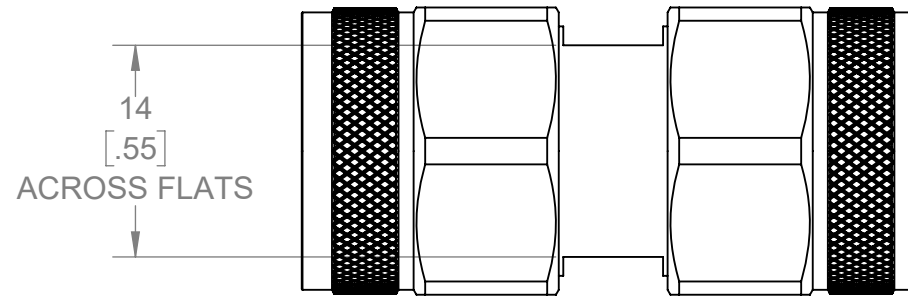


THIS IS ISSUED IN STRICT CONFIDENCE THAT IT IS NOT USED AS A BASIS FOR MANUFACTURE OR SALE AND THAT IT IS NOT COPIED, REPRINTED OR DISCLOSED TO A THIRD PARTY EITHER WHOLLY OR IN PART WITHOUT THE PRIOR WRITTEN CONSENT OF CAL TEST ELECTRONICS, INC.

NOTES:

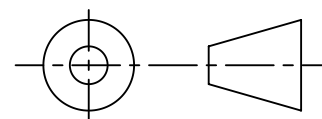
1. ALL SPECIFICATIONS SUBJECT TO CHANGE WITHOUT NOTICE.
2. ADAPTER TO MEET OR EXCEED ALL SPECIFICATIONS PER MIL-39012.
3. MATING DIMENSIONS IN ACCORDANCE WITH MIL-STD-348.
4. VSWR AND FREQUENCY RANGE SPECIFICATIONS ARE FOR REFERENCE AND ARE DEPENDANT ON CABLE TYPE AND OTHER APPLICATION SPECIFIC CONDITIONS.
5. MATERIAL:
 - BODY AND COUPLING NUT: BRASS, WHITE BRONZE PLATED
 - CENTER CONTACT: BeCu, GOLD PLATED
 - DIELECTRIC: PTFE
6. ELECTRICAL:
 - IMPEDANCE: 50 Ω
 - FREQUENCY: DC - 9 GHz
 - INSULATION RESISTANCE: 5,000 MΩ MIN @ SEA LEVEL
 - DIELECTRIC WITHSTANDING VOLTAGE: 1,000 V MAX
 - VSWR:
 - ≤1.04:1 @ DC - 2 GHz
 - 1.07:1 @ 2 - 4 GHz
 - 1.20:1 @ 4 - 9 GHz
 - INSERTION LOSS: 0.5 dB @ 9 GHz
7. MECHANICAL:
 - TEMPERATURE RANGE: -55°C TO +165°C
8. COUNTRY OF ORIGIN: CHINA
9. RoHS AND REACH COMPLIANT.

REVISIONS			
REV.	DESCRIPTION	DATE	APPROVED
A	INITIAL RELEASE	7/22/2021	B. HANSEN



ISOMETRIC VIEW
FULL SCALE

THIRD ANGLE PROJECTION



REFERENCE

CT3351A	IN-SERIES	IN-LINE
MODEL NUMBER	CONFIGURATION	NOTES / REFERENCE

MODEL NUMBER TABLE

UNLESS OTHERWISE SPECIFIED DIMENSIONS ARE IN MILLIMETERS TOLERANCES ARE: X.X = ±0.5 X.X* = ±0.5* X.XX = ±0.25 X.XXX = ±0.125 DO NOT SCALE DRAWING	PROJECT NO. A598		22820 Savi Ranch Prky. Yorba Linda, CA 92887 USA
	APPROVALS	DATE	
MATERIAL SEE NOTES	DRAWN WDH	7/22/2021	TITLE ADAPTER, N-TYPE MALE TO N-TYPE MALE, 50 Ω, INSTRUMENT GRADE
TREATMENT N/A	CHECKER		
FINISH SEE NOTES	ENGR. B. HANSEN	7/7/2021	SIZE B CAGE CODE 43F45 DWG. NO. CT3351A REV. A
	DESIGN ACTIVITY		SCALE 2:1 SHEET 1 OF 1