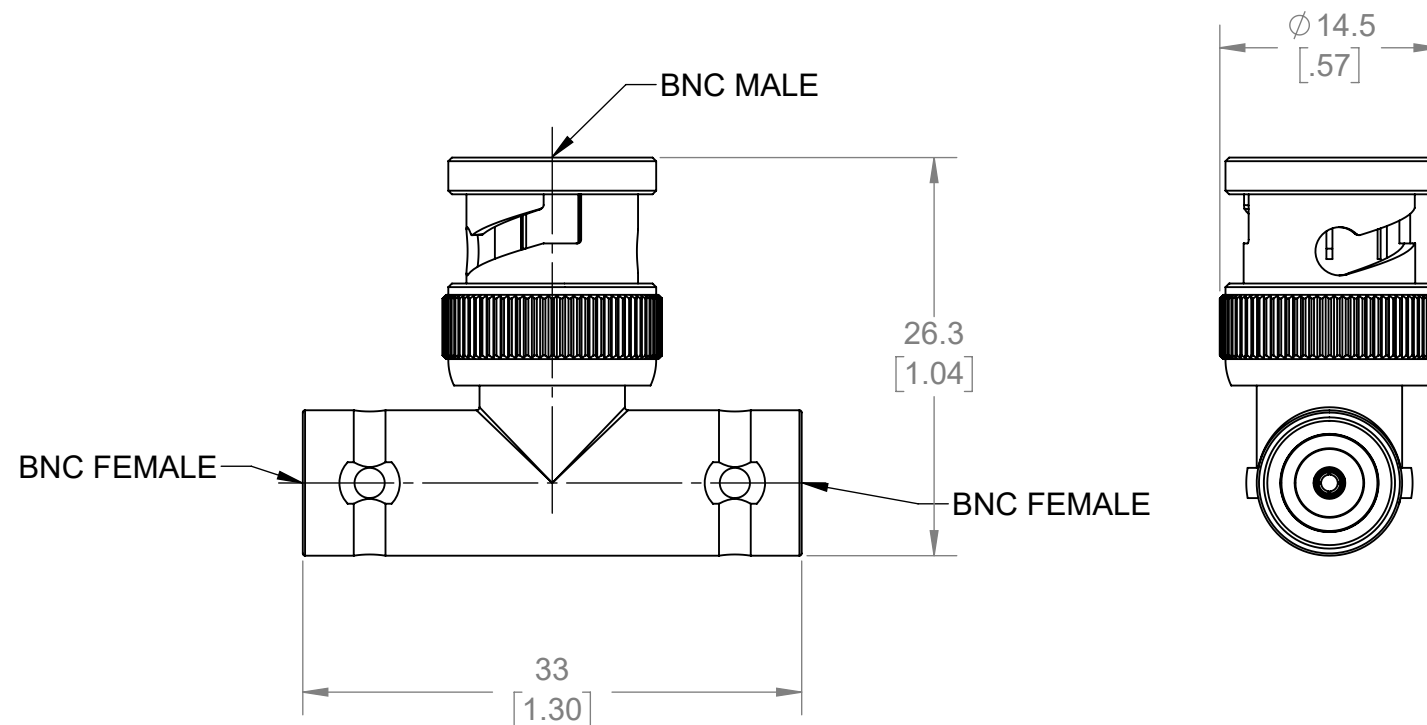


THIS IS ISSUED IN STRICT CONFIDENCE THAT IT IS NOT USED AS A BASIS FOR MANUFACTURE OR SALE AND THAT IT IS NOT COPIED, REPRINTED OR DISCLOSED TO A THIRD PARTY EITHER WHOLLY OR IN PART WITHOUT THE PRIOR WRITTEN CONSENT OF CAL TEST ELECTRONICS, INC.

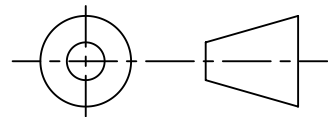
NOTES:

1. ALL SPECIFICATIONS SUBJECT TO CHANGE WITHOUT NOTICE.
2. ADAPTER TO MEET OR EXCEED ALL SPECIFICATIONS PER MIL-39012.
3. MATING DIMENSIONS IN ACCORDANCE WITH MIL-STD-348.
4. VSWR AND FREQUENCY RANGE SPECIFICATIONS ARE FOR REFERENCE AND ARE DEPENDANT ON CABLE TYPE AND OTHER APPLICATION SPECIFIC CONDITIONS.
5. MATERIAL:
  - BODY: BRASS, WHITE BRONZE PLATED.
  - CENTER CONTACT: BeCu, GOLD PLATED
  - DIELECTRIC: PTFE
  - GASKET: SILICONE RUBBER
6. ELECTRICAL:
  - IMPEDANCE: 50 Ω
  - FREQUENCY: DC - 3 GHz
  - INSULATION RESISTANCE: 5,000 MΩ MIN
  - DIELECTRIC WITHSTANDING VOLTAGE: 1,000 V MAX @ SEA LEVEL
7. MECHANICAL:
  - TEMPERATURE RANGE: -45°C TO +85°C
8. COUNTRY OF ORIGIN: CHINA
9. RoHS AND REACH COMPLIANT.

REVISIONS			
REV.	DESCRIPTION	DATE	APPROVED
A	INITIAL RELEASE	7/26/2021	B. HANSEN



ISOMETRIC VIEW  
FULL SCALE

CT3341A	IN-SERIES	TEE
MODEL NUMBER	CONFIGURATION	NOTES / REFERENCE
MODEL NUMBER TABLE		
THIRD ANGLE PROJECTION 	UNLESS OTHERWISE SPECIFIED DIMENSIONS ARE IN MILLIMETERS TOLERANCES ARE: X.X = ±0.5    X.X* = ±0.5* X.XX = ±0.25 X.XXX = ±0.125 DO NOT SCALE DRAWING	PROJECT NO. <b>A598</b>
	MATERIAL SEE NOTES	APPROVALS DRAWN: WDH    DATE: 7/26/2021
REFERENCE	TREATMENT N/A	CHECKER
FINISH SEE NOTES	ENGR. B. HANSEN    7/26/2021	DESIGN ACTIVITY
TITLE <b>ADAPTER, BNC TEE, FEMALE TO MALE TO FEMALE, 50 Ω, INSTRUMENT GRADE</b>		METRIC
SIZE <b>B</b>		CAGE CODE <b>43F45</b>
SCALE 2:1		DWG. NO. <b>CT3341A</b>
SHEET 1 OF 1		REV. <b>A</b>

**Cal Test** ELECTRONICS  
22820 Savi Ranch Prky.  
Yorba Linda, CA 92887  
USA