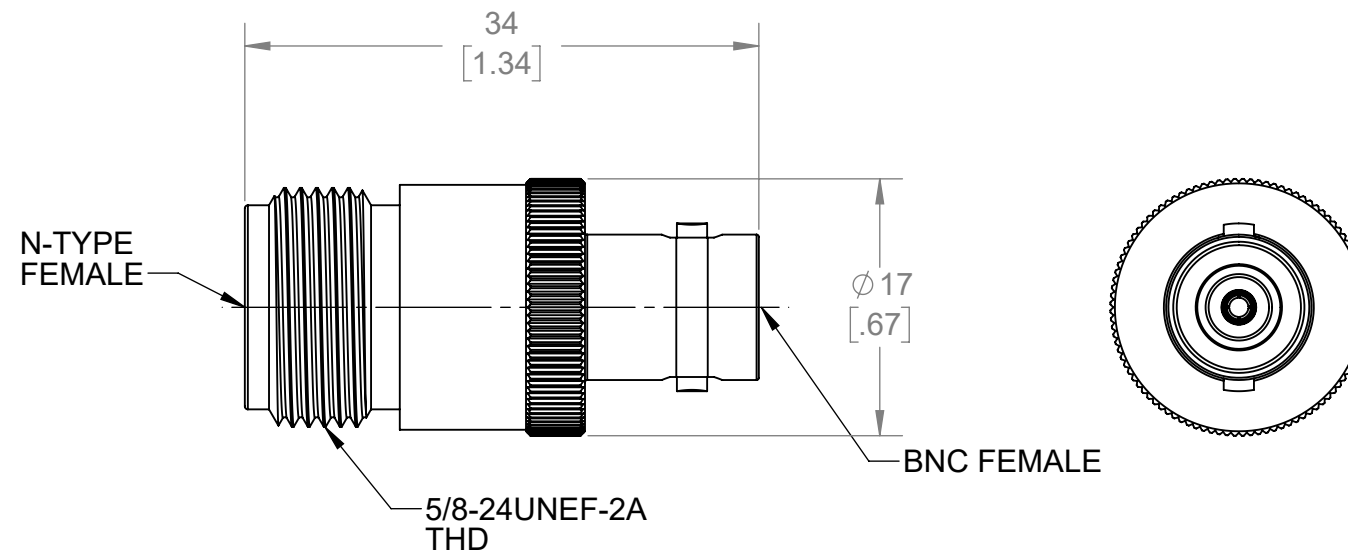


THIS IS ISSUED IN STRICT CONFIDENCE THAT IT IS NOT USED AS A BASIS FOR MANUFACTURE OR SALE AND THAT IT IS NOT COPIED, REPRINTED OR DISCLOSED TO A THIRD PARTY EITHER WHOLLY OR IN PART WITHOUT THE PRIOR WRITTEN CONSENT OF CAL TEST ELECTRONICS, INC.

REVISIONS			
REV.	DESCRIPTION	DATE	APPROVED
A	INITIAL RELEASE	7/1/2021	B. HANSEN

- NOTES:
- ALL SPECIFICATIONS SUBJECT TO CHANGE WITHOUT NOTICE.
 - ADAPTER TO MEET OR EXCEED ALL SPECIFICATIONS PER MIL-39012.
 - MATING DIMENSIONS IN ACCORDANCE WITH MIL-STD-348.
 - VSWR AND FREQUENCY RANGE SPECIFICATIONS ARE FOR REFERENCE AND ARE DEPENDANT ON CABLE TYPE AND OTHER APPLICATION SPECIFIC CONDITIONS.
 - MATERIAL:
 - BODY: BRASS, WHITE BRONZE PLATED.
 - CENTER CONTACT: BeCu, GOLD PLATED
 - DIELECTRIC: PTFE
 - ELECTRICAL:
 - IMPEDANCE: 50 Ω
 - FREQUENCY: DC - 4 GHz
 - INSERTION LOSS: 0.2 dB
 - INSULATION RESISTANCE: 5,000 MΩ MIN @ SEA LEVEL
 - DIELECTRIC WITHSTANDING VOLTAGE: 1,000 V MAX @ SEA LEVEL
 - VSWR: ≤1.20:1 @ 4 GHz
 - MECHANICAL:
 - TEMPERATURE RANGE: -55°C TO +155°C
 - COUNTRY OF ORIGIN: CHINA
 - RoHS AND REACH COMPLIANT.



ISOMETRIC VIEW
FULL SCALE

CT3348A	BETWEEN-SERIES	IN LINE
MODEL NUMBER	CONFIGURATION	NOTES / REFERENCE
PART NUMBER TABLE		
THIRD ANGLE PROJECTION	UNLESS OTHERWISE SPECIFIED DIMENSIONS ARE IN MILLIMETERS TOLERANCES ARE: X.X = ±0.5 X.X* = ±0.5* X.XX = ±0.25 X.XXX = ±0.125 DO NOT SCALE DRAWING	PROJECT NO. A598
	MATERIAL SEE NOTES	APPROVALS
	TREATMENT N/A	DATE 7/1/2021
REFERENCE	FINISH SEE NOTES	CHECKER
		ENGR. B. HANSEN 7/1/2021
		DESIGN ACTIVITY
		TITLE ADAPTER, BNC FEMALE TO N-TYPE FEMALE, 50 Ω, INSTRUMENT GRADE
		SIZE B
		CAGE CODE 43F45
		DWG. NO. CT3348A
		REV. A
		SCALE 2:1
		SHEET 1 OF 1