

SPECIFICATIONS

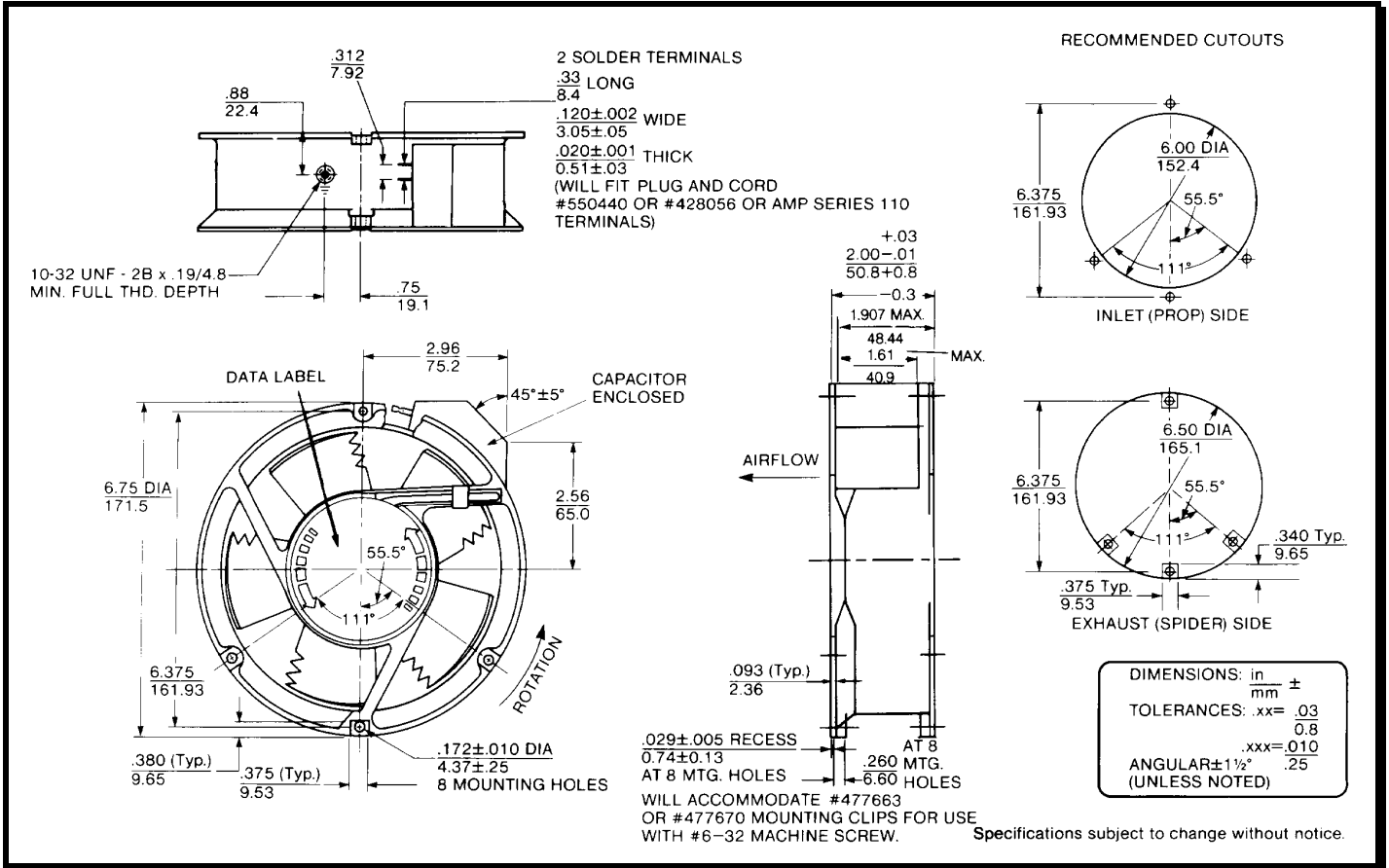
(RoHS Compliant)



Model Number: PT77B3
Part Number: 19028312A

Apr. 01, 2016

Mechanical Drawing:



Motor:

Frequency	= 50 / 60 Hz
Nominal Voltage	= 220 / 230 VAC
Nominal Running Current	= 0.130 / 0.140 amps
Max. Locked Rotor Current	= 0.250 amps
Running Power	= 26 / 30 watts
Average Speed	= 2880 / 3400 RPM
Bearings	= Ball
Air Flow	= 200 / 235 CFM
Acoustic	= 50.3 / 54.0 dBA

Construction:

Venturi: Single Piece Die-Cast Aluminum, Black
 Propeller: Plastic, Black, UL 94V-0

Life Expectancy:

This fan is designed for continuous duty life of 65,000 hours at 30°C.

Additional Features:

Permanent Split Capacitor Motor
 Half Speed Impedance Protection
 Full Speed Automatic Reset Thermal Protector
 Operating Temperature: -10°C to 70°C
 Storage Temperature: -40°C to 85°C

Termination:

2 Terminals

Agency Approvals:

UL