

### Need assistance?

Call us: 1-855-32-AAVID  
Email: [estore@aavid.com](mailto:estore@aavid.com)

[» Help Page](#)

### Check Distributor Stock

Enter a part number for pricing and availability.

- [» Request a Sample](#)
- [» Request a Quote](#)
- [» Ask an Engineer](#)

### The Fine Print

[Product Return Policy](#)  
[Terms & Conditions](#)  
[Privacy Policy](#)

## Mounting Kits

Pre-packaged in heat-sealed plastic bags for use on assembly line.

Stock mounting hardware using one number for better control and identification. Part number can be printed on the bag if requested.

Standard kit contains Thermalfilm insulator. For high maximum operating temperatures (550°C), order a mica insulator by adding suffix letter "M" to the part number. For electrical isolation and excellent thermal resistance, use In-Sil-8 for an insulator by adding suffix letter "S" to the part number.

Other insulator materials available include: hard anodized aluminum and aluminum oxide.

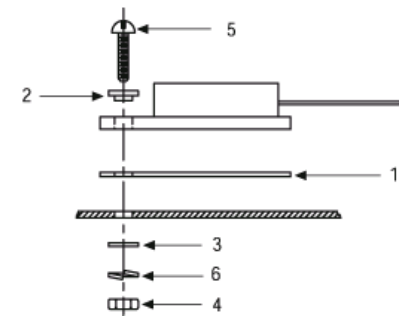
Refer to proper product section for drawings of insulators and shoulder washers used in the mounting kits.

### TO-220 Mounting Kit

Part Number	Properties	RoHS	PCN
4880G	Thermalfilm	<b>RoHS ✓ Compliant</b>	
4880MG	Mica Insulator	<b>RoHS ✓ Compliant</b>	
4880SG	Thermalsil III	<b>RoHS ✓ Compliant</b>	

Item	Qty	Description	Part Number
1	1	Insulator Thermalfilm Mica Thermalsil III	43-77-9 (56-77-9) (53-77-9)
2	1	Shoulder Washer	7721-7PPS
3	1	Flat Washer #4	MS15795-804
4	1	No. 4-40 UNC-2B Hex Nut	MS35649-244
5	1	No. 4-40 UNC-2A X 1/2 Long Phillips Pan Head Screw	MS51957-17
6	1	Lockwasher, No.4	MS35338-135

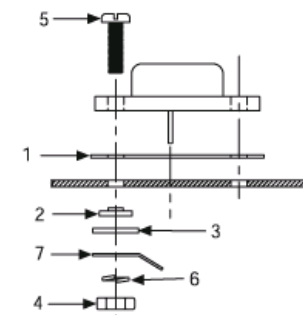
Note: Smooth side of flat washer should be placed against insulator when using the kit.



### TO-3 Mounting Kit No.4804G

Part Number	Properties	RoHS	PCN
4804G	Thermalfilm	<b>RoHS ✓ Compliant</b>	
4804MG	Mica Insulator	<b>RoHS ✓ Compliant</b>	
4804SG	Thermalsil III	<b>RoHS ✓ Compliant</b>	

Item	Qty	Description	Part Number
1	1	Insulator Thermalfilm Mica Thermalsil III	43-03-2 (56-03-2) (53-03-2)
2	2	Shoulder Washer	7721-5PPS
3	2	Flat Washer #6	MS15795-805
4	2	No. 6-32 UNC-2B Hex Nut	MS35649-264
5	2	No. 6-32 UNC-2A X 1/2 Long Phillips Pan Head Screw	MS51957-30
6	2	Lockwasher, No.4	MS35338-136
7	1	Solder Lug	322-156



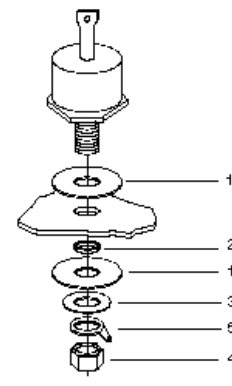
### DO-4 Mounting Kit No.4860

Item	Qty	No. 4860 (Thermalfilm) No. 4860M (Mica Insulator) No. 4860S (Thermalsil III) Description	Part Number
1	2	Insulator Thermalfilm Mica Thermalsil III	43-02-10 (56-02-10) (53-02-10)
2	1	PTFE Bushing	110
3	1	Flat Washer #10	AN960-C10L
4	1	No. 10-32 UNF-2B Hex Nut	MS35650-304
5	1	Terminal, Locking	MS77066-4

### DO-5 Mounting Kit No.4870

**RoHS Compliant**

Item	Qty	No. 4870 (Thermalfilm) No. 4870M (Mica Insulator) Description	Part Number
1	2	Insulator: Thermalfilm Mica Thermalsil III	43-02-25 (56-02-93) (53-02-25)
2	1	PTFE Bushing	113
3	1	Flat Washer #1/4	AN960-C416L
4	1	No. 1/4-32 UNF-2B Hex Nut	MS51972-1
5	1	Terminal, Locking	MS77069-3



#### TO-66 Mounting Kit No.4813

Item	Qty	No. 4813 (Thermalfilm)	Part Number
1	1	Insulator: Thermalfilm	43-66-2
2	2	Shoulder Washer	7721-6PPS
3	2	Flat Washer #6	MS15795-803
4	2	No.4-40 UNC-2B Hex Nut	MS35649-244
5	2	No. 4-40 UNC-2A X 1/2 Long PPH Screw	MS1957-17
6	2	Lockwasher, No.6	MS35338-135
7	1	Solder Lug	322-.144

### Customer Assistance

- Contact Us
- Get Design Assistance
- Find a Distributor
- Find a Sales Rep
- Request a Quote
- Placing an Order
- Terms and Conditions
- Returns

### Popular Products

- Fans
- Extrusions
- Board Level
- Liquid Cooling
- Heat Pipe Technology
- Heat Sink Accessories
- Interface Materials

### Our Company

- News and Events
- Management Team
- Worldwide Locations
- Directions to USA Headquarters
- Disclaimer
- Customer Survey
- Privacy Policy
- Careers

### Connect with Aavid


USA: 1.855.32.AAVID Europe: 39.051.764002 Asia: 86.21.6115.2000 x 8122