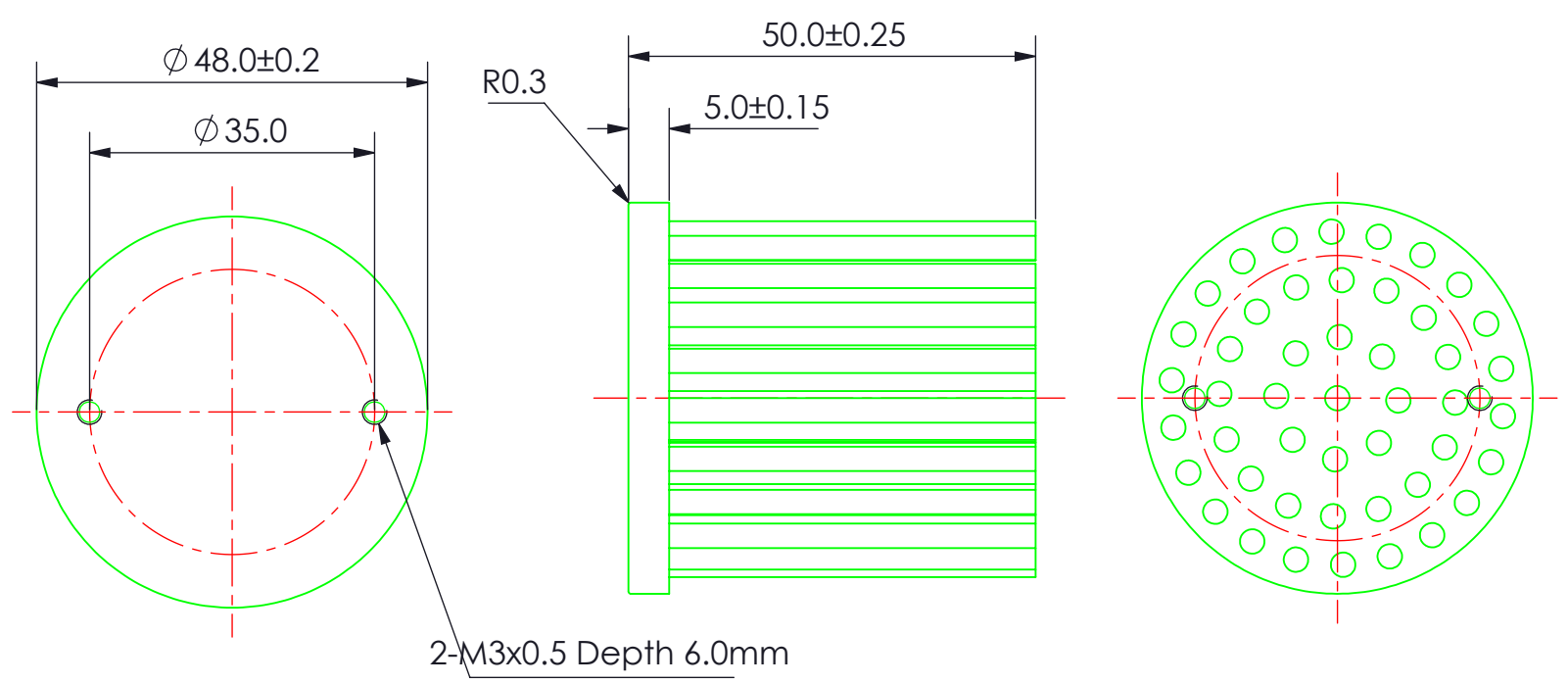


8 7 6 5 4 3 2 1

D  
C  
B  
A



D  
C  
B  
A

<p><b>PROPRIETARY AND CONFIDENTIAL</b></p> <p>THE INFORMATION CONTAINED IN THIS DRAWINGS IS THE SOLE PROPERTY OF WAKEFIELD-VETTE. ANY REPRODUCTION IN PART OR AS A WHOLE WITHOUT THE WRITTEN PERMISSION OF WAKEFIELD-VETTE IS PROHIBITED.</p>	<p>THIRD ANGLE PROJECTION</p>		<p>TOLERANCES</p> <p>ALL DIMS IN MM(IN)</p>	<p>33 BRIDGE ST. PELHAM, NH 03076 (603)635-2800</p>
	APPROVALS	DATE:		
	MATERIAL:	CHK:	DRAWING NOT TO SCALE	
	FINISH:	DSGN ENG:	REVISION:	
	MFG ENG:	SCALE: 1.1:1	DWG. NO.	Draw1   1 OF 1
	QA:	MODEL_INFO:		

# Mouser Electronics

Authorized Distributor

Click to View Pricing, Inventory, Delivery & Lifecycle Information:

[Wakefield-Vette:](#)

[PINLED-4850](#)