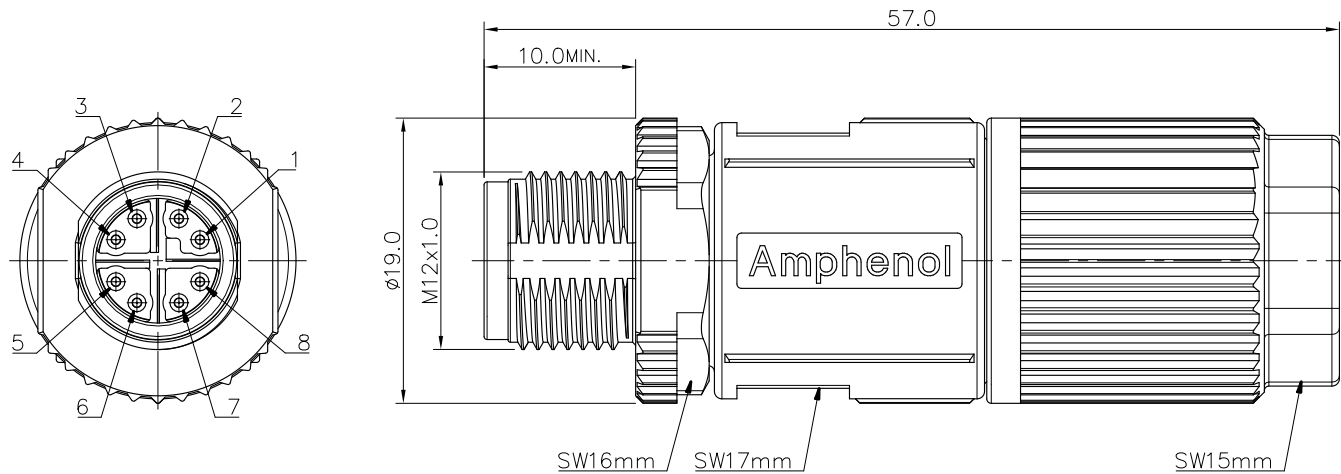
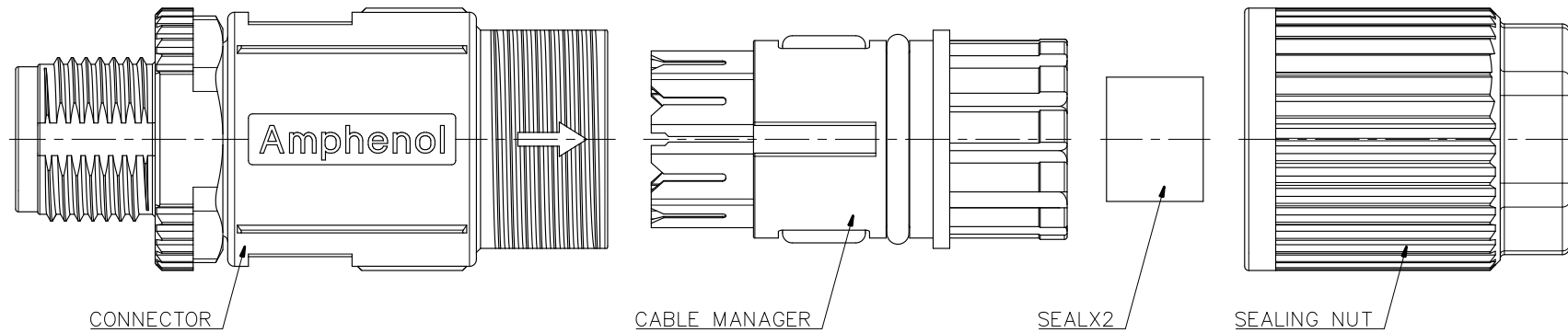


REV. A	DESCRIPTION NEW RELEASE
-----------	----------------------------

THIS DOCUMENT IS SUBJECT TO CHANGE WITHOUT NOTICE. IT IS CONFIDENTIAL AND A PROPERTY OF Amphenol LTW. DISCLOSURE TO THIRD PARTY HAS TO BE AUTHORIZED BY Amphenol LTW.



- \* MATERIAL:  
Male Pin: Copper Alloy, Gold Plated.  
Connector: Thermoplastic, Black.  
Shell & Shield: Metal.  
O-Ring: Silicon.
- \* Waterproof Rate: IP68.
- \* Applicable Cable OD: 5.0mm~9.0mm.
- \* Applicable Wire Gauge: 22AWG~26AWG.
- \* Rated Voltage: 50V/AC, 60V/DC.
- \* Rated Current: 0.5A.
- \* Temperature Range: -40~85°C.
- \* Packing: One Piece in a Tray.

UNIT: mm		TITLE	<h1 style="margin: 0;">Amphenol LTW</h1> <p style="margin: 0;">安費諾亮泰企業股份有限公司</p>		ITEM NO	MSXS-08BMMD-SL8001	DRAWN BY	Sam Ho	DATE	2019.06.03	
		M12 X CODE FIELD INSTALLABLE IDC M CONN.			DWG NO	MSXS-08BMMD-SL8001	CHECKED BY	Fred Lee	DATE	2019.06.03	
TOLERANCE		SCALE	2 : 1	SHEET	1 OF 1	CUSTOMER	ALTW	APPROVED BY	Fred Lee	DATE	2019.06.03
.X	±0.25	REV.	A	SIZE	A4						
.XX	±0.1			QC: Inspection Item							
.XXX	±0.05										
ANGLES	±1°										

# Mouser Electronics

Authorized Distributor

Click to View Pricing, Inventory, Delivery & Lifecycle Information:

[Amphenol:](#)

[MSXS-08BMMD-SL8001](#)