

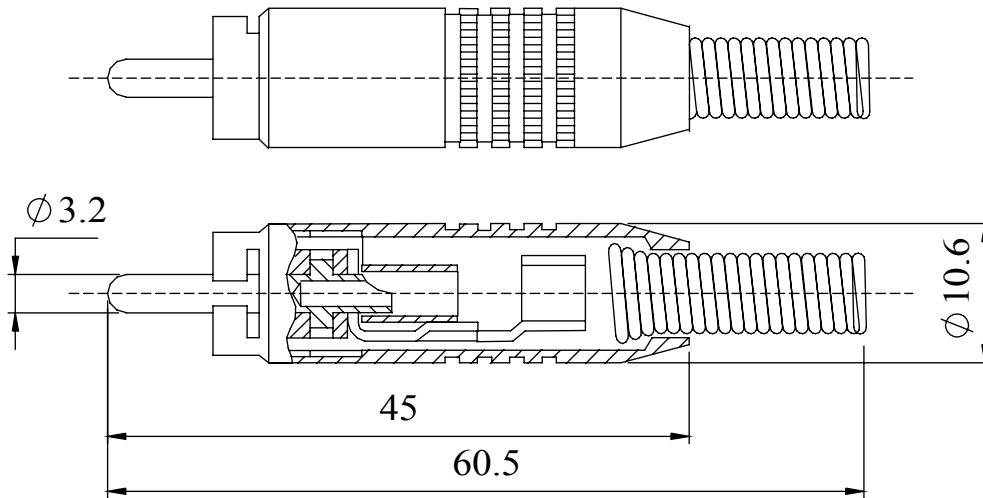
A range of high quality UK manufactured phono plug made from machined brass with various plating options. The aluminium housing is anodised in various colours for easy identification.

- Centre contact is a solid pin with a large scalloped solder bucket.
- Grounded contact with precision machined 'T' shape slot for maximum contact.
- Cable clamp for cable gripping and dual grounding.
- Attractive body styling.

Material	
Centre Contact	: Brass Flash gold plate
Grounded Contact	: Brass Flash gold plate
Insulation	: PTFE
Collet	: Brass, flash gold plate
Phono Cap	: Brass Black chrome plate

Ratings-  
 Rated Current: 5A.  
 Rated Voltage: 50V.  
 Insulation resistance  
 100m W 500 Vdc

Dimensions



Deltron Part No.	Description
346-0100	BLACK ANODISED CAP PLUG
346-0200	BLUE ANODISED CAP PLUG
346-0500	RED ANODISED CAP PLUG
346-0700	YELLOW ANODISED CAP PLUG