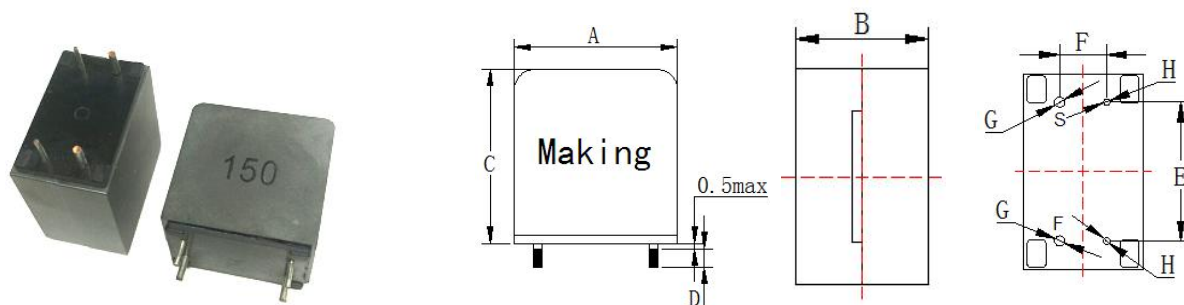


Power Inductors For Digital Amplifier

●DPE3119-Series

1. Dimensions(mm)



Features

- a、 Compact size using flat wire
- b、 Low radiation noise by magnetically shielded construction
- c、 Small, low resistance and High current
- d、 Suitable for high power home theater system and AV amplifier

N0.	A±0.5	B±0.5	C max	D±0.5	E±0.3	F±0.3	G±0.1	H±0.1
Spec.	31	19	33	5.0	22	7.5	1.6	1.0

2. Electrical characteristics

Part Number	Code	L (uH)±20%	DCR(m Ω)Max	Isat(A)	Irms(A)
DPE3119-100M	100	10	6.9	50	12.5
DPE3119-120M	120	12	6.9	50	12.5
DPE3119-150M	150	15	6.9	47	12.0
DPE3119-180M	180	18	6.9	34	12.5
DPE3119-220M	220	22	6.9	31	12.0

1. Measurement Frequency for Inductance: 100KHz/0.25V
2. DC saturation allowable current: Inductance drift is within-25% at the superposition.
3. Temperature rise allowable current :A rise in temperature of surface of core is within 40°C
4. Ambient temperature -40°C to +85°C
5. Storage temperature Component: -40°C to +125°