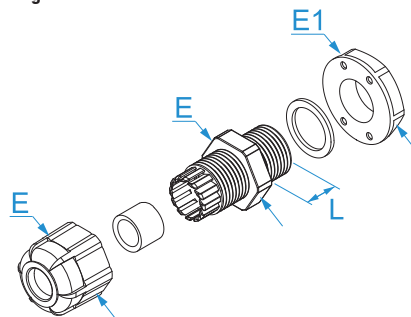


Product family: Nylon cable glands - PG thread
Item code: 4707, 4707N, 4709, 4709N, 4711, 4711N, 4713, 4713N, 4716, 4716N, 4721, 4721N, 4729, 4729N, 4736, 4736N, 4742, 4742N, 4748, 4748N
Description: NYLON CABLE GLANDS · PG THREAD · IP68 · WITH LOCKNUT

Image



Technical drawing



Specifications

MATERIAL: polyamide (PA 6.6), self-extinguishing according to UL 94 V2 and IEC 695-2-1 (850 °C)
LOCKNUT: with flange
OPERATING TEMPERATURE: from -20 °C to +90 °C
INNER GASKET AND WASHER: NBR (nitrile rubber), 70 Shore A
ACCORDING TO STD.: EN 62444:2013
ASSEMBLY: do not remove or move the gasket; tighten on a flat and smooth surface.

Code	Color	PG thread size (DIN40430)	Ø cable (mm)	L (mm)	E wrench (nut)	E1 wrench (locknut)	
4707	Grey RAL 7035	PG 7	3 - 6,5	9	16	19	10/100
4707N	Black RAL 9005	PG 7	3 - 6,5	9	16	19	
4709	Grey RAL 7035	PG 9	4 - 8	9	19	22	10/100
4709N	Black RAL 9005	PG 9	4 - 8	9	19	22	
4711	Grey RAL 7035	PG 11	5 - 10	9	22	24	10/100
4711N	Black RAL 9005	PG 11	5 - 10	9	22	24	
4713	Grey RAL 7035	PG 13.5	6 - 11	10	24	27	10/100
4713N	Black RAL 9005	PG 13.5	6 - 11	10	24	27	
4716	Grey RAL 7035	PG 16	10 - 13	10	27	30	10/100
4716N	Black RAL 9005	PG 16	10 - 13	10	27	30	
4721	Grey RAL 7035	PG 21	13 - 18	12	33	36	10/100
4721N	Black RAL 9005	PG 21	13 - 18	12	33	36	10/10
4729	Grey RAL 7035	PG 29	18 - 25	12	42	46	10/50
4729N	Black RAL 9005	PG 29	18 - 25	12	42	46	10/10
4736	Grey RAL 7035	PG 36	25 - 32	15	52	56	5/5
4736N	Black RAL 9005	PG 36	25 - 32	15	52	56	
4742	Grey RAL 7035	PG 42	32 - 38	18	60	65	5/5
4742N	Black RAL 9005	PG 42	32 - 38	18	60	65	
4748	Grey RAL 7035	PG 48	37 - 44	18	68	69	5/5
4748N	Black RAL 9005	PG 48	37 - 44	18	68	69	

