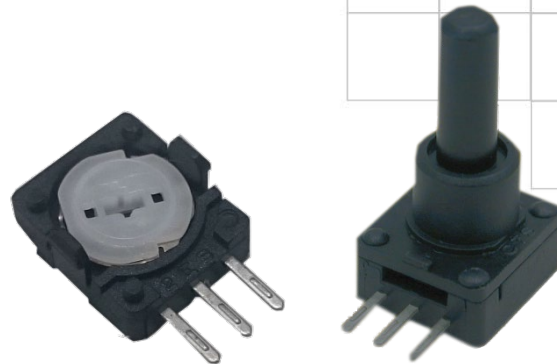




Series 251

9mm Rotary Potentiometer

- Miniature 9mm Size
- Long Rotational Life (up to 1 million cycles)
- Low Rotational Torque
- Molded Shaft or Rotor Available
- Sturdy Insert Molded Terminal
- Low Noise Output
- Economical Solution



Description

Series 251 Rotary Potentiometer provides an economical solution in applications with space constraints by providing a compact, reliable, and long-life potentiometer. The variety of standard effective electrical angle options along with shaftless or shaft options provide flexibility to meet design requirements.

Ordering Information

Series	Terminal Style	Shaft Length "L"	Shaft Trim	Resistance Code	Resistance Tolerance	Effective Electrical Angle	Tap Option	Bushing Option																																				
251	B	12	F	103	C	1	N	B																																				
	<table border="1"> <thead> <tr><th>Code</th><th>Spec.</th></tr> </thead> <tbody> <tr><td>B</td><td>PC style perpendicular</td></tr> </tbody> </table>	Code	Spec.	B	PC style perpendicular		<table border="1"> <thead> <tr><th>Code</th><th>Spec.</th></tr> </thead> <tbody> <tr><td>F</td><td>Flatted (5.00mm dia.)</td></tr> <tr><td>T</td><td>Flatted (3.96mm dia.)</td></tr> <tr><td>O</td><td>Slotted rotor</td></tr> </tbody> </table>	Code	Spec.	F	Flatted (5.00mm dia.)	T	Flatted (3.96mm dia.)	O	Slotted rotor		<table border="1"> <thead> <tr><th>Code</th><th>Spec.</th></tr> </thead> <tbody> <tr><td>A</td><td>±10%</td></tr> <tr><td>B</td><td>±20%</td></tr> <tr><td>C</td><td>±30%</td></tr> </tbody> </table>	Code	Spec.	A	±10%	B	±20%	C	±30%	<table border="1"> <thead> <tr><th>Code</th><th>Spec.</th></tr> </thead> <tbody> <tr><td>1</td><td>Linear (40°)</td></tr> <tr><td>3</td><td>Linear (60°)</td></tr> <tr><td>5</td><td>Linear (110°)</td></tr> <tr><td>9</td><td>Linear (280°)</td></tr> </tbody> </table>	Code	Spec.	1	Linear (40°)	3	Linear (60°)	5	Linear (110°)	9	Linear (280°)	<table border="1"> <thead> <tr><th>Code</th><th>Spec.</th></tr> </thead> <tbody> <tr><td>N</td><td>No center tap</td></tr> <tr><td>T</td><td>4° center tap</td></tr> </tbody> </table>	Code	Spec.	N	No center tap	T	4° center tap	
Code	Spec.																																											
B	PC style perpendicular																																											
Code	Spec.																																											
F	Flatted (5.00mm dia.)																																											
T	Flatted (3.96mm dia.)																																											
O	Slotted rotor																																											
Code	Spec.																																											
A	±10%																																											
B	±20%																																											
C	±30%																																											
Code	Spec.																																											
1	Linear (40°)																																											
3	Linear (60°)																																											
5	Linear (110°)																																											
9	Linear (280°)																																											
Code	Spec.																																											
N	No center tap																																											
T	4° center tap																																											
		<table border="1"> <thead> <tr><th>Code</th><th>Spec.</th></tr> </thead> <tbody> <tr><td>12</td><td>12mm molded shaft</td></tr> <tr><td>15</td><td>15mm molded shaft</td></tr> <tr><td>00</td><td>Slotted rotor</td></tr> </tbody> </table>	Code	Spec.	12	12mm molded shaft	15	15mm molded shaft	00	Slotted rotor		<table border="1"> <thead> <tr><th>Code</th><th>Spec.</th></tr> </thead> <tbody> <tr><td>103</td><td>10 kΩ</td></tr> <tr><td>253</td><td>25 kΩ</td></tr> <tr><td>503</td><td>50 kΩ</td></tr> <tr><td>104</td><td>100 kΩ</td></tr> </tbody> </table>	Code	Spec.	103	10 kΩ	253	25 kΩ	503	50 kΩ	104	100 kΩ		<table border="1"> <thead> <tr><th>Code</th><th>Spec.</th></tr> </thead> <tbody> <tr><td>1</td><td>Bushingless (slotted rotor only)</td></tr> <tr><td>B</td><td>Threadless bushing (shaft version only)</td></tr> </tbody> </table>	Code	Spec.	1	Bushingless (slotted rotor only)	B	Threadless bushing (shaft version only)														
Code	Spec.																																											
12	12mm molded shaft																																											
15	15mm molded shaft																																											
00	Slotted rotor																																											
Code	Spec.																																											
103	10 kΩ																																											
253	25 kΩ																																											
503	50 kΩ																																											
104	100 kΩ																																											
Code	Spec.																																											
1	Bushingless (slotted rotor only)																																											
B	Threadless bushing (shaft version only)																																											

Electrical Specifications

Parameter	Conditions & Remarks	Min	Max	Unit
Resistance Range	Linear	10k	200k	Ω
Resistance Tolerance	Standard	-30	+30	%
	Special	-20	+20	%
	Special	-10	+10	%
Power Rating	@ 50°C		0.01	watt
Dielectric Strength	1 minute		250	VAC
Insulation Resistance	250 VDC	100		M Ω
Maximum Operating Voltage			50	VAC
			5	VDC
Effective Electrical Angle	See ordering information	40	280	°

Mechanical and Environmental

Parameter	Conditions & Remarks	Min	Max	Unit
Operating Temperature Range		-10	+70	°C
Rotational Torque		3	30	gf-cm
Mechanical Angle			300	°
Rotational Life	280° EEA	250,000		cycles
	40°, 60° & 110° EEA	1,000,000		cycles
Stop Strength:	3 kgf-cm minimum			
Pull-Push Strength of Shaft:	5 kgs for 10 seconds			
Soldering Condition:	Maximum temperature of 260° for 5 seconds			
Mounting Information:	Bushing mount on panel			
	Snap-in mount on PCB			
Packaging:	Standard cardboard box packaging			

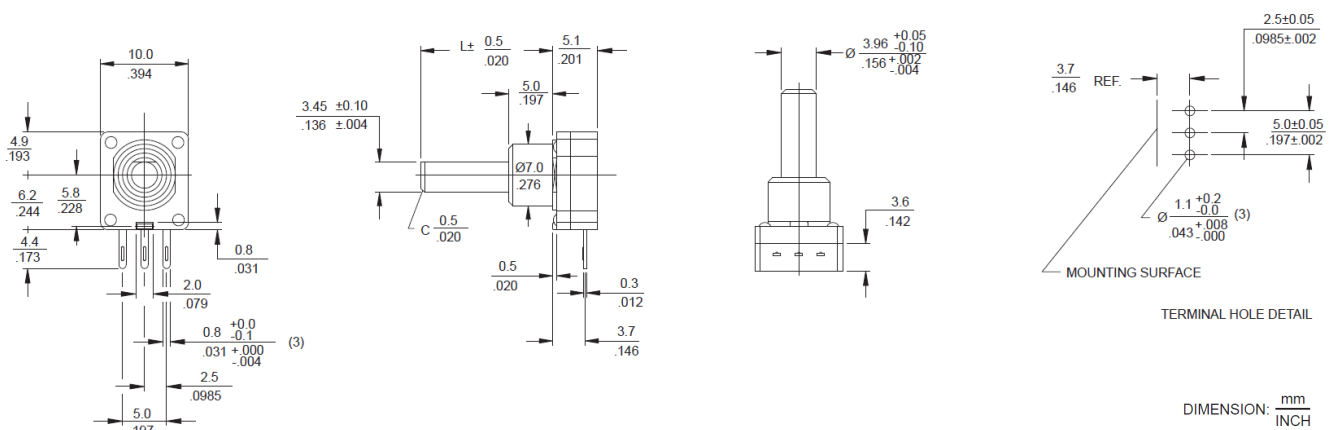
All testing is performed at room ambient conditions except as noted. Users should verify device actual performance in their specific applications.

This product is compliant to RoHS3 Directive 2015/863 Amendments of Annex II on 31 March 2015, and REACH SVHC Directive EC 1907/2006 Amendments of Annex XIV & Annex XVII on 15 January 2018.

Custom and value-added options available on request. Please contact your sales representative for additional information.

Mechanical Specifications

Series 251 Bushing Mount, "T" Shaft Trim

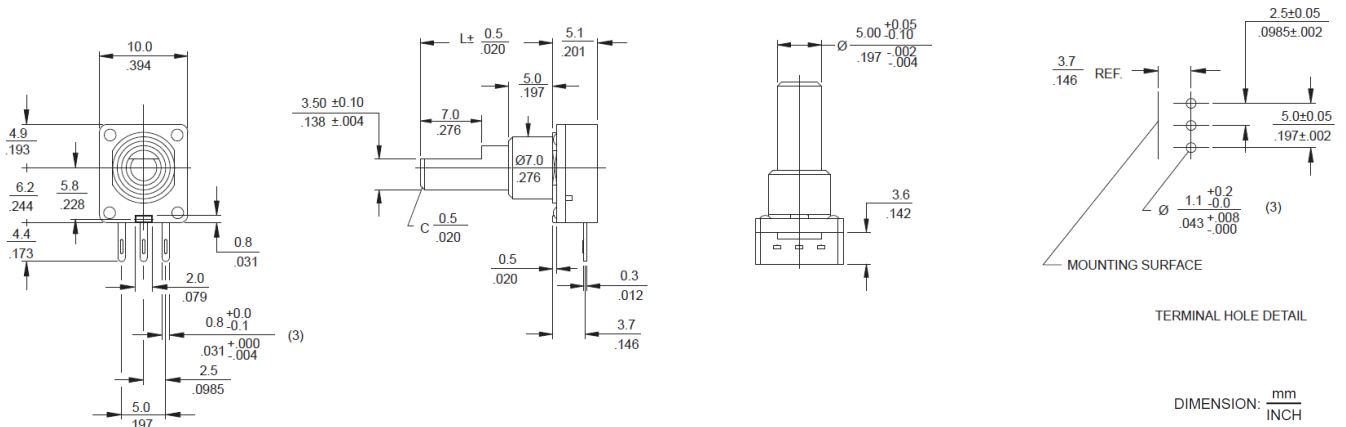


Series 251

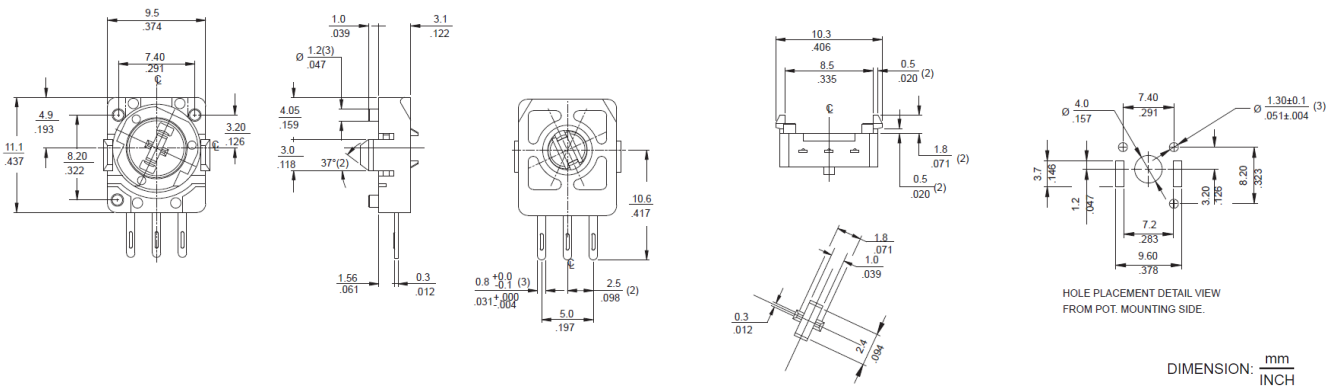
9mm Rotary Potentiometer

Mechanical Specifications

Series 251 Bushing Mount, "F" Shaft Trim



Series 251 Snap-in Mount, Slotted Rotor



Mouser Electronics

Authorized Distributor

Click to View Pricing, Inventory, Delivery & Lifecycle Information:

CTS:

[251B12T104A2NB](#)