



FEATURES

- **Clipped Sine Wave Output**
- **Optional Voltage Control for Frequency Tuning [VCTCXO]**
- 2.5mmx2.0mm Surface Mount Package
- Frequency Range 10 – 52 MHz [Standard Frequencies List Shown Below]
- Fundamental Crystal Design
- Frequency Stability, several options to choose from $\pm 0.5\text{ppm} \sim \pm 2.5\text{ppm}$
- Operating Voltage, +1.8Vdc \sim +2.5Vdc
- Operating Temperature to -40°C to +85°C
- Tape & Reel Packaging Available
- **RoHS/Green Compliant (6/6)**



APPLICATIONS

The Model 520 Temperature Compensated Crystal Oscillator (TCXO) is a quartz based, clipped sine wave output, with optional frequency tuning, in a hermetically sealed ceramic package. M520 is suitable for wireless communications, broadband access, WLAN/WiMax/WIFI, portable equipment, test and measurement and mobile applications.

ORDERING INFORMATION



* Frequency vs. Temperature Only

- 1] Only available with temperature range codes "H" and "C".
- 2] Only available with temperature range codes "H", "C" and "D".
- 3] Frequency is recorded with two leading digits before the 'M' and 4 significant digits after the 'M' (including zeros).
[Ex. XXMXXXX (10M0000), XXMXXXX (16M3840)]
- 4] See Electrical Characteristics for Control Voltage range per Supply Voltage selected.

Not all performance combinations and frequencies may be available.
Contact your local CTS Representative or CTS Customer Service for availability.

M520 Standard Frequencies				
13.000000	16.368000	19.200000	26.000000	40.000000
16.367667	16.369000	20.000000	38.400000	

ELECTRICAL CHARACTERISTICS

PARAMETER	SYMBOL	CONDITIONS	MIN	TYP	MAX	UNIT
Maximum Supply Voltage	V _{CC}	-	-0.5	-	6.0	V
Maximum Control Voltage	V _C	-	-0.5	-	V _{CC}	V
Storage Temperature	T _{STG}	-	-40	-	85	°C
Frequency Range	f ₀	Std frequencies listed in Ordering Information	10	-	52	MHz
Frequency Stability	Δf/f ₀	Frequency vs. Temperature Only	0.5, 1.0, 1.5 2.0, 2.5			± ppm
Frequency Stability vs. Initial Calibration vs. Supply Voltage vs. Load vs. Reflow Shift vs. Aging	-	@25°C ±5% change ±10% change After 2 reflows 1st year 10 year	-	-	2.0 0.2 0.2 2.0 1.0 10.0	± ppm
Operating Temperature Order Code 'W' Order Code 'H' Order Code 'C' Order Code 'D' Order Code 'I'	T _A	-	0 -10 -20 -30 -40	25	55 60 70 85 85	°C
Supply Voltage Order Code 'M' Order Code 'N' Order Code 'T' Order Code 'R' Order Code 'L'	V _{CC}	±5%	1.77 2.38 2.66 2.85 3.14	1.8 2.5 2.8 3.0 3.3	1.83 2.63 2.94 3.15 3.47	V
Supply Current	I _{CC}	10.00 MHz - 25.99 MHz 26.00 MHz - 52.00 MHz	-	-	2 2.5	mA
Control Voltage	V _C	2.5V, 2.8V, 3.0V, 3.3V 1.8V	0.4 0.3	1.5 0.9	2.4 1.5	V
Frequency Tuning [VCTCXO Only]	-	Specified V _C Range	5.0	-	-	± ppm
V _C Input Impedance	ZV _C	-	500	-	-	kOhm
Output Waveform		AC coupled Clipped Sinewave				
Output Voltage Levels	V _O		0.8	-	-	Vp-p
Output Load	R _L // C _L		10 kOhm // 10 pF			
Start Up Time	T _S		-	-	2	ms
Phase Noise	-	Varies based on output frequency. See example plot @ 19.2 MHz below.				dBc/Hz

ELECTRICAL PARAMETERS



ELECTRICAL CHARACTERISTICS

D.U.T. PIN ASSIGNMENTS

PIN	SYMBOL	DESCRIPTION
1	V _C	GND – TCXO [Note 1] Control Voltage – VCTCXO
2	GND	Circuit & Package Ground
3	Output	Clipped Sine Wave Output [Note 2]
4	V _{CC}	Supply Voltage

NOTES

1. Connect to ground for TCXO (no AFC) option.
2. DC-Cut Capacitor Required.
Add 1000pF capacitor between TCXO output and input of load.

TEST CIRCUIT – RL//CL LOAD



* DC-Cut Capacitor

MECHANICAL SPECIFICATIONS

PACKAGE DRAWING



MARKING INFORMATION

1. M520 - CTS Model Series.
2. ● – Pin 1 identifier.
3. D – Date code. See Table I for codes.
4. XXX – Frequency code. Reference CTS document 016-1454-01.

Complete CTS part number, frequency value and date code information must appear on reel and carton labels.

NOTES

1. DO NOT make connections to non-labeled pins and castellations, as they may have internal connections used in the manufacturing process.
2. Termination pads (e4); barrier plating is nickel (Ni) with gold (Au) flash plate.
3. Reflow conditions per JEDEC J-STD-020, 260°C maximum.

SUGGESTED SOLDER PAD GEOMETRY



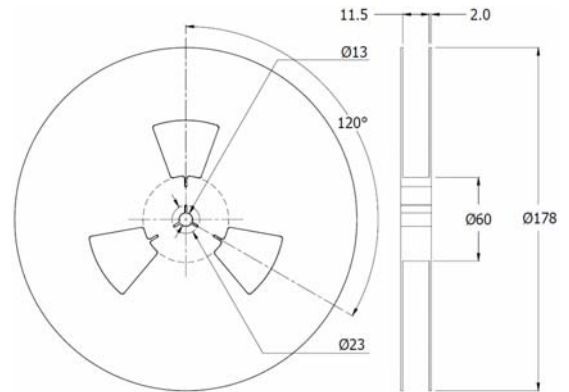
C_{BYPASS} should be ≥ 0.01 uF.

TABLE I – DATE CODE

YEAR \ MONTH					JAN	FEB	MAR	APR	MAY	JUN	JUL	AUG	SEP	OCT	NOV	DEC
2001	2005	2009	2013	2017	A	B	C	D	E	F	G	H	J	K	L	M
2002	2006	2010	2014	2018	N	P	Q	R	S	T	U	V	W	X	Y	Z
2003	2007	2011	2015	2019	a	b	c	d	e	f	g	h	j	k	l	m
2004	2008	2012	2016	2020	n	p	q	r	s	t	u	v	w	x	y	z

PACKAGING INFORMATION [Reference]

Device quantity is 1k pieces minimum and 3k maximum per 180mm reel.



Mouser Electronics

Authorized Distributor

Click to View Pricing, Inventory, Delivery & Lifecycle Information:

CTS:

[520R25HT40M0000](#) [520L25HT16M3680](#) [520T20IA16M3690](#) [520M25IA38M4000](#) [520M25IA40M0000](#)
[520N25IA26M0000](#) [520R25IA13M0000](#) [520R25IA16M3677](#) [520L25IA16M3680](#) [520L25IA16M3690](#)
[520T15DA13M0000](#) [520T20DA13M0000](#) [520T25DA26M0000](#) [520R25DA26M0000](#) [520T15CA40M0000](#)
[520L20CA13M0000](#) [520T25CA19M2000](#) [520T05HA13M0000](#) [520L05HA26M0000](#) [520R25HA13M0000](#)
[520M25HT16M3677](#) [520N15IA16M3690](#) [520L10DA16M3677](#) [520T20DA16M3677](#) [520R20DA16M3680](#)
[520T25DA19M2000](#) [520R25DA40M0000](#) [520L25DA26M0000](#) [520L05CA38M4000](#) [520M15CA16M3680](#)
[520M20CA13M0000](#) [520T20CA20M0000](#) [520R20CA40M0000](#) [520L20CA16M3690](#) [520N25CA16M3680](#)
[520N10HA16M3677](#) [520R10HA16M3680](#) [520N15HA40M0000](#) [520M20HA16M3680](#) [520R20HA13M0000](#)
[520L25HA19M2000](#) [520R20IT19M2000](#) [520L20IT13M0000](#) [520M25IT16M3690](#) [520N25IT13M0000](#)
[520T25IT16M3680](#) [520M10DT38M4000](#) [520R10DT26M0000](#) [520M15DT16M3677](#) [520L15DT26M0000](#)
[520L20DT16M3680](#) [520L20DT20M0000](#) [520N25DT16M3677](#) [520R25DT38M4000](#) [520M05CT16M3680](#)
[520M10CT16M3690](#) [520T10CT16M3690](#) [520L10CT40M0000](#) [520M15CT20M0000](#) [520N20CT38M4000](#)
[520L20CT16M3690](#) [520R05HT16M3690](#) [520N10HT16M3680](#) [520L15HT16M3680](#) [520M20HT26M0000](#)
[520R20HT19M2000](#) [520N25HT16M3677](#) [520N25HT38M4000](#) [520L15IT16M3690](#) [520L15IT20M0000](#)
[520R20IT40M0000](#) [520R25IT16M3680](#) [520N10DT20M0000](#) [520R10DT20M0000](#) [520L10DT26M0000](#)
[520N15DT19M2000](#) [520M20DT40M0000](#) [520L20DT16M3690](#) [520L20DT40M0000](#) [520M25DT13M0000](#)
[520L25DT26M0000](#) [520T05CT13M0000](#) [520L05CT19M2000](#) [520M10CT16M3677](#) [520N10CT16M3677](#)
[520L15CT38M4000](#) [520L20CT16M3677](#) [520T05HT20M0000](#) [520T10HT40M0000](#) [520R10HT38M4000](#)
[520N15HT13M0000](#) [520N15HT38M4000](#) [520T15HT16M3680](#) [520L15HT13M0000](#) [520L15HT16M3690](#)
[520L15HT19M2000](#) [520T20HT20M0000](#) [520M25HT16M3680](#) [520M25HT16M3690](#) [520N25HT16M3680](#)