

**EM2426 Series
EuroMag Terminal Blocks**

Header with Flanges (Mates with EM2416 Series); 7.62 Centers

SPECIFICATIONS

Rating: 15A, 300V

Center Spacing: 0.30" (7.62mm)

Housing Material: UL rated 94V0 Thermoplastic

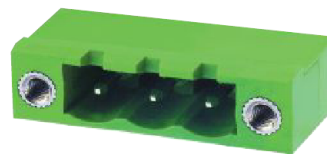
Contact Material: Tin-Plated Brass

Operating Temperature: 105°C (221°F) max., -40°C (-40°F) min.

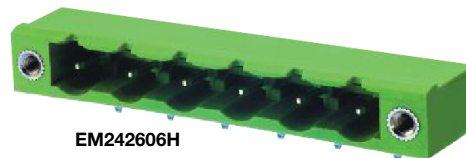
Recommended PCB Hole Diameters: 0.059" (1.50mm)

Construction: Mold-to-Length

Agency Information: File E62622; CE Certified



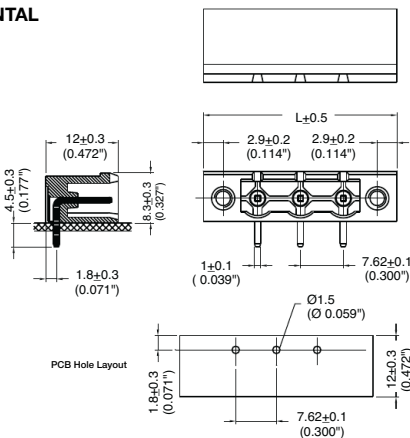
EM242603V



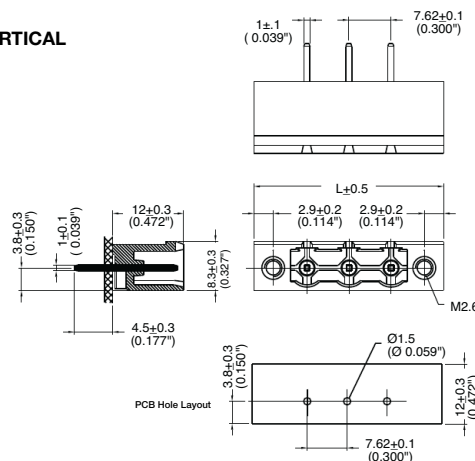
EM242606H

Dimensions - mm (in)

HORIZONTAL



VERTICAL

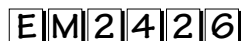


Poles	L (mm)	Poles	L (mm)
2	25.62	8	71.34
3	33.24	9	78.96
4	40.86	10	86.58
5	48.48	11	94.20
6	56.10	12	101.80
7	63.72		

To convert to inches, divide by 25.4

Part Numbering System

Series



of Poles



02 to 12

Orientation



H - horizontal
V - vertical

Mating Plug: EM2416 pg. 101

Terminal Blocks:
Single Row

EuroMag Series
Plug & Header

Edge Connectors,
One-Sided Boards

Compliance
References

Mouser Electronics

Authorized Distributor

Click to View Pricing, Inventory, Delivery & Lifecycle Information:

Eaton:

[EM242608H](#) [EM242603H](#) [EM242603V](#) [EM242605H](#) [EM242612H](#) [EM242612V](#) [EM242611H](#) [EM242610V](#)
[EM242602H](#) [EM242611V](#) [EM242607H](#) [EM242609V](#) [EM242609H](#) [EM242607V](#) [EM242606H](#) [EM242608V](#)
[EM242602V](#) [EM242610H](#) [EM242606V](#) [EM242604H](#) [EM242605V](#) [EM242604V](#)