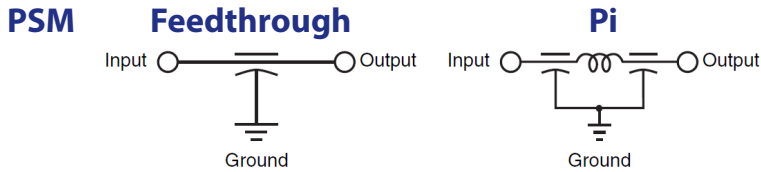
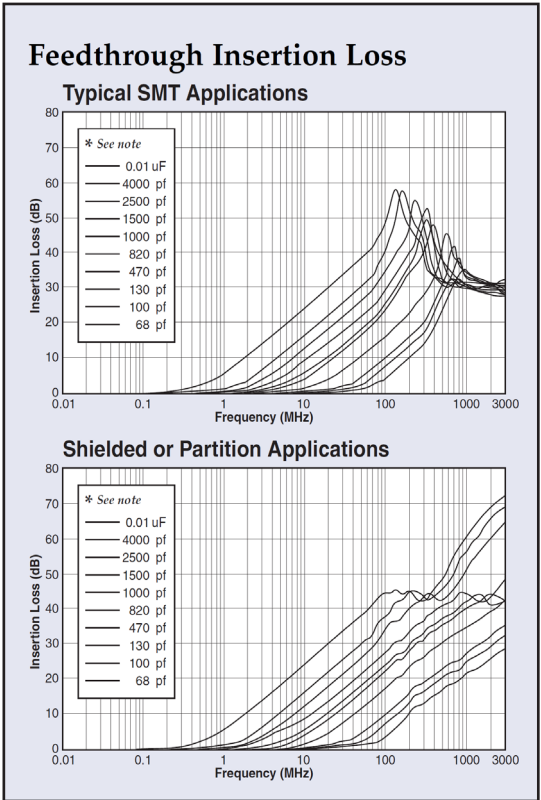
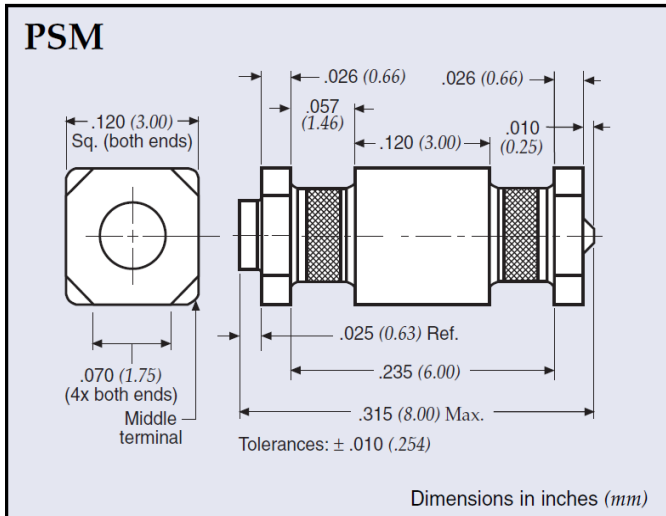
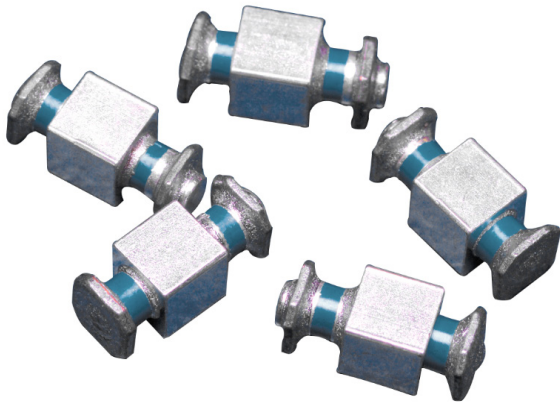


Surface Mount Low Pass Filters

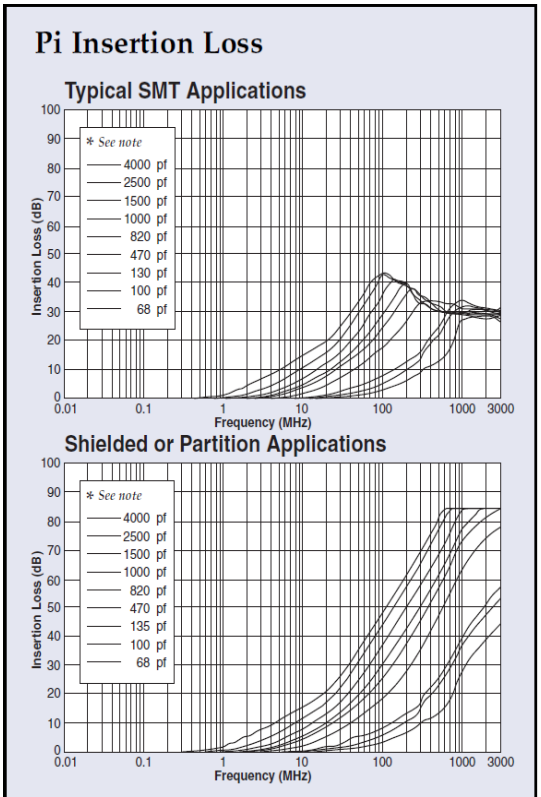
PSM Series



Voltage Rating DC	200 VDC @ -55°C to +125°C
DWV	700 VDC
Current Rating	20 Amps (Feedthrough) max. 10 Amps (Pi) max.
Insulation Resistance	1.0 GΩ @ 25°C
Dissipation Factor	4.0% maximum
D.C.R	Max. .0005Ω, typ. .0002Ω



* Capacitance values for insertion loss curves are displayed left to right in the order shown.



Surface Mount Low Pass Filters

PSM Series

PSM Ordering Information Example: PSM4-402Z-20T0

PSM	4	-	402Z	-	20	T	0																																	
Style	Circuit Configuration		Capacitance		Current Rating	Packaging	Tape and Reel																																	
<p>PSM (Power)</p> <p>† Also available through APITech's authorized distributors.</p>	<p>1 - Pi</p> <p>4 - Feedthrough</p>		<table border="1" style="width: 100%; border-collapse: collapse; text-align: center;"> <thead> <tr> <th>Code</th> <th>Value*</th> <th>Tolerance</th> </tr> </thead> <tbody> <tr><td>680M</td><td>68 pF</td><td>±20%</td></tr> <tr><td>101M</td><td>100 pF</td><td>±20%</td></tr> <tr><td>131P</td><td>130 pF</td><td>+100/-0%</td></tr> <tr><td>471P</td><td>470 pF</td><td>+100/-0%</td></tr> <tr><td>821M</td><td>820 pF</td><td>±20%</td></tr> <tr><td>102M</td><td>1000 pF</td><td>±20%</td></tr> <tr><td>152M</td><td>1500 pF</td><td>±20%</td></tr> <tr><td>252P</td><td>2500 pF</td><td>+100/-0%</td></tr> <tr><td>402Z</td><td>4000 pF</td><td>+80/20%</td></tr> <tr><td>103Z**</td><td>.01 µF</td><td>+80/-20%</td></tr> </tbody> </table>	Code	Value*	Tolerance	680M	68 pF	±20%	101M	100 pF	±20%	131P	130 pF	+100/-0%	471P	470 pF	+100/-0%	821M	820 pF	±20%	102M	1000 pF	±20%	152M	1500 pF	±20%	252P	2500 pF	+100/-0%	402Z	4000 pF	+80/20%	103Z**	.01 µF	+80/-20%		<p>10 - 10 Amps (Pi)</p> <p>20 - 20 Amps (Feedthrough)</p>	<p>T - Tape and reel packaging</p> <p>B - Bulk packaging</p>	<p>0 - 500 pieces</p> <p>2 - 2,000 pieces</p> <p><i>Note: Tape and reel packaging - 500 pieces (7") and 2,000 pieces (13")</i></p>
Code	Value*	Tolerance																																						
680M	68 pF	±20%																																						
101M	100 pF	±20%																																						
131P	130 pF	+100/-0%																																						
471P	470 pF	+100/-0%																																						
821M	820 pF	±20%																																						
102M	1000 pF	±20%																																						
152M	1500 pF	±20%																																						
252P	2500 pF	+100/-0%																																						
402Z	4000 pF	+80/20%																																						
103Z**	.01 µF	+80/-20%																																						

Technical Notes

- Soldering recommendations supplied upon request
- Reflow temperature limit is 250°C
- Unit weight is approximately 0.4 grams
- Tape and reel packaging available for automated assembly

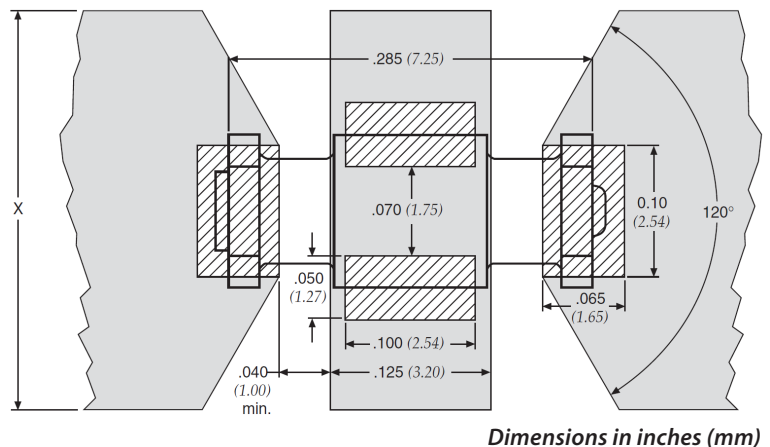
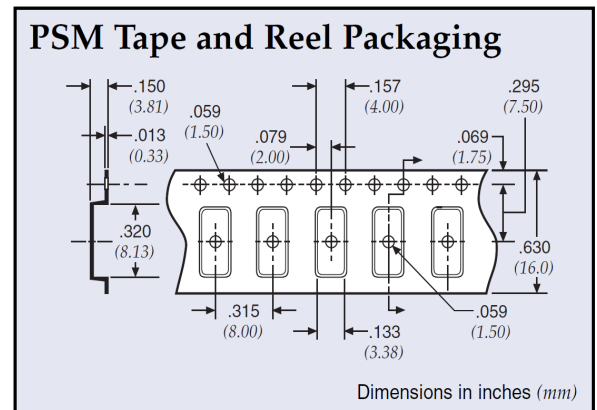
PSM Recommended Board Pattern

- Solder paste pattern
- Recommended pad, must be able to support continuous signal current

X = 0.350" minimum for 1 oz. copper (0.036 mm thickness)

X = 0.200" minimum for 2 oz. copper (0.071 mm thickness)

For low current (10 Amp or less)
 X = 0.130" minimum for 1 oz. copper (0.036 mm thickness for 10 Amp and 0.5 oz. copper - 0.018 mm)



Mouser Electronics

Authorized Distributor

Click to View Pricing, Inventory, Delivery & Lifecycle Information:

API Technologies:

[PSM1-102M-10T0](#) [PSM1-402Z-10T0](#) [PSM1-471P-10T0](#) [PSM4-102M-20T0](#) [PSM4-152M-20T0](#) [PSM4-103Z-20T0](#)
[PSM1-101M-10T0](#) [PSM1-101M-10T2](#) [PSM1-402Z-10T2](#) [PSM4-101M-20T0](#) [PSM1-102M-10T2](#) [PSM1-131P-10T0](#)
[PSM1-131P-10T2](#) [PSM1-152M-10T0](#) [PSM1-152M-10T2](#) [PSM1-402Z-20T0](#) [PSM1-402Z-20T2](#) [PSM1-471P-10T2](#)
[PSM1-680M-10T2](#) [PSM1-821M-10T2](#) [PSM4-101M-10T0](#) [PSM4-101M-10T2](#) [PSM4-101M-20T2](#) [PSM4-102M-10T0](#)
[PSM4-102M-10T2](#) [PSM4-102M-20T2](#) [PSM4-103Z-10T0](#) [PSM4-103Z-10T2](#) [PSM4-103Z-20T2](#) [PSM4-131P-10T0](#)
[PSM4-131P-10T2](#) [PSM4-131P-20T0](#) [PSM4-131P-20T2](#) [PSM4-152M-10T2](#) [PSM4-152M-20T2](#) [PSM4-402Z-10T0](#)
[PSM4-402Z-10T2](#) [PSM4-402Z-20T2](#) [PSM4-471P-10T0](#) [PSM4-471P-10T2](#) [PSM4-471P-20T0](#) [PSM4-471P-20T2](#)
[PSM4-680M-10T0](#) [PSM4-680M-10T2](#) [PSM4-680M-20T0](#) [PSM4-680M-20T2](#) [PSM4-821M-10T0](#) [PSM4-821M-10T2](#)
[PSM4-821M-20T0](#) [PSM4-821M-20T2](#) [PSM4-152M-10T0](#) [PSM4-402Z-20T0](#) [PSM1-821M-10T0](#)