

VS-09-ST-DSUB-HD-EG - D-SUB contact insert



1655111

<https://www.phoenixcontact.com/us/products/1655111>

Please be informed that the data shown in this PDF document is generated from our Online Catalog. Please find the complete data in the user documentation. Our General Terms of Use for Downloads are valid.

D-SUB contact insert, shell size 1, with 15 signal contacts, type of contact pin, with solder cup, straight, fixing with a 3 mm hole, for panel mounting frame VS-09-...



Your advantages

- High packing density with 15 signal contacts in D-SUB shell size 1
- Compatible with IP67 sleeve housing and panel-mount frame
- Easy assembly

Commercial Data

Item number	1655111
Packing unit	1 pc
Minimum order quantity	10 pc
Sales Key	A08
Product Key	ABNADA
Catalog Page	Page 210 (C-2-2013)
GTIN	4046356029056
Weight per Piece (including packing)	10.8 g
Weight per Piece (excluding packing)	10.8 g
Customs tariff number	85366990
Country of origin	DE

VS-09-ST-DSUB-HD-EG - D-SUB contact insert



1655111

<https://www.phoenixcontact.com/us/products/1655111>

Technical Data

Product properties

Type	D-SUB
Product type	Male insert
Number of positions	15
Connection profile	D-SUB 9
Application	high-position
Type	Male
Shielded	no

Insulation characteristics

Overvoltage category	III
Degree of pollution	2

Electrical properties

Rated voltage in acc. with IEC 61076-2-101	250 V
Rated voltage (III/3)	60 V
Rated surge voltage	1 kV
Rated current	3 A (at 20 °C)
Test voltage	1000 V
Transmission medium	Copper

Connection data

Connection technology

Connection method	Solder cup
-------------------	------------

Dimensions

Dimensional drawing	
Width	16.9 mm
Height	12.93 mm
Length	31.2 mm

Material specifications

Flammability rating according to UL 94	V0
Contact material	Copper alloy
Contact surface material	Au/Sn
Contact carrier material	Glass-fiber reinforced thermoplastics, UL 94 V0

VS-09-ST-DSUB-HD-EG - D-SUB contact insert



1655111

<https://www.phoenixcontact.com/us/products/1655111>

Housing material	Steel, tin-plated
------------------	-------------------

Cable/line

Shielded	no
----------	----

Mechanical properties

Mechanical data

Insertion/withdrawal cycles	≥ 50
Insertion force per signal contact	$\leq 3.40 \text{ N}$

Environmental and real-life conditions

Ambient conditions

Degree of protection	IP20
Ambient temperature (operation)	-55 °C ... 105 °C

Mounting

Mounting type	Hole
---------------	------

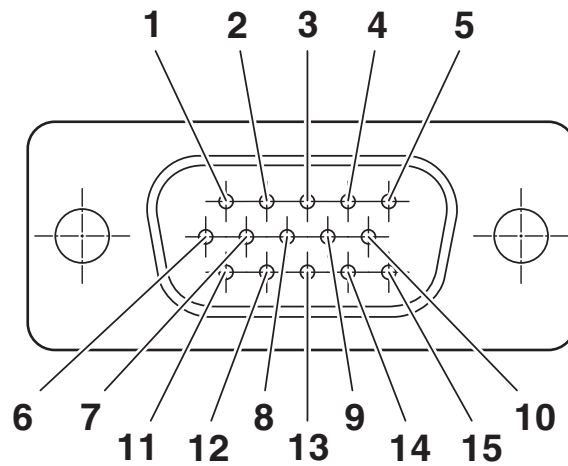
VS-09-ST-DSUB-HD-EG - D-SUB contact insert

1655111

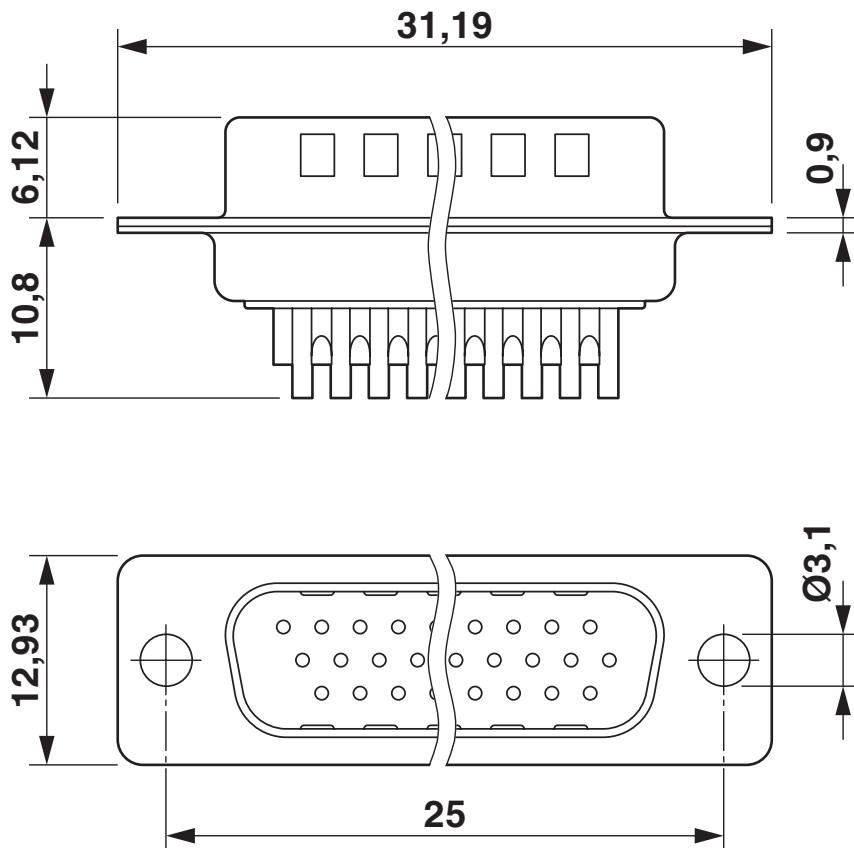
<https://www.phoenixcontact.com/us/products/1655111>

Drawings

Schematic diagram



Dimensional drawing



D-SUB contact insert

VS-09-ST-DSUB-HD-EG - D-SUB contact insert



1655111

<https://www.phoenixcontact.com/us/products/1655111>

Approvals



EAC

Approval ID: B.01687

VS-09-ST-DSUB-HD-EG - D-SUB contact insert



1655111

<https://www.phoenixcontact.com/us/products/1655111>

Classifications

ECLASS

ECLASS-9.0	27440205
ECLASS-10.0.1	27440205
ECLASS-11.0	27440223
ECLASS-12.0	27440223
ECLASS-13.0	27440223

ETIM

ETIM 8.0	EC003557
----------	----------

UNSPSC

UNSPSC 21.0	39121400
-------------	----------

VS-09-ST-DSUB-HD-EG - D-SUB contact insert



1655111

<https://www.phoenixcontact.com/us/products/1655111>

Environmental Product Compliance

REACH SVHC	Lead 7439-92-1
China RoHS	Environmentally Friendly Use Period = 50 years
	For information on hazardous substances, refer to the manufacturer's declaration available under "Downloads"

VS-09-ST-DSUB-HD-EG - D-SUB contact insert



1655111

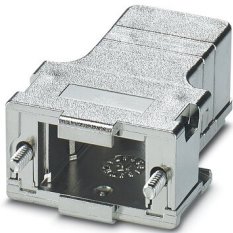
<https://www.phoenixcontact.com/us/products/1655111>

Accessories

CUC-DST-GPME-S/DSSC9 - D-SUB sleeve housings

1419705

<https://www.phoenixcontact.com/us/products/1419705>

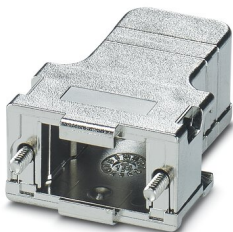


D-SUB sleeve housings, degree of protection: IP20, material: ABS, metal-plated, cable outlet: straight, housing size: 1, color: Bare metallic

CUC-DST-GPME-A/DSSC9 - D-SUB sleeve housings

1419706

<https://www.phoenixcontact.com/us/products/1419706>



D-SUB sleeve housings, degree of protection: IP20, material: ABS, metal-plated, cable outlet: angled, housing size: 1, color: Bare metallic

VS-09-ST-DSUB-HD-EG - D-SUB contact insert



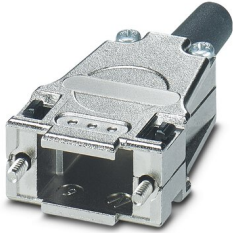
1655111

<https://www.phoenixcontact.com/us/products/1655111>

CUC-DST-GZNI-S/DSSC9 - D-SUB sleeve housings

1419722

<https://www.phoenixcontact.com/us/products/1419722>

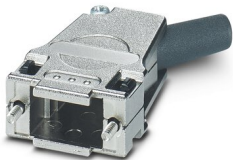


D-SUB sleeve housings, degree of protection: IP20, material: Zinc die-cast, cable outlet: straight, housing size: 1, color: Bare metallic

CUC-DST-GZNI-A/DSSC9 - D-SUB sleeve housings

1419723

<https://www.phoenixcontact.com/us/products/1419723>



D-SUB sleeve housings, degree of protection: IP20, material: Zinc die-cast, cable outlet: angled, housing size: 1, color: Bare metallic

VS-09-ST-DSUB-HD-EG - D-SUB contact insert

1655111

<https://www.phoenixcontact.com/us/products/1655111>

VS-09-T-2M16 - D-SUB sleeve housings

1688353

<https://www.phoenixcontact.com/us/products/1688353>



D-SUB sleeve housings, degree of protection: IP67, material: PA, cable outlet: angled, housing size: 1, color: gray

VS-09-A - Panel mounting frames

1688366

<https://www.phoenixcontact.com/us/products/1688366>



D-SUB panel mounting frame, shell size 1, IP67 degree of protection

VS-09-ST-DSUB-HD-EG - D-SUB contact insert

1655111

<https://www.phoenixcontact.com/us/products/1655111>



CUC-SCHRAUBE-5,5:360 - Screw

1421711

<https://www.phoenixcontact.com/us/products/1421711>

Screw, design: Hexagonal, color: Bare metallic



VS-09-BU-DSUB-HD-EG - D-SUB contact insert

1655108

<https://www.phoenixcontact.com/us/products/1655108>

D-SUB contact insert, shell size 1, with 15 signal contacts, type of contact socket, with solder cup, straight, fixing with a 3 mm hole, for panel mounting frame VS-09-...



Phoenix Contact 2023 © - all rights reserved
<https://www.phoenixcontact.com>

Phoenix Contact USA
586 Fulling Mill Road
Middletown, PA 17057, United States
(+717) 944-1300
info@phoenixcon.com