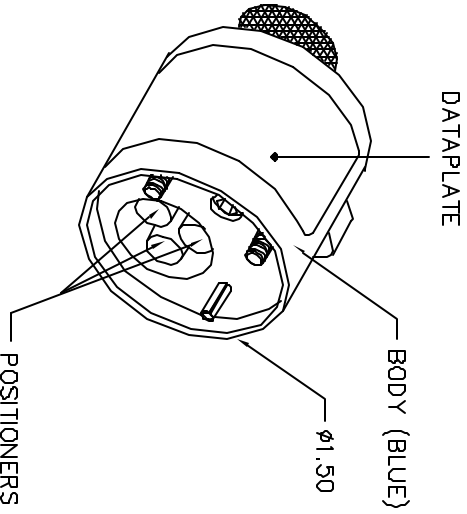


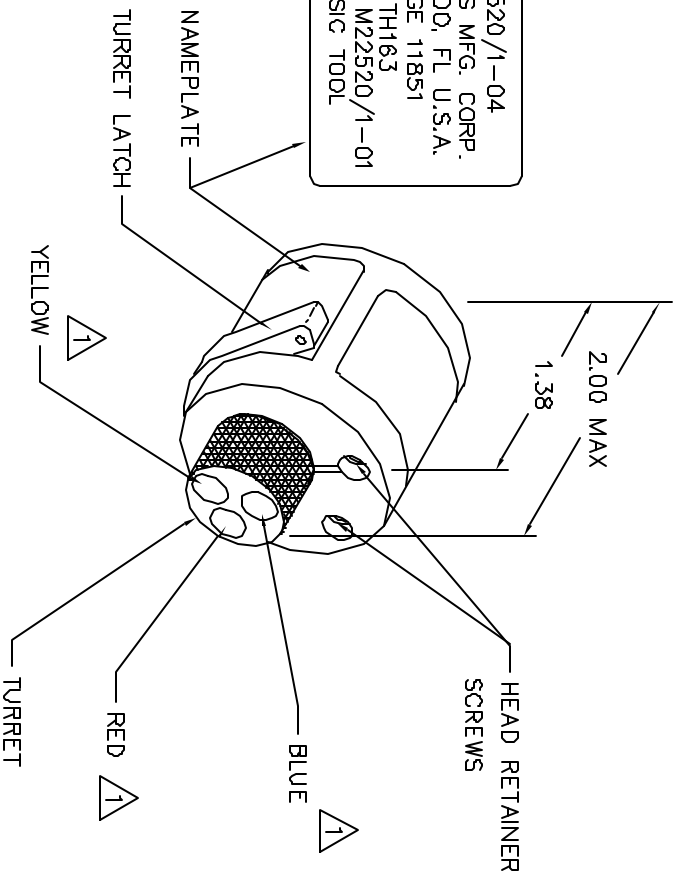
MS27655 MS27490 91,92,93,94	POSITIONER COLOR	24	22	20	18	16	14	12	WIRE SIZE
-20	RED	1	2	3					
-16	BLUE			4	5	6			
-12	YELLOW						7	8	



POSITIONER COLOR	* HOLE DIMENSIONS	ADDITIONAL FEATURES
RED	$\phi .082$ $\pm .84$ MIN.	$\sqcup \phi .096$ $\pm .050$
BLUE	$\phi .116$ $\pm .84$ MIN.	$\sqcup \phi .136$ $\pm .047$
YELLOW	$\phi .166$ $\pm .84$ MIN.	$\sqcup \phi .185$ $\pm .040$

* HOLE DEPTH DIMENSIONS ARE MEASURED FROM THE TOP OF THE POSITIONER INSERTS.

M22520/1-04
DANIELS MFG. CORP.
ORLANDO, FL U.S.A.
CAGE 11851
TH163
USE WITH M22520/1-01
BASIC TOOL



1 RANDOM ORDER OF ROTATION IS ACCEPTABLE.

REVISIONS				
REV. STYL.	E.C.D. NUMBER	DESCRIPTION	BY DATE	APP'D DATE
1		ORIGINAL RELEASE	JMS 1-31-86	RRR 2-13-86
2		REDRAWN	AMM 12-14-89	RRR 12-14-89

UNCONTROLLED DOCUMENT
WILL NOT BE UPDATED

ITEM	PART NO.	QTY.	DESCRIPTION/REMARKS										
DRWL	JMS 1-31-86		RESTRICTED & CONFIDENTIAL										
DRHS	WIS 2-3-86		DANIELS PROPERTY OR DANIELS MANUFACTURING CORP. NOT TO BE REPRODUCED TO OTHERS, REPRODUCED OR USED FOR ANY OTHER PURPOSE, EXCEPT AS AUTHORIZED IN WRITING. MUST BE RETURNED TO DANIELS MANUFACTURING CORP. ON COMPLETION OF ORDER OR OTHER PURPOSE FOR WHICH LENT.										
APFD	AMM 2-12-86												
APFD	AMM 12-14-89												
<table border="1"> <thead> <tr> <th>SIZE</th> <th>SCALE</th> <th>CAD P/N</th> <th>SHEET</th> <th>OF</th> </tr> </thead> <tbody> <tr> <td>B</td> <td>NTS</td> <td>TH163-ENV</td> <td>1</td> <td>1</td> </tr> </tbody> </table>				SIZE	SCALE	CAD P/N	SHEET	OF	B	NTS	TH163-ENV	1	1
SIZE	SCALE	CAD P/N	SHEET	OF									
B	NTS	TH163-ENV	1	1									
<table border="1"> <thead> <tr> <th>POSTING</th> <th>P/N</th> <th>REV.</th> </tr> </thead> <tbody> <tr> <td></td> <td>TH163-ENV</td> <td>2</td> </tr> </tbody> </table>				POSTING	P/N	REV.		TH163-ENV	2				
POSTING	P/N	REV.											
	TH163-ENV	2											



DANIELS MANUFACTURING CORP.
ORLANDO, FLORIDA
CAGE 11851

TITLE
ENVELOPE DRAWING
TURRET HEAD
M22520/1-04

WHERE USED: AFB