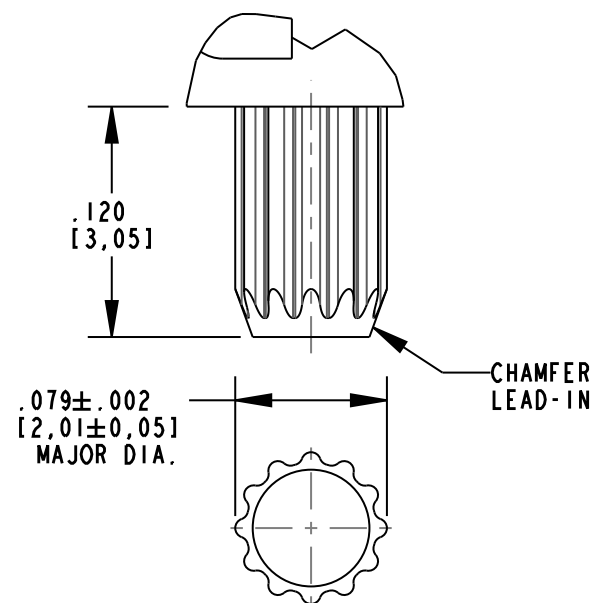
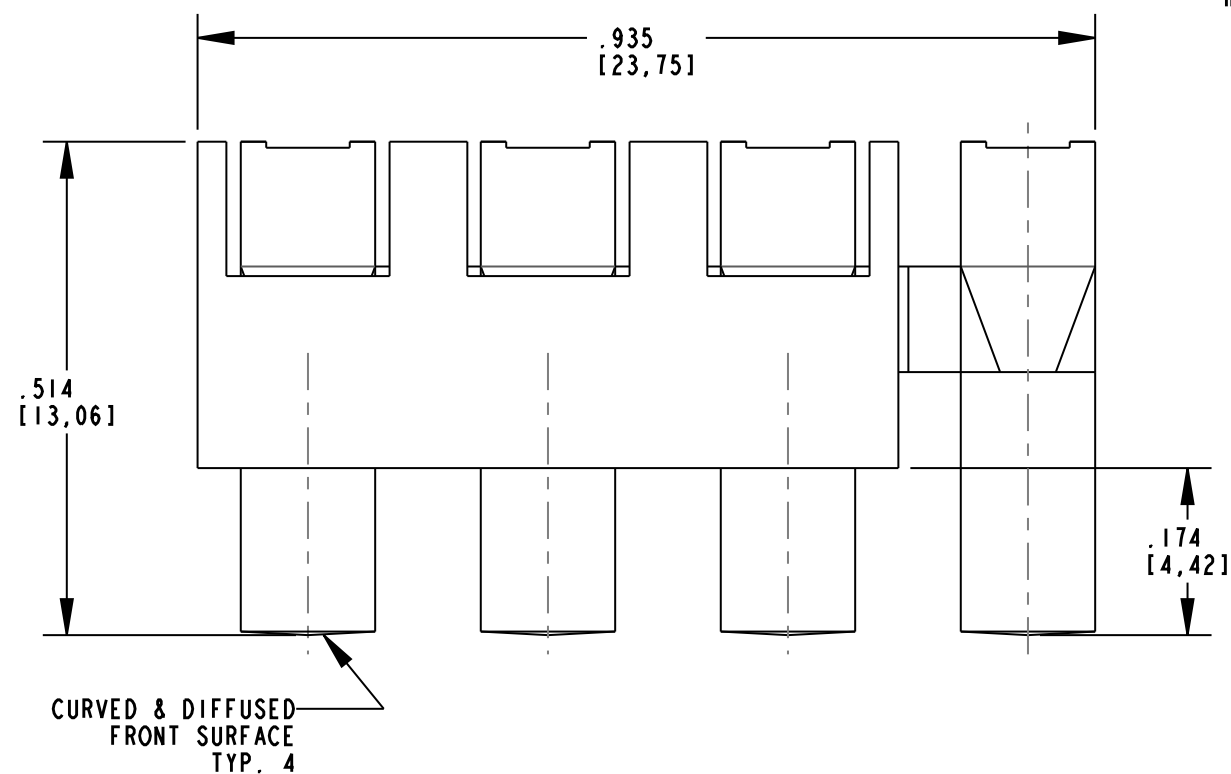


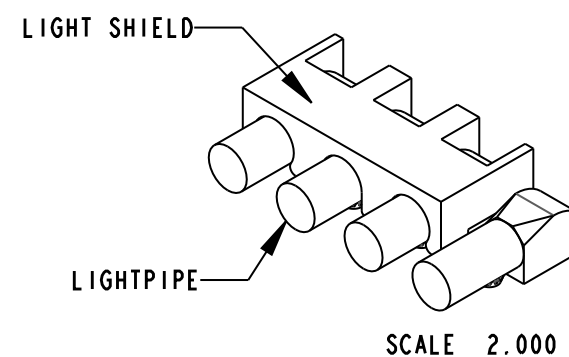
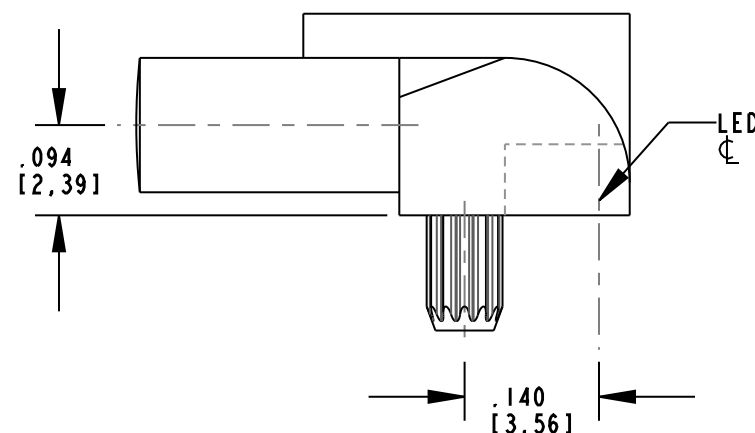
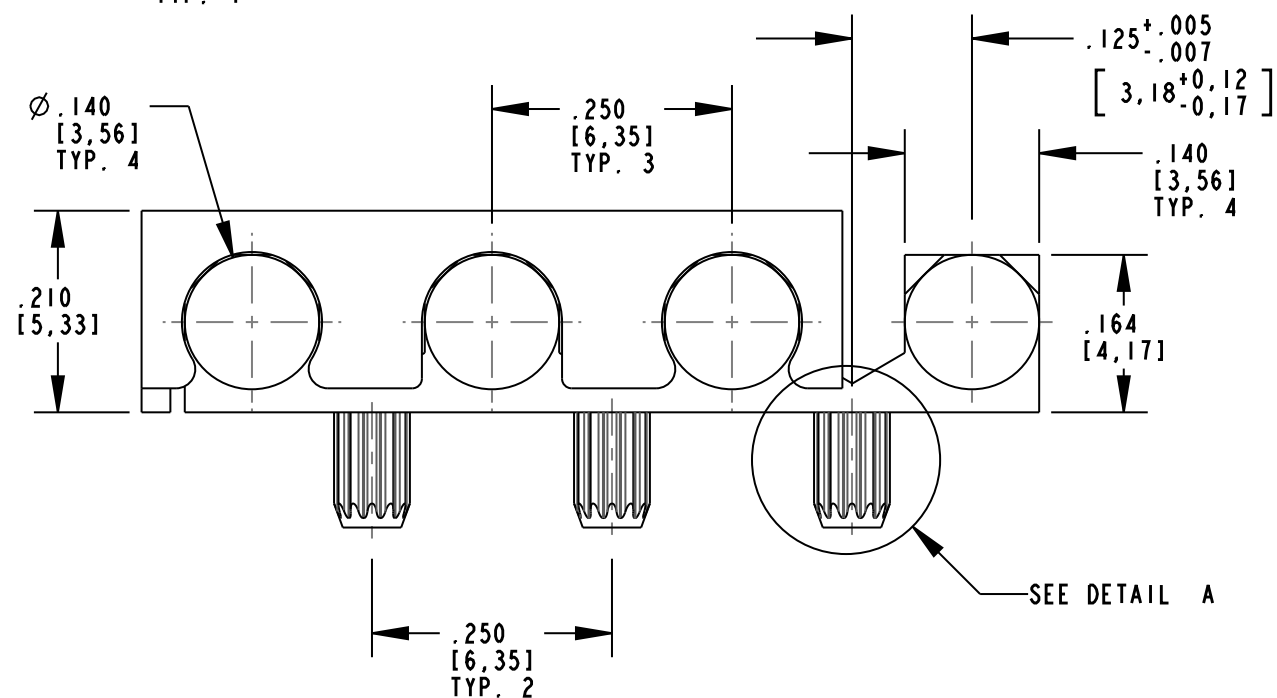
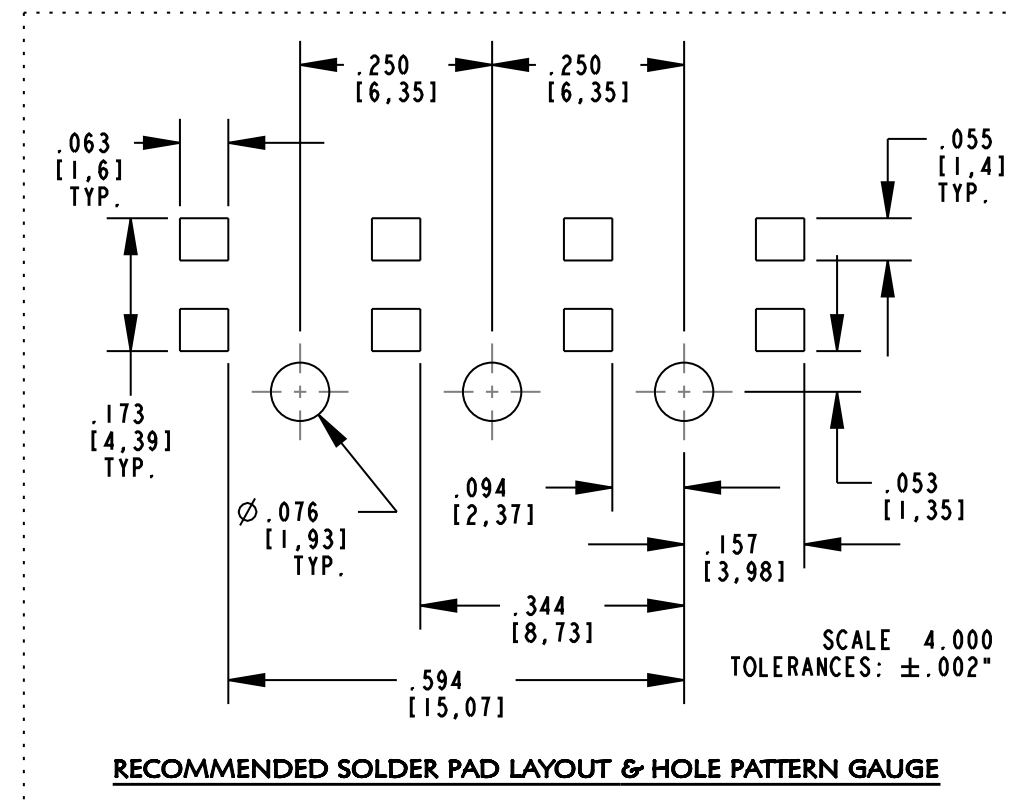
REV	ECN NO	REVISIONS	DRN	CKD	APP	DATE
A		NEW RELEASE	AJF	KLJ	NO	1-25-11

RoHS COMPLIANT 515-1020-806F

Part Numbers with the "F" suffix ending are RoHS Compliant.
Packaging is marked with "RoHS Compliant" label or equivalent markings.



DETAIL A
SCALE 10.000



NOTES:

- DIALIGHT PART NUMBER: 515-1020-806F.
- ASSEMBLY CONSISTS OF (1) 4 ELEMENT LIGHTPIPE AND (1) LIGHT SHIELD.
- ASSEMBLY DESIGNED TO BE PRESSED INTO PCB.
- LIGHTPIPE MATERIAL: CLEAR TRANSMISSIVE POLYCARBONATE (94-V0 FLAMMABILITY)
- RECOMMENDED SURFACE MOUNT LEDS DIALIGHT PART NUMBERS:
597-3111-4XXF (RED)
597-3201-4XXF (ORANGE)
597-3311-4XXF (GREEN)
597-3401-4XXF (YELLOW)

THIS DRAWING AND THE CONTENTS HEREIN ARE CONFIDENTIAL AND THE SOLE PROPERTY OF DIALIGHT. REPRODUCTION OF THIS DRAWING OR CONSTRUCTION OF ANY PARTS WITHIN THIS DRAWING ARE FORBIDDEN WITHOUT THE WRITTEN CONSENT OF DIALIGHT.

SCALE: 5.000 ALL DIM'S IN: INCHES (MM)	DRAWING NUMBER C-17903	REV A
TOLERANCES: UNLESS OTHERWISE SPECIFIED FRACTIONS: ±1/64 DECIMALS (.XX): ±.02 DECIMALS (.XXX): ±.015	TITLE 4 ELEMENT LIGHTPIPE W/ LIGHT SHIELD	
ANGLES: ±1°	MATERIAL	
FINISH:	Dialight 1501 ROUTE 34 SOUTH FARMINGDALE, NJ 07727	
FSCM 83330	SHEET 1 OF 1	FAMILY TABLE:

Mouser Electronics

Authorized Distributor

Click to View Pricing, Inventory, Delivery & Lifecycle Information:

[Dialight:](#)

[515-1020-806F](#)