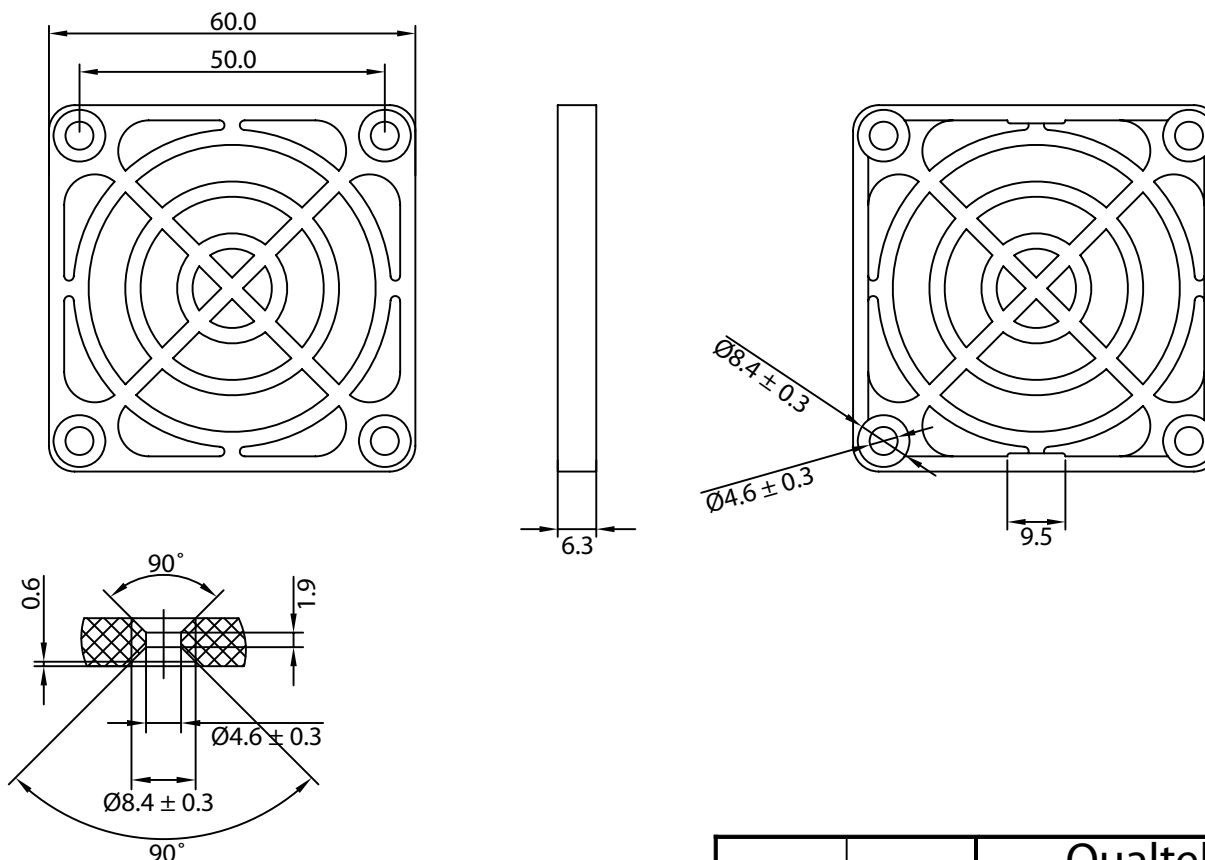


THESE DRAWINGS ARE THE PROPERTY OF QUALTEK ELECTRONICS AND NOT TO BE REPRODUCED FOR OR COMMUNICATED TO A THIRD PARTY WITHOUT THE EXPRESS WRITTEN PERMISSION OF AN OFFICER OF QUALTEK ELECTRONICS.

REVISION			
REV.	DESCRIPTION	DATE	APPROVED
B	RoHS Compliancy	06-01-06	DP
C	Updated Specifications	01-23-08	DP
D	Updated Graphics and Dimensions	05-21-10	LY
E	Added Hole Dimensions	08-19-10	LY
F	Material Update	04-15-13	LY



NOTES:

MATERIAL: PC 2805
UL94V-2
RoHS COMPLIANT

CONTROLLED

		Qualtek Electronics Corp. FAN-S DIVISION		
Dim range (mm)	Tolerance +/- (mm)	Part Number: 09250-G		RoHS Compliant
		Description: PLASTIC FAN GUARD		
0-5	0.1	UNIT: mm		REV: F
5-16	0.15	Checked / Date		Approved / Date
16-64	0.2	Drawn / Date		Approved / Date
64-250	0.4	B. ZHANG 04-12-05		JJH / 04-12-05
250-1000	0.5	04-12-05		
1000-1500	1.0			

Mouser Electronics

Authorized Distributor

Click to View Pricing, Inventory, Delivery & Lifecycle Information:

[Qualtek:](#)

[09250-G](#)