

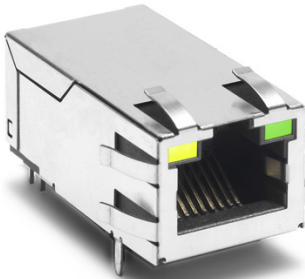
# PulseJack™

## Single-Port Gigabit PoE+



### Description:

1000 Base-T RJ45 single port with integrated magnetics - Designed for most leading PHY manufacturers with the addition of Power over Ethernet, according to IEEE 802.3at



### Features and Benefits:

- RoHS peak wave solder temperature rating 260°C
- Single port Connector for PoE applications
- High performance for maximum EMI suppression

### Electrical Specifications @ 25°C - Operating Temperature 0°C to +70°C

RoHS Compliant Part No.	Tab Option	LEDs <sup>1</sup> L/R	Insertion Loss TX/RX (dB TYP)	Return Loss (dB TYP) 100Ω (± 15 Ω)			Crosstalk (dB TYP)			Common Mode Rejection (dB TYP)		Hipot (Vrms MIN)  @ 60Hz 1 MIN
				1-100 MHz	30 MHz	60-80 MHz	100 MHz	30 MHz	60 MHz	100 MHz	1-50 MHz	
JKO-0177NL	UP	Y-G/G	-1.0	-16	-12	-10	-44	-37	-33	-27	-20	1500
JXKO-0190NL <sup>2</sup>	UP	Y-G/G	-1.0	-16	-12	-10	-44	-37	-33	-27	-20	1500

### Notes:

1. LEDs Left/Right: **G** = green; **Y** = yellow
2. JXKO: Operating temperature -40°C to +85°C.

### RJ45 Durability Testing Rating

Part Number	Mating Force (MAX)	Unmating Force (MAX)	Durability	Plug to Jack Retention (MIN)
JKO/JXKO Series	5 lbs./2.268 kgs.	5 lbs./2.268 kgs.	500 Insertions	20 lbs./9.072 kgs.

### RJ45 Material Specification

Part Number	Shield		Contact			Housing		MSL <sup>2</sup> Rating
	Material	Finish	Material	Plating Area	Solder Area	Material	Specification	
JKO/JXKO Series	Brass	20-40μ inches thick Nickel over brass	Phosphor Bronze	30μ inches gold over 30-50μ inches nickel	Tin Matte finish over nickel	Thermoplastic	UL 94 V-0	1

### Notes:

1. Connector dimensions comply with FCC dimension requirements.
2. MSL = Moisture Sensitivity Level class limits = 1 to 5 (Highest: 1; Lowest: 5)

USA 858 674 8100

Germany 49 7032 7806 0

Singapore 65 6287 8998

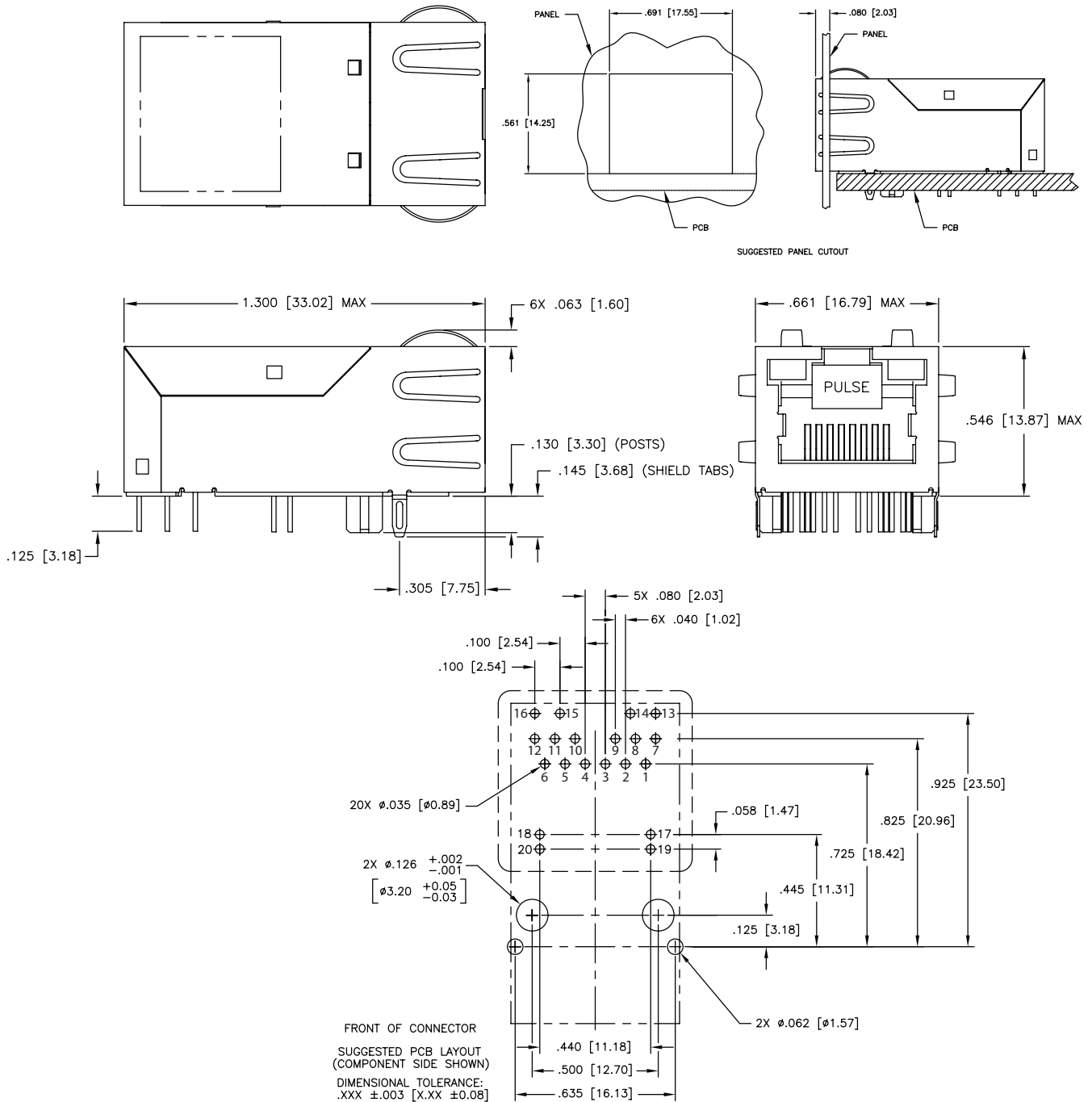
Shanghai 86 21 62787060

China 86 755 33966678

Taiwan 886 3 4356768

Mechanical

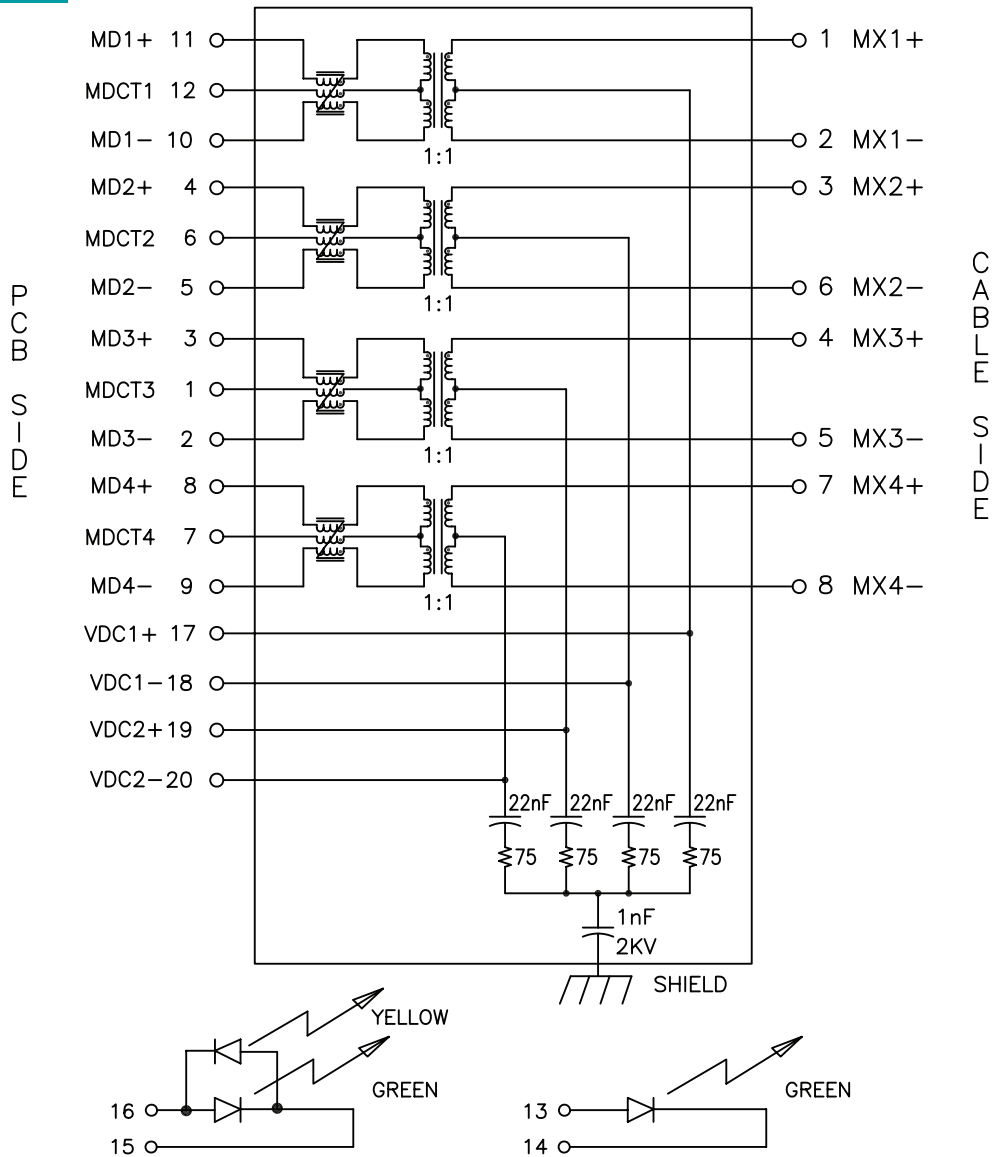
JKO-0177NL, JXKO-0190NL



# PulseJack™ Single-Port Gigabit PoE+

## Schematic

JKO-0177NL, JXKO-0190NL



## For More Information

**Pulse Worldwide Headquarters**  
12220 World Trade Drive  
San Diego, CA  
92128  
U.S.A.

Tel: 858 674 8100

**Pulse Europe**  
Einsteinstrasse 1  
D-71083 Herrenberg  
Germany

Tel: 49 7032 7806

**Pulse China Headquarters**  
B402, Shenzhen Academy of  
Aerospace Technol-  
ogy Bldg.  
10th Kejianan Road  
High-Tech Zone  
Nanshan District  
Shenzhen, PR China  
518057

**Pulse North China**  
Room 2704/2705  
Super Ocean Finance  
Ctr.  
2067 Yan An Road  
West  
Shanghai 200336  
China

**Pulse South Asia**  
135 Joo Seng Road  
#03-02  
PM Industrial Bldg.  
Singapore 368363

Tel: 65 6287 8998  
Fax: 65 6287 8998

**Pulse North Asia**  
3F, No. 198  
Zhongyuan Road  
Zhongli City  
Taoyuan County 320  
Taiwan R. O. C.  
Tel: 886 3 4356768  
Fax: 886 3 4356823  
(Pulse)

Performance warranty of products offered on this data sheet is limited to the parameters specified. Data is subject to change without notice. Other brand and product names mentioned herein may be trademarks or registered trademarks of their respective owners. © Copyright, 2012. Pulse Electronics, Inc. All rights reserved.

# Mouser Electronics

Authorized Distributor

Click to View Pricing, Inventory, Delivery & Lifecycle Information:

Pulse:

[JXK0-0190NL](#)