

Specifications

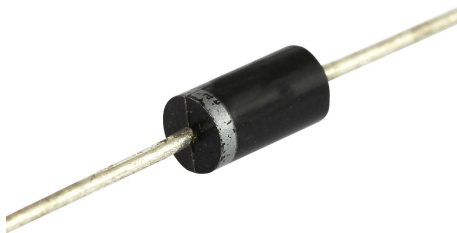
Reverse Voltage : 300V
Forward Current : 3A

Features

- Diffused junction.
- Ultra fast switching for high efficiency.
- Low reverse leakage current.
- Low forward voltage drop.
- High current capability.

Mechanical Data

Case : JEDEC DO-27 moulded plastic
Polarity : Colour band denotes cathode
Weight : 0.04oz, 1.1g
Mounting Position : Any



Maximum Ratings and Electrical Characteristics

Rating at 25°C ambient temperature unless otherwise specified.

Single phase, half wave, 60Hz, resistive or inductive load.

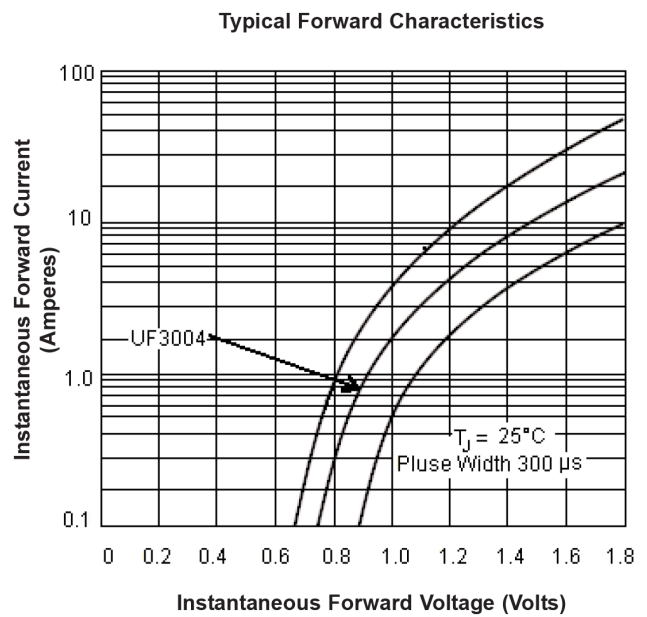
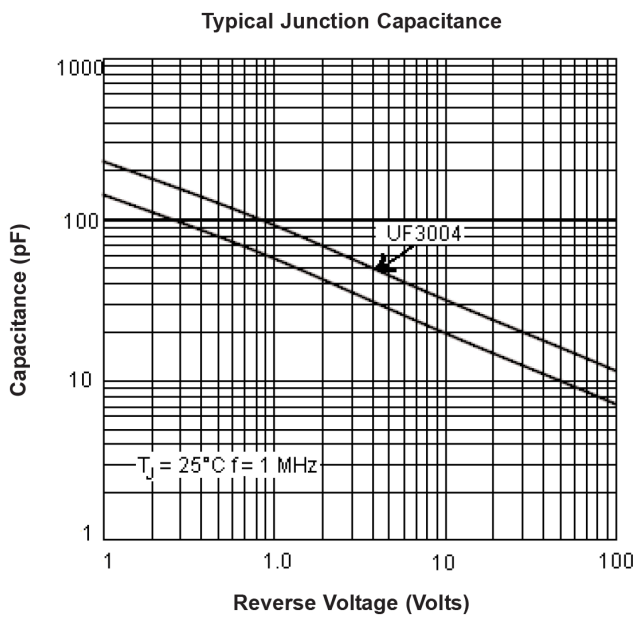
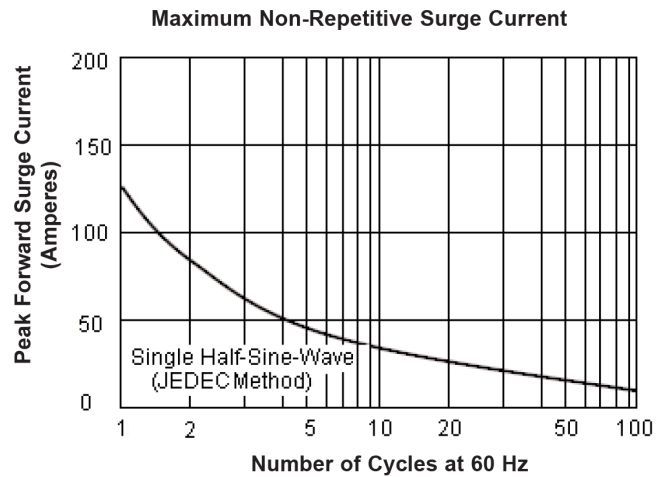
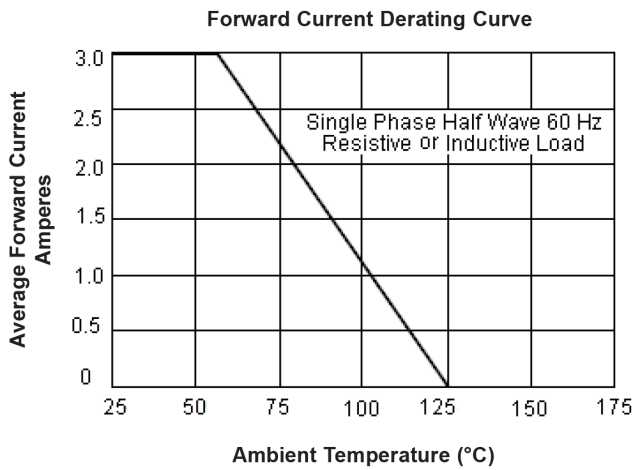
For capacitive load, derate current by 20%

Characteristics	Symbol	Values	Unit
Maximum Recurrent Peak Reverse Voltage	V_{RRM}	300	V
Maximum RMS Voltage	V_{RMS}	210	
Maximum DC Blocking Voltage	V_{DC}	300	
Maximum Average Forward Rectified Current 0.375" (9.5mm) Lead Lengths @ $T_A=55^{\circ}C$	$I_{(AV)}$	3	A
Bakelite Peak Forward Surge Current 8.3ms Single Half Sine-Wave Super Imposed on Rated Load(JEDEC Method)	I_{FSM}	125	
Peak Forward Voltage at 2A DC	V_F	1.3	V
Maximum DC Reverse Current @ $T_J=25^{\circ}C$ at Rated DC Blocking Voltage @ $T_J=100^{\circ}C$	I_R	5 100	μA
Maximum Reverse Recovery Time (Note 1)	T_{RR}	50	nS
Typical Junction Capacitance (Note 2)	C_J		pF
Typical Thermal Resistance (Note 3)	$R_{\theta JA}$	20	$^{\circ}C/W$
Operating Temperature Range	T_J	-55 to +125	$^{\circ}C$
Storage Temperature Range	T_{STG}	-55 to +150	

Notes:

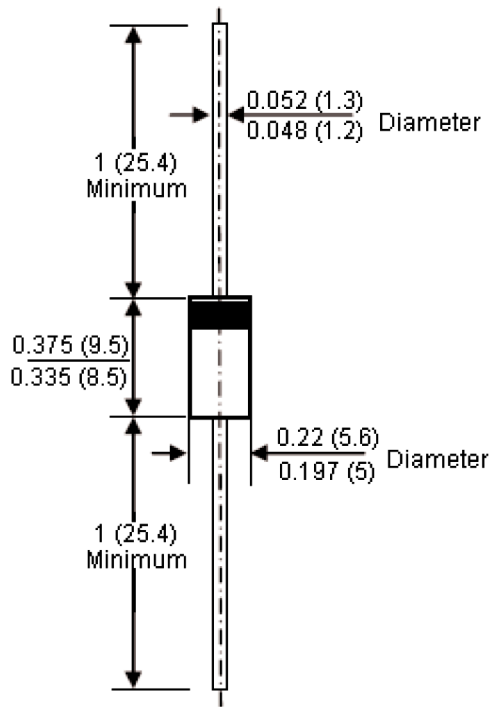
1. Measured with $I_F = 0.5A$, $I_R = 1A$, $I_{RR} = 0.25A$.
2. Measured at 1MHz and applied reverse voltage of 4V DC.
3. Thermal resistance junction to ambient.

Rating and Characteristic Curves:



Diagram

DO - 27



Dimensions : Inches (Millimetres)

Part Number Table

Description	Part Number
Ultra Fast Rectifier, 300V, 3A	UF3004

Important Notice : This data sheet and its contents (the "Information") belong to the members of the AVNET group of companies (the "Group") or are licensed to it. No licence is granted for the use of it other than for information purposes in connection with the products to which it relates. No licence of any intellectual property rights is granted. The Information is subject to change without notice and replaces all data sheets previously supplied. The Information supplied is believed to be accurate but the Group assumes no responsibility for its accuracy or completeness, any error in or omission from it or for any use made of it. Users of this data sheet should check for themselves the Information and the suitability of the products for their purpose and not make any assumptions based on information included or omitted. Liability for loss or damage resulting from any reliance on the Information or use of it (including liability resulting from negligence or where the Group was aware of the possibility of such loss or damage arising) is excluded. This will not operate to limit or restrict the Group's liability for death or personal injury resulting from its negligence. Multicomp Pro is the registered trademark of Premier Farnell Limited 2019.

Newark.com/multicomp-pro
 Farnell.com/multicomp-pro
 Element14.com/multicomp-pro