



19" Fiber Optic Enclosure 1U Sliding Type, Empty, without Front Panel

Technical Features

Sliding type steel housing, 483x44,5x244 mm

Capacity up to 24 Ports for LC Duplex or SC Simplex

Modular design, without front panel, pigtails, or adapters

Quick-mount feature allows easy installation

Suitable for field-termination and fusion splicing with pigtails

M6 fixing set, cable ties and cable glands included

Part no.	Color	EAN Code
FB0001B	RAL9005 Black	4052792040098
FB0001G	RAL7035 Light Grey	4052792040081



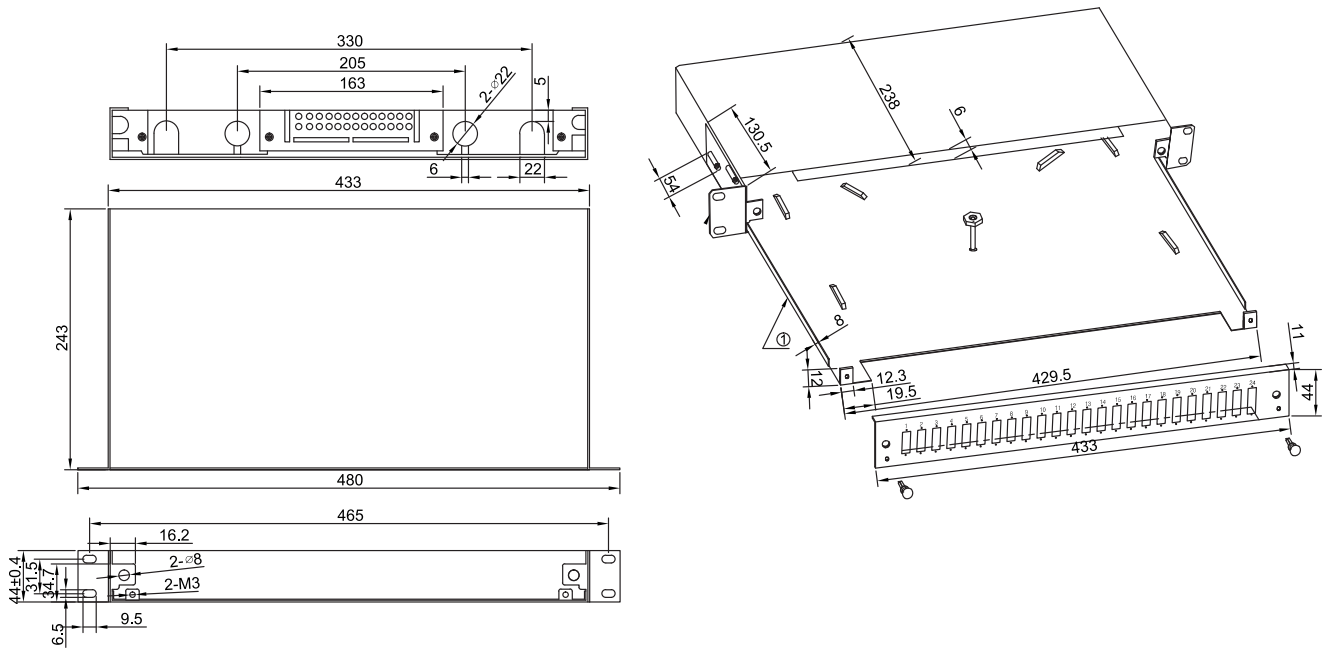
www.logilink.de



RoHS
compliant



Technical Drawings



Package Contents

19" Fiber Optic Enclosure 1U x 1

Packaging Informations

Packing Dimension	440 x 225 x 5 mm
Packing Weight	2.6kg
Carton Dimension	480 x 310 x 280mm
Carton Q'ty	5pcs
Carton Weight	15kg