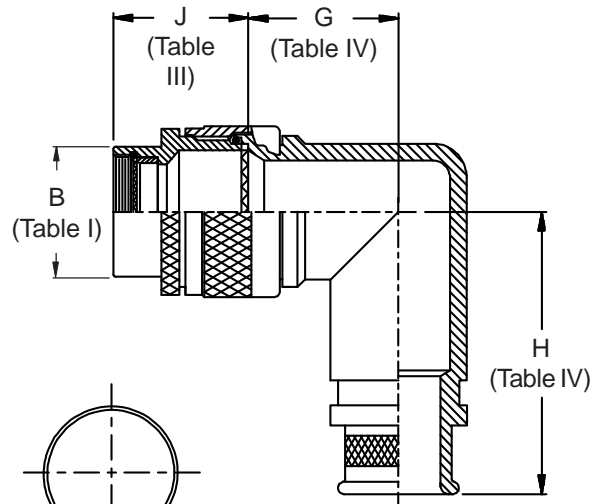
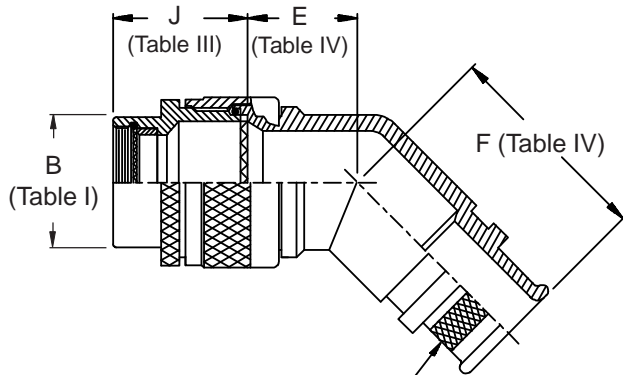
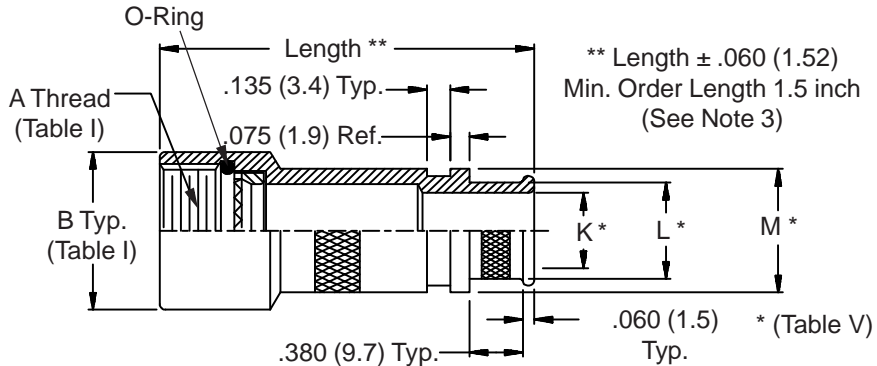
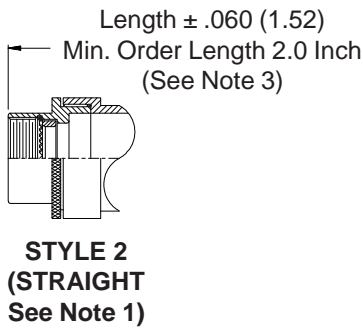
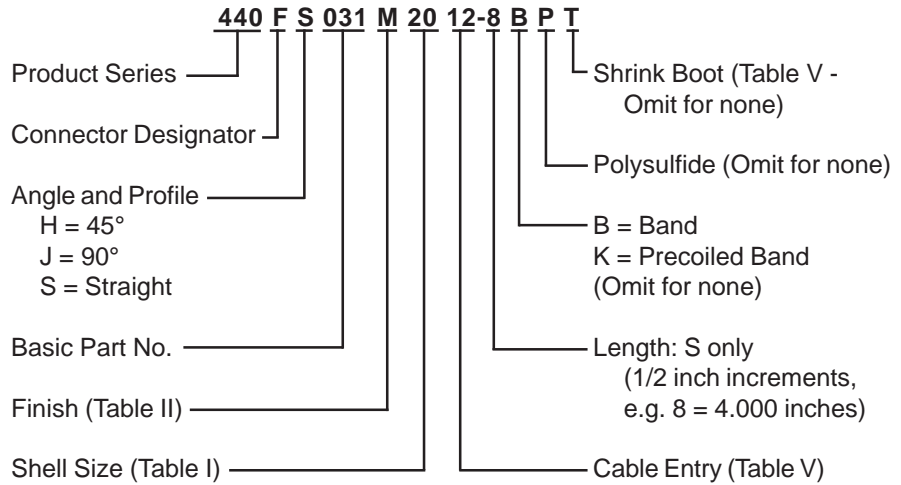
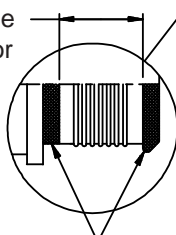


CONNECTOR DESIGNATORS
A-B*-C-D-E-F
G-H-J-K-L-S
 * Conn. Desig. B See Note 5
DIRECT COUPLING



Termination Area Free of Cadmium. Knurl or Ridges Mfr's Option



Band Option
 (K Option Shown - See Note 6)

See inside back cover fold-out or pages 13 and 14 for Tables I and II.

TABLE III: FRONT ADAPTER

Shell Size	J Max - Conn. Designator		
	A-E-F		
	J-H-L-S	D-B-G-K	C
08/09	1.180 (30.0)	1.250 (31.8)	
10/11	1.180 (30.0)	1.250 (31.8)	
12/13	1.180 (30.0)	1.250 (31.8)	1.735 (44.1)
14/15	1.180 (30.0)	1.250 (31.8)	1.915 (48.6)
16/17	1.380 (35.0)	1.560 (39.6)	1.915 (48.6)
18/19	1.380 (35.0)	1.560 (39.6)	1.915 (48.6)
20/21	1.380 (35.0)	1.560 (39.6)	1.915 (48.6)
22/23	1.380 (35.0)	1.560 (39.6)	1.915 (48.6)
24/25	1.380 (35.0)	1.560 (39.6)	1.915 (48.6)
28/29	1.610 (40.9)	1.560 (39.6)	1.915 (48.6)
32/33	1.610 (40.9)	1.750 (44.5)	1.915 (48.6)
36	1.610 (40.9)	1.750 (44.5)	1.915 (48.6)
40	1.610 (40.9)	2.190 (55.6)	1.915 (48.6)

TABLE IV: ELBOW DIMENSIONS

Dash No.(s)	E Max	F Max	G Max	H Max
01	.625 (15.9)	.940 (23.9)	.732 (18.6)	1.078 (27.4)
02 & 31	.625 (15.9)	.940 (23.9)	.732 (18.6)	1.078 (27.4)
03 & 32	.688 (17.5)	1.000 (25.4)	.757 (19.2)	1.108 (28.1)
04 & 33	.711 (18.1)	1.050 (26.7)	.781 (19.8)	1.128 (28.7)
05 & 34	.781 (19.8)	1.150 (29.2)	.825 (21.0)	1.178 (29.9)
06 & 35	.841 (21.4)	1.188 (30.2)	.896 (22.8)	1.190 (30.2)
07 & 36	.866 (22.0)	1.208 (30.7)	1.093 (27.8)	1.250 (31.8)
08 & 37	.893 (22.7)	1.248 (31.7)	1.250 (31.8)	1.320 (33.5)
09 & 38	.916 (23.3)	1.278 (32.5)	1.312 (33.3)	1.380 (35.1)
10	1.134 (28.8)	1.448 (36.8)	1.375 (34.9)	1.500 (38.1)
11	1.134 (28.8)	1.448 (36.8)	1.375 (34.9)	1.500 (38.1)
12	1.185 (30.1)	1.488 (37.8)	1.687 (42.8)	1.620 (41.1)
13	1.185 (30.1)	1.488 (37.8)	1.687 (42.8)	1.620 (41.1)
14	1.225 (31.1)	1.538 (39.1)	1.812 (46.0)	1.750 (44.5)
15	1.225 (31.1)	1.538 (39.1)	1.812 (46.0)	1.750 (44.5)

TABLE V: CABLE ENTRY

Dash No.	K	L	M	Shrink Boot
01	.125 (3.2)	.250 (6.4)	.312 (7.9)	770-003S111
31	.188 (4.8)	.312 (7.9)	.374 (9.5)	770-003S111
02	.250 (6.4)	.375 (9.5)	.437 (11.1)	770-003S112
32	.312 (7.9)	.438 (11.1)	.500 (12.7)	770-003S112
03	.375 (9.5)	.500 (12.7)	.562 (14.3)	770-001S103
33	.438 (11.1)	.562 (14.3)	.624 (15.8)	770-001S104
04	.500 (12.7)	.625 (15.9)	.687 (17.4)	770-001S104
34	.562 (14.3)	.688 (17.5)	.750 (19.1)	770-001S104
05	.625 (15.9)	.750 (19.1)	.812 (20.6)	770-001S104
35	.688 (17.5)	.812 (20.6)	.874 (22.2)	770-001S104
06	.750 (19.1)	.875 (22.2)	.937 (23.8)	770-001S105
36	.812 (20.6)	.938 (23.8)	1.000 (25.4)	770-001S105
07	.875 (22.2)	1.000 (25.4)	1.062 (27.0)	770-001S105
37	.938 (23.8)	1.062 (27.0)	1.124 (28.5)	770-001S105
08	1.000 (25.4)	1.125 (28.6)	1.187 (30.1)	770-001S106
38	1.062 (27.0)	1.188 (30.2)	1.250 (31.8)	770-001S106
09	1.125 (28.6)	1.250 (31.8)	1.312 (33.3)	770-001S107
10	1.250 (31.8)	1.375 (34.9)	1.437 (36.5)	770-001S107
11	1.375 (34.9)	1.500 (38.1)	1.562 (39.7)	770-001S107
12	1.500 (38.1)	1.625 (41.3)	1.687 (42.8)	770-001S107
13	1.625 (41.3)	1.750 (44.5)	1.812 (46.0)	770-001S108
14	1.750 (44.5)	1.875 (47.6)	1.937 (49.2)	770-001S108
15	1.875 (47.6)	2.000 (50.8)	2.062 (52.4)	770-001S109
16	2.000 (50.8)	2.125 (54.0)	2.187 (55.5)	770-001S109

1. When maximum cable entry (page 22) is exceeded, Style 2 will be supplied. (Function S only).
2. Metric dimensions (mm) are indicated in parentheses.
3. Consult factory for shorter lengths on straight backshells.
4. See page 40 for Shrink Boot Reference Information.
5. When using Connector Designator B refer to pages 18 and 19 for part number development.
6. Backshells supplied with 600-052-* band, see Glenair Series 600 Tool Catalog for installation.

Mouser Electronics

Authorized Distributor

Click to View Pricing, Inventory, Delivery & Lifecycle Information:

Glenair:

[440GS031NF1102-3BT](#) [440GS031NF1103-3BT](#) [440GS031NF1302-3BT](#) [440GS031NF1304-3BT](#)
[440GS031NF1502-3BT](#) [440GS031NF1503-4BT](#) [440GS031NF1505-3BT](#) [440GS031NF1531-3BT](#) [440GS031NF1533-3BT](#) [440GS031NF1536-3BT](#) [440GS031NF1702-3BT](#) [440GS031NF1703-3BT](#) [440GS031NF1704-3BT](#)
[440GS031NF1733-3BT](#) [440GS031NF1935-4BT](#) [440GS031NF2304-3BT](#) [440GS031NF2306-4BT](#) [440GS031NF2334-3BT](#) [440GS031NF3308-4BT](#) [440GS084NF1508-3BI](#) [440HS031M1102-3BT](#) [440HS031M1503-3](#) [440HS031M1703-3](#) [440HS031M2504-3](#) [440HS031N1102-3BT](#) [440HS031NF0902-3](#) [440HS031NF1102-3BT](#) [440HS031NF2508-4P](#) [440HS031NF1103-4KT](#) [440HS031NF1103-4K](#) [440GH031NF2336-BT](#) [440GS031NF1504-3BT](#) [440GS031NF1535-4BT](#) [440GS031NF1904-3BT](#) [440GS031NF1904-4BT](#) [440GS031NF1908-4BT](#) [440GS031NF1936-4BT](#) [440GS031NF2302-4BT](#) [440GS031NF2336-4BT](#) [440GS031NF2536-3BT](#) [440GS031NF2537-4BT](#) [440GJ031NF1536-BT](#) [440GJ031NF1706-BT](#) [440GS031NF1331-4BT](#) [440GS031NF1503-3BT](#) [440GS031NF1505-4BT](#) [440GS031NF1534-5BT](#) [440GS031NF2308-4BT](#) [440GS031NF2332-4BT](#) [440GS031NF2333-4BT](#) [440GS031NF2503-3BT](#) [440GS031NF2534-5BT](#) [440GS031NF3310-4BT](#) [440GS074NF1306-3K](#) [440HS031NF1502-3BT](#) [440HS031Z11533-4BT-372](#) [440GS031NF1502-4BT](#) [440GS031NF1705-3BT](#) [440GS031NF1902-3BT](#) [440GS031NF2536-4BT](#) [440JS031NF1632-3BT](#) [440HS031NF0932-3B](#) [440HS031NF1104-4B](#) [440HS031ZN1504-3KT](#) [440GS031NF1504-4BT](#) [440GS031NF1903-4BT](#) [440HS031NF0902-3B](#) [440HS031Z12304-6B](#) [440HS031NF1302-3BT](#) [440BS031NF1703-3KTA](#) [440AS030M1403-3](#) [440FJ031NF1606](#) [440GS031NF1106-4BT](#) [440GS031NF1508-4BT](#) [440HS031NF1110-4BT](#) [440DS031NF1403-3B](#) [440AS030NF1433-3](#) [440DJ031NF1404](#) [440HD031B1304-B](#) [440DS031NF0802-3BT](#) [440HS031M1103-3B](#) [440HS031M1305-4B](#) [440MS135ZNU1210-6](#) [440BJ031NF1703-KTA](#) [440AS031M1033-4K](#) [440AS031Z12413-4K](#) [440DJ031NF1002](#) [440DJ031NF1403](#) [440DS031B0833-4K](#) [440DS031ZR1202-3](#) [440DS031ZR1433-3](#) [440ES031B1832-3](#) [440HH031M1303-B](#) [440HJ031M1503-B](#) [440HS031M2103-3B](#) [440HS031M2108-3B](#) [440AS031M0802-3](#) [440AS031NF1403-3](#) [440DJ031NF1402](#) [440DS031NF0802-4](#)