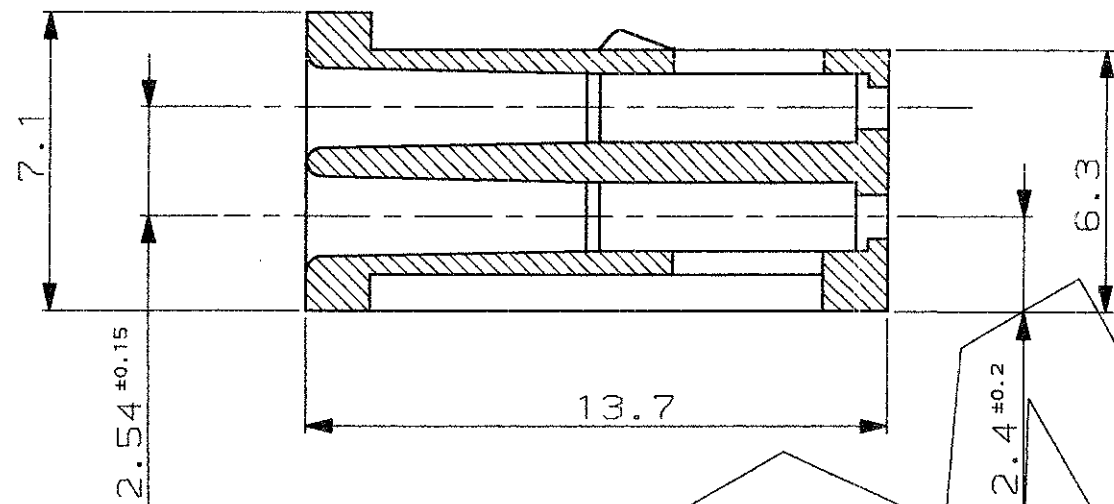
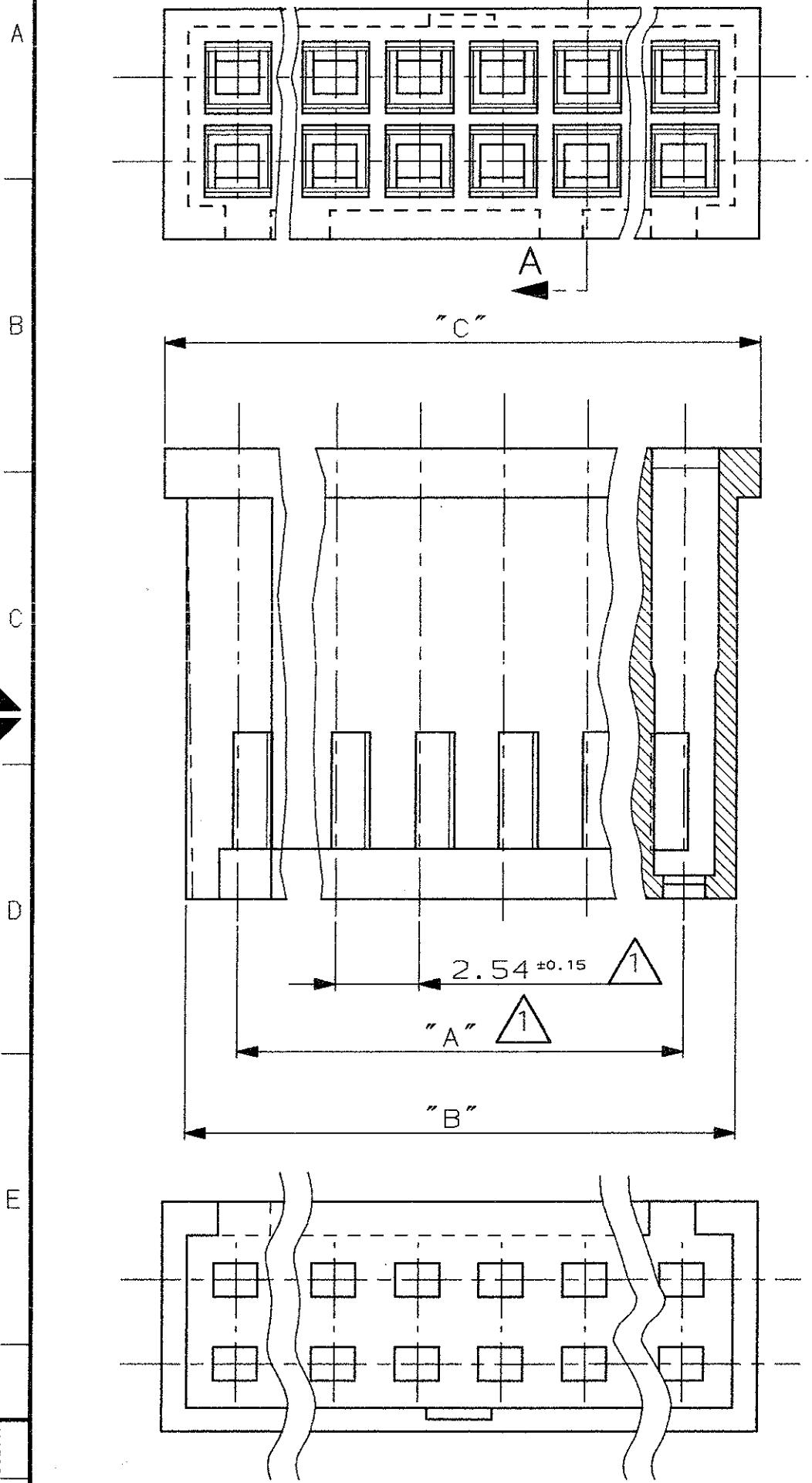


SECTION A-A

SCALA NON IMPEGNATIVA  
(DO NOT SCALE)  
DIMENSIONI IN mm  
(DIMENSIONS IN mm)

METRIC

PROIEZIONE AMERICANA  
(THIRD ANGLE PROJECTION)



△ 1 Tolleranza non cumulativa  
(Non-cumulative tolerance)

Nr. Pos.	Part Number	Dim "A"	Dim "B"	Dim "C"
5	284123-1	10.16	13.2	14.7
22	280369	53.34	56.4	57.9
8	281018	43.18	46.2	47.8
15	280368	35.56	38.6	40.1
12	280515	27.94	31	32.5
9	280513	20.32	23.3	24.9
8	280366	17.78	20.8	22.3
6	282792-1	12.7	15.7	17.2
4	280365	7.62	10.6	12.2

CUSTOMER DRAWING  
FOR REFERENCE ONLY

DISEGNO PER CLIENTE  
SOLO PER RIFERIMENTO

THIS DRAWING IS UNPUBLISHED | RELEASE FOR PUBLICATION | 19

© COPYRIGHT 19 BY AMP INCORPORATED, HARRISBURG, PA. ALL INTERNATIONAL RIGHT RESERVED. AMP PRODUCTS MAY BE COVERED BY U.S. AND FOREIGN PATENT AND/OR PATENT PENDING

TOLLERANZE, SE NON DIVERSAMENTE SPECIFICATO | MATERIALI (MATERIALS) | SCALA (SCALE)

± 0.3 | NORYL (UL94-V1) | Colore nero (Black colour)

ANGOLI (ANGLES) ± 2° | **AMP** AMP ITALIA S.p.A. Corso F.lli Cervi, 15 COLLEGGNO (TORINO)

DIS. M. SCOMPARI 2 JAN 96 | DESCRIZIONE (DESCRIPTION) AMPMODU Mod. II Rec.

CONT. R. CANTORE 2 JAN 96 | HSG, Double Row, Crimp Snap-in.

APP. (APP.) | LOC. SIZE NUMERO (DWG NO) | REV. | FOGLIO (SHEET)

I A3 C - 280365 | Z 1 (OF) 1

REV. (REVISION RECORD) | DIS. DATA (COR) (DATE)

DISTRIBUZIONE (PRINT DIST.)