

THIS DRAWING IS UNPUBLISHED.

RELEASED FOR PUBLICATION

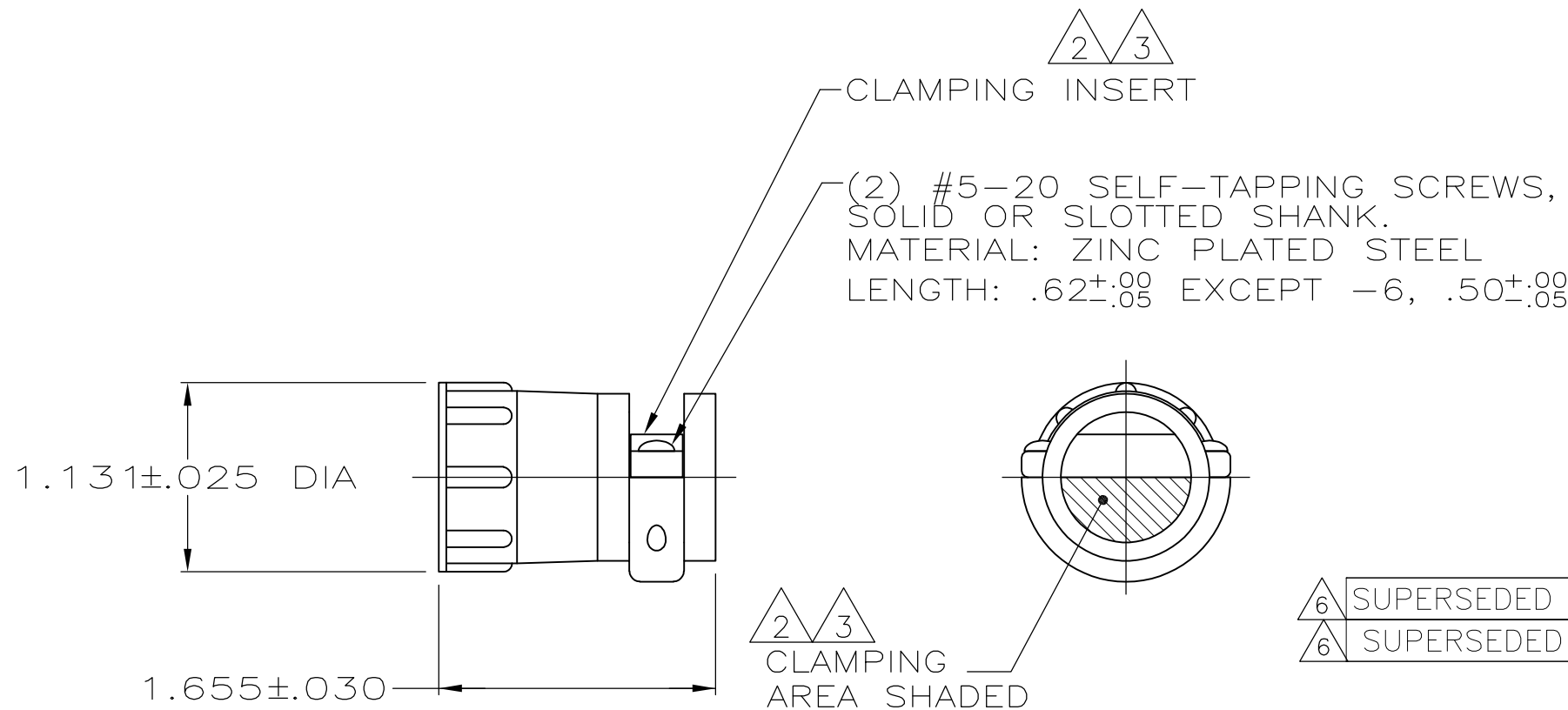
---

ALL RIGHTS RESERVED.


© COPYRIGHT - By -

LOC	DIST	REVISIONS			
P	LTR	DESCRIPTION	DATE	DWN	APVD
		P3	REVISED PER ECO-11-004587	11MAR11	RK HMR

- 1 PARTS PACKAGED UNASSEMBLED.
- △2 CABLE CLAMPING AREA ADJUSTABLE FROM .100 TO .410 SQ IN BY REVERSING CLAMPING INSERTS. (2 INSERTS SUPPLIED, -1 AND -2 ONLY)
- △3 CABLE CLAMPING AREA ADJUSTABLE FROM .100 TO .410 SQ IN BY CHANGING CLAMPING INSERTS. (4 INSERTS SUPPLIED, -4 ONLY)
- 4 .703 MAXIMUM CABLE OUTSIDE DIAMETER.
- △5 BULK PACKAGED KITS TO BE ORDERED IN MULTIPLES OF 100 ONLY.
- △6 NON-HEXAVALENT CHROMATE FINISH.
- △7 OBSOLETE PARTS: OBSOLETE CIS STREAMLINING PER D.RENAUD/D.SINISI



PACKAGING	PART NUMBER
△6 INDIVIDUAL	1-206322-1
△6 △5 BULK	1-206322-0
△6 INDIVIDUAL	206322-9
△6 △7 OBSOLETE - SMALL PACK	206322-8
△6 △7 OBSOLETE - INDIVIDUAL	206322-7
△6 △5 BULK	206322-6
△7 △6 OBSOLETE - SMALL PACK	206322-5
△6 OBSOLETE - INDIVIDUAL	206322-4
△6 SUPERSEDED BY 1-206322-0	△5 BULK 206322-2
△6 SUPERSEDED BY 206322-9	INDIVIDUAL 206322-1

THIS DRAWING IS A CONTROLLED DOCUMENT.		DWN A GRAFF 4/23/91	 TE Connectivity	
DIMENSIONS: INCHES		CHK W.G.LENKER 7-22-92		
TOLERANCES UNLESS OTHERWISE SPECIFIED:		APVD -	NAME CABLE CLAMP KIT, LARGE, SHELL SIZE 17, CPC	
0 PLC ± - 1 PLC ± - 2 PLC ± - 3 PLC ± - 4 PLC ± - ANGLES ± -		PRODUCT SPEC 108-10024	SIZE A3	
MATERIAL THERMOPLASTIC		FINISH -	APPLICATION SPEC -	CAGE CODE 00779
		WEIGHT -	DRAWING NO C-206322	RESTRICTED TO -
CUSTOMER DRAWING			SCALE NTS	SHEET 1 OF 1
			REV P3	

# Mouser Electronics

Authorized Distributor

Click to View Pricing, Inventory, Delivery & Lifecycle Information:

[TE Connectivity:](#)

[1-206322-0](#)