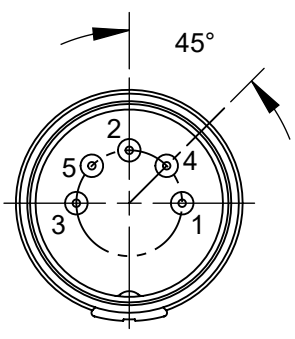
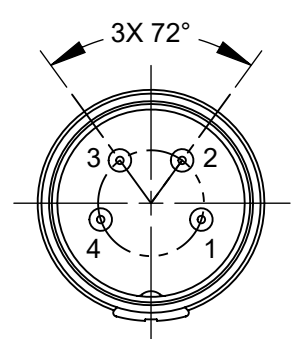


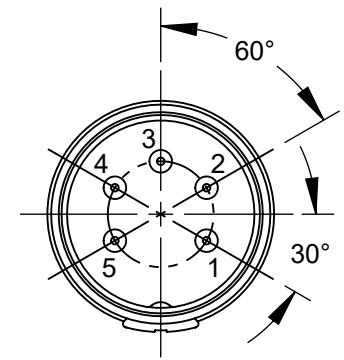
05BL3MX
3 PINS AT 180°



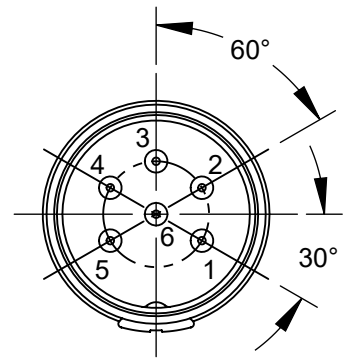
05BL5MX
5 PINS AT 180°



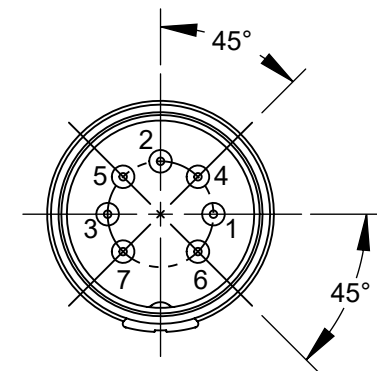
09BL4MX
4 PINS AT 216°



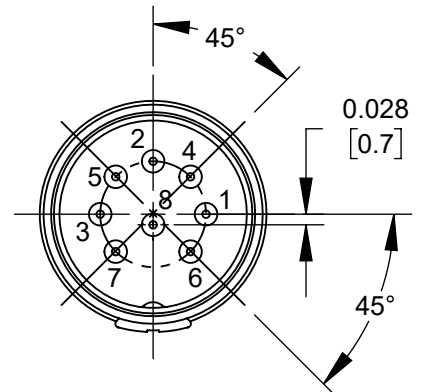
12BL5MX
5 PINS AT 240°



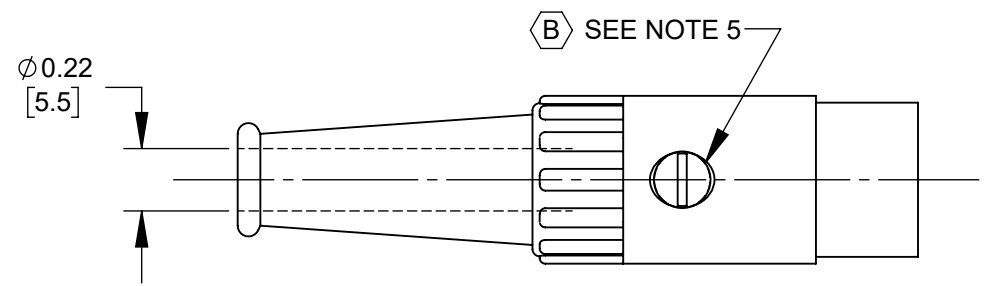
12BL6MX
6 PINS AT 240°



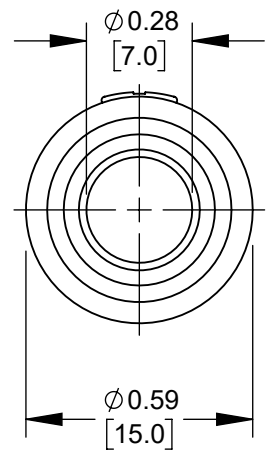
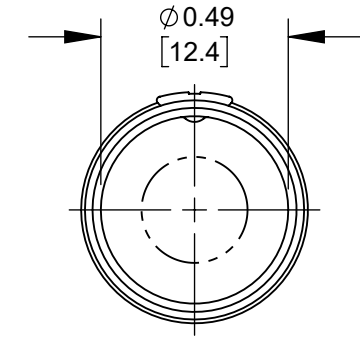
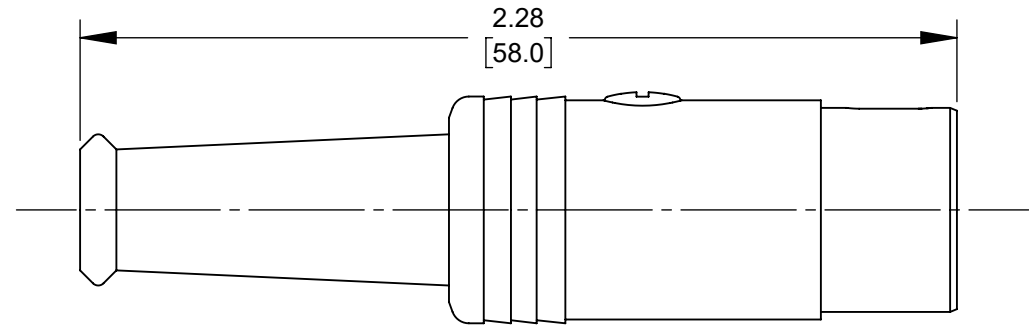
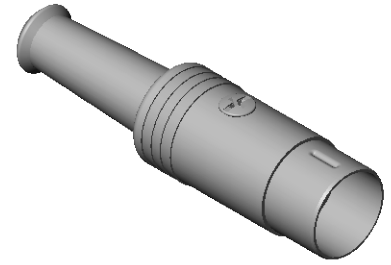
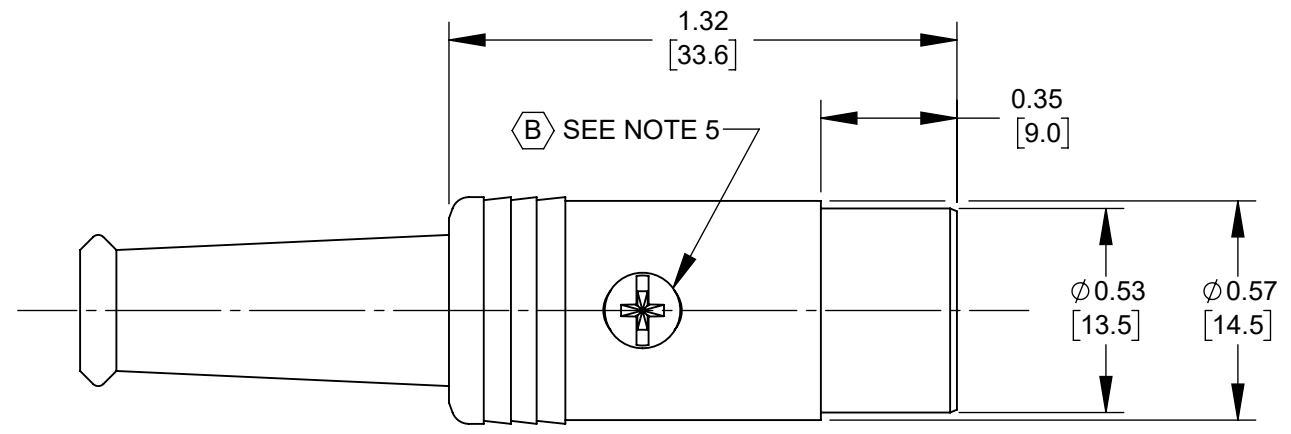
15BL7MX
7 PINS AT 270°



15BL8MX
8 PINS AT 270°



ALTERNATE DESIGN
NICKEL PLATED ZINC ALLOY HOUSING
SCALE 3:2



CUSTOMER DRAWING

- NOTES:
- PARTS SHIPPED ASSEMBLED.
 - Ø 0.04 [1.0mm] X 0.06 [1.5mm] DEEP HOLE IN PIN FOR SOLDERING.
 - MATERIALS:
HOUSING - COPPER ALLOY, NICKEL PLATED
FLEX RELIEF - THERMOPLASTIC, BLACK
INSERT - THERMOPLASTIC, BLACK
PINS - COPPER ALLOY, TIN PLATED
CABLE CLAMP - STEEL, NICKEL PLATED
SCREW - STEEL, NICKEL PLATED
 - THESE PRODUCTS ARE RoHS COMPLIANT.

B 5. SCREW DRIVE MAY BE SLOTTED, CROSS RECESS, T8, COMBINATION SLOTTED/CROSS RECESS OR COMBINATION SLOTTED/T8.

REV	ECO NUMBER	DATE	BY	APVD
B	28667	3/28/24	PC	TJK
A	25265 & 26000	3/3/06	TJK	TJK

UNLESS OTHERWISE SPECIFIED

1. ALL DIMENSIONS IN INCHES [mm]
- TWO PLACE DECIMALS ±0.02 [0.5]
- THREE PLACE DECIMALS ±0.005 [0.13]

DO NOT SCALE DRAWING

THIS DRAWING DESCRIBES A DESIGN CONSIDERED PROPRIETARY IN NATURE, DEVELOPED AND MANUFACTURED BY SWITCHCRAFT INC. AND IS RELEASED ON A CONFIDENTIAL BASIS FOR IDENTIFICATION PURPOSES ONLY.									
SIZE	WIDTH	MULT	LBS/M	TEMPER					
FINISH					MATERIAL				
SPEC No.					SPEC No.				
FIRST USED ON					SCALE 2:1				
DATE DRAWN	BY	CHKD TO	APVD TJK						
5-10-13	TO	5-10-13	5-13-13						
NAME MALE DIN, 3-8 PIN CORD PLUG CONNECTOR, RoHS					PART No. 05BL_MX, 09BL_MX, 12BL_MX, 15BL_MX SERIES				
					SHEET 1 OF 1				
					REV B				