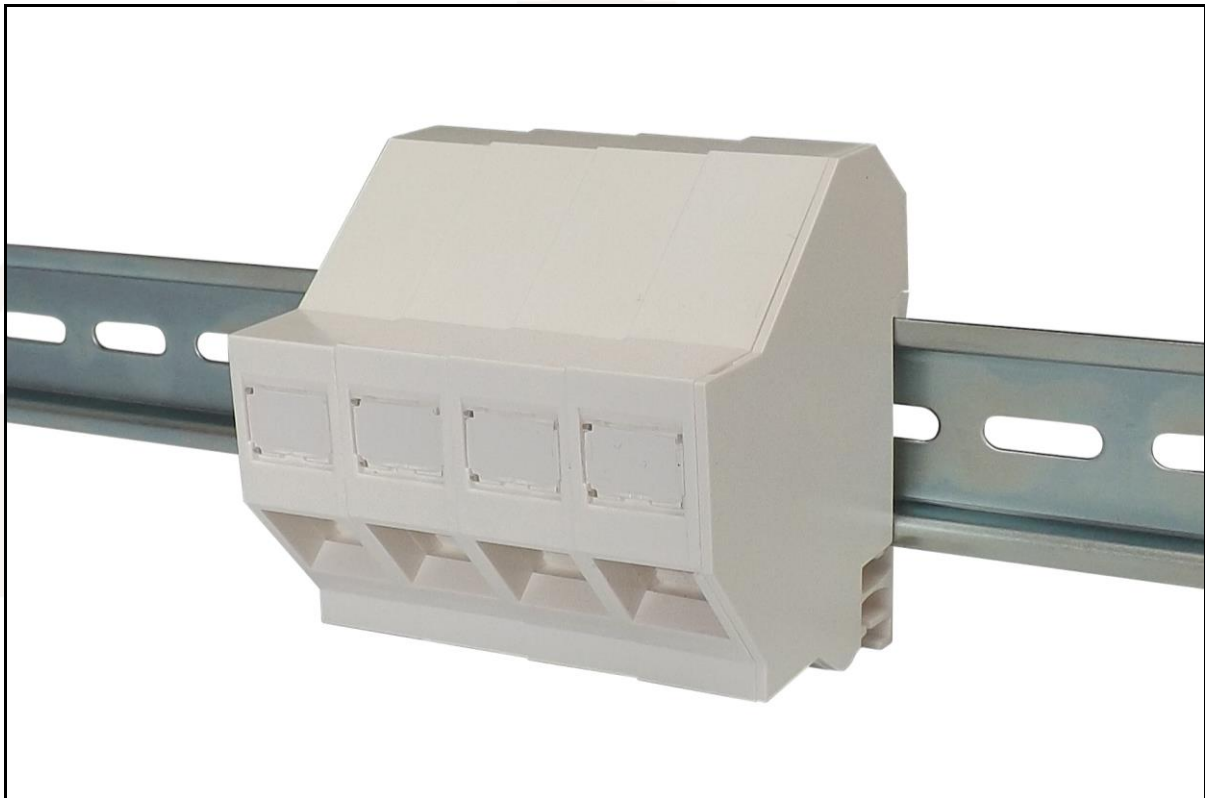


## DIN Rail mountable adaptor



The DIN rail mountable adaptor allows easy assembly with keystone connectors (e.g. fibre or copper coupler or socket). Available shielded (XDINS#) or unshielded (XDIN#).

### **Features**

- Designed for standard 35mm wide DIN rails
- Easily mountable side by side on DIN rail. Side covers can be omitted if space is restricted
- Easy access to the connector and wiring through removable side covers
- Angled presentation provides gravity compensation for patch lead
- 'Slip-in' label facility for clear labeling
- Extremely durable and fits well with coupler/socket
- Installation does not require any special tools – the adaptor slides or clips easily onto the DIN rail
- Outstanding value
- Compatible with our range of fibre, USB2 and Category 5e/6/6A/8 coupler and sockets.  
<http://www.tuk.co.uk/product/din-rail-mountable-connector-range/>

**Specifications**

- Dimensions: See specification diagram
- Weight:
  - XDIN#: 22g
  - XDINS#: 24g
- Colour: White

**Packaging:**

XDIN#: UTP keystone DIN rail mountable adaptor, supplied as a kit of XDIN and XDINcov  
XDINS#: STP keystone DIN rail mountable adaptor, supplied as a kit of XDINS and XDINcov

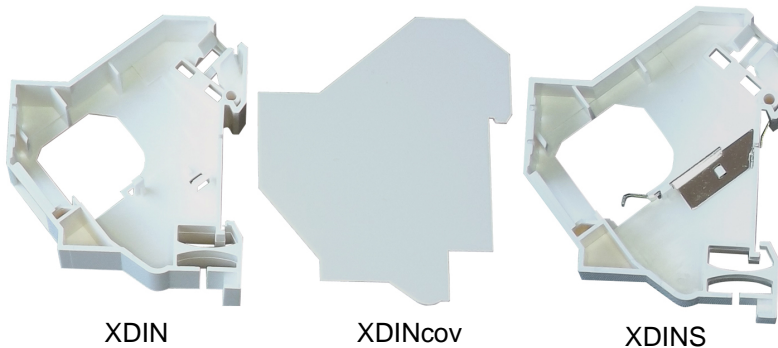
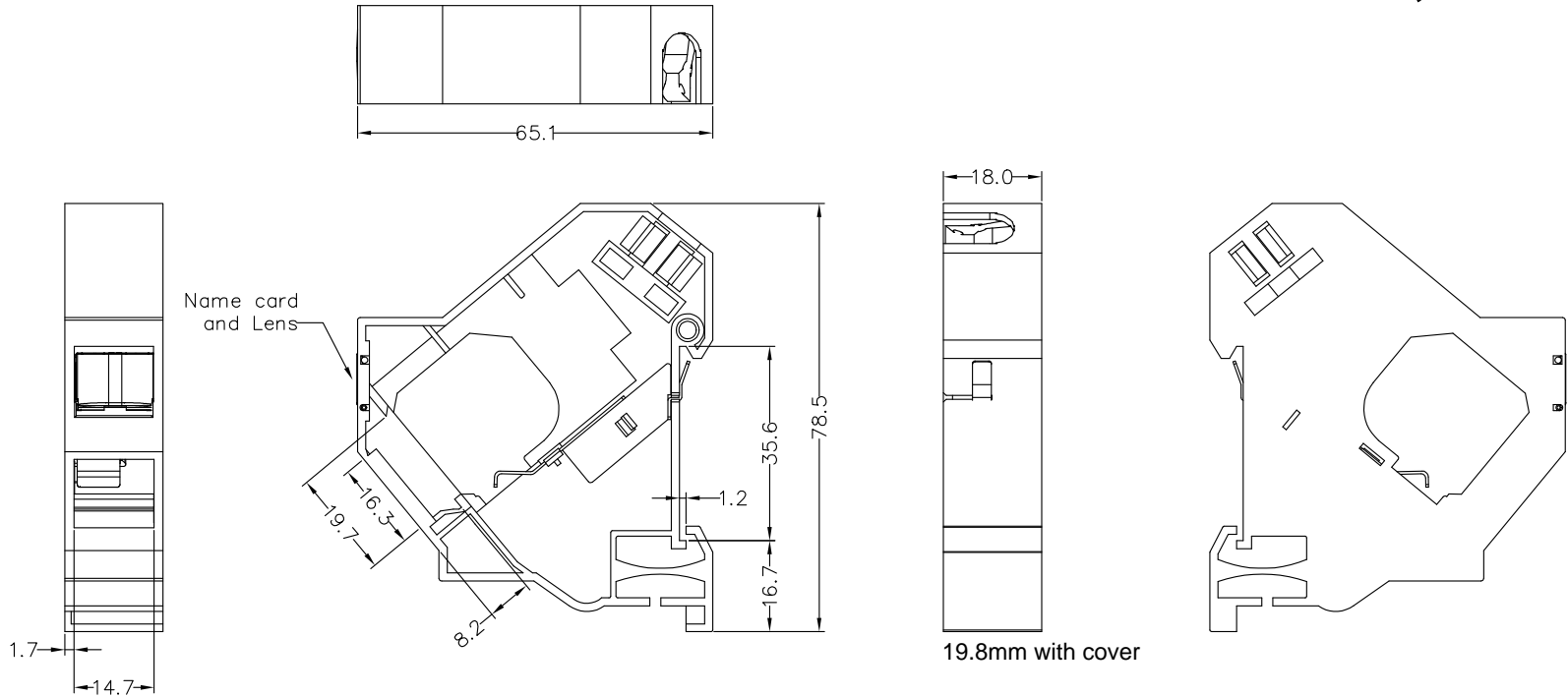
**EAN:**

XDIN#: 5055386507198  
XDINS#: 5055386507204

**Commodity Code:** 85369090

ROHS Compliant

Code:XDIN, XDINS



**Specifications:**

1. Housing + Lens: PC + ABS, 94 V-0
2. Shielding plate: Nickel plated phosphor bronze
3. Card board: White paper