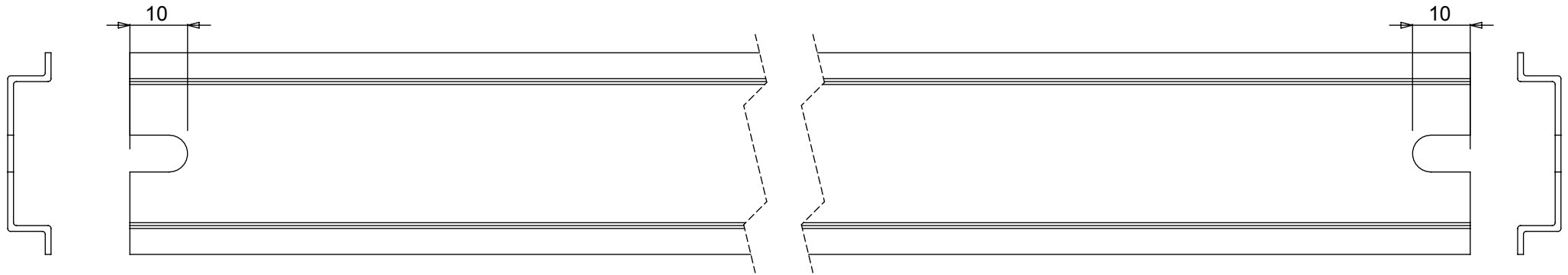
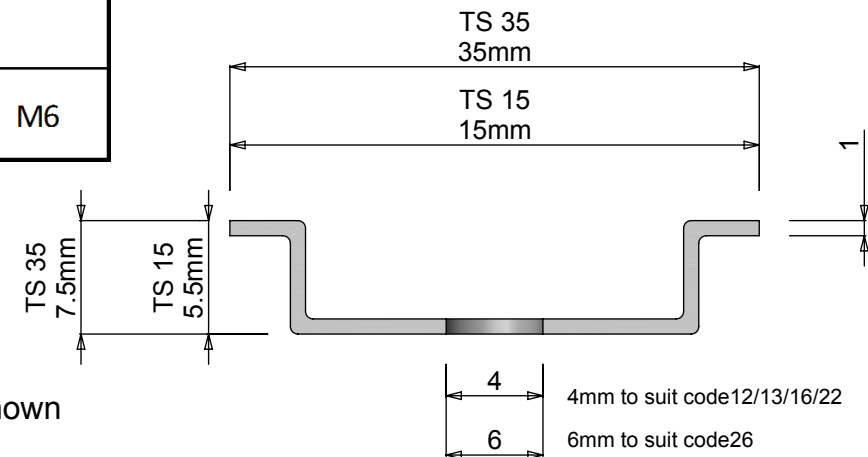


REV.	CNN	CNN DESCRIPTION	Date	Check in
03	4576	CUT LENGTH CHANGED FROM 204 TO 200MM	28/09/2016	Alex You
04	4576	CUT LENGTH CHANGED FROM 204 TO 200MM & ORDER CODE UPDATED	28/09/2016	Alex You



HD DIN Rail Specification				
Enclosure part number	TS 35 Order Code	TS 15 Order Code	Din Rail Cut Length	Screws
486-121208	4DR3512	4DR1512	109mm	M4
486-121209				
486-130806	4DR3513	4DR1513	114mm	
486-161609	4DR3516	4DR1516	141mm	
486-221208	4DR3522	4DR1522	200mm	
486-221209				
486-261609	4DR3526	4DR1526	244mm	M6
486-261612				



Material: Galvanised, Steel & Passivated

TS 35 x 7.5: short-circuit strength corresponds to E-Cu wire @ 16mm²

TS 15 x 5.5: short-circuit strength corresponds to E-Cu wire @ 10mm²

All DIN Rail kits will be supplied with 2 x Copper plated fixing screws thread dim shown

Tel No. +44(0)1724 273200 Website www.dem-uk.com



PROPRIETARY AND CONFIDENTIAL
 THE INFORMATION CONTAINED IN THIS DRAWING IS THE SOLE PROPERTY OF
ALPHA 3 MANUFACTURING.
 ANY REPRODUCTION IN PART OR AS A WHOLE WITHOUT THE WRITTEN PERMISSION OF
ALPHA 3 MANUFACTURING IS PROHIBITED.

DEM DEM Manufacturing, Deltron Emcon House
 Hargreaves Way, Sawcliffe Ind. Park,
 Scunthorpe, North Lincolnshire, DN15 8RF, UK

UNLESS OTHERWISE SPECIFIED:
 DIMENSIONS ARE IN MILLIMETRES.
 TOLERANCE:
NO DECIMAL PLACES ±0.2mm
1 DECIMAL PLACE ±0.1mm
2 DECIMAL PLACES ±0.05mm
ANGULAR TOLERANCE: ±1°

FINISH -
 DEBURR AND BREAK SHARP EDGES -
 DRAWN BY SPB
 APPROVED BY WC
 THIRD ANGLE PROJECTION
 SHEET 1 OF 1
 SCALE 1:1
 A4

TITLE
**Heavy duty
 DIN Rail Range**
 DRAWING NO.
HD Din Rail-Raw

ISSUE **04**
 Release