

FEATURES

- Tilting pull handle
- Material: Black polyamide / Zamak
- Dimensions: 105 x 21x 43.5 mm

RS PRO Tilting pull handle

RS Stock No.: 410521 PO



RS Professionally Approved Products bring to you professional quality parts across all product categories. Our product range has been tested by engineers and provides a comparable quality to the leading brands without paying a premium price.

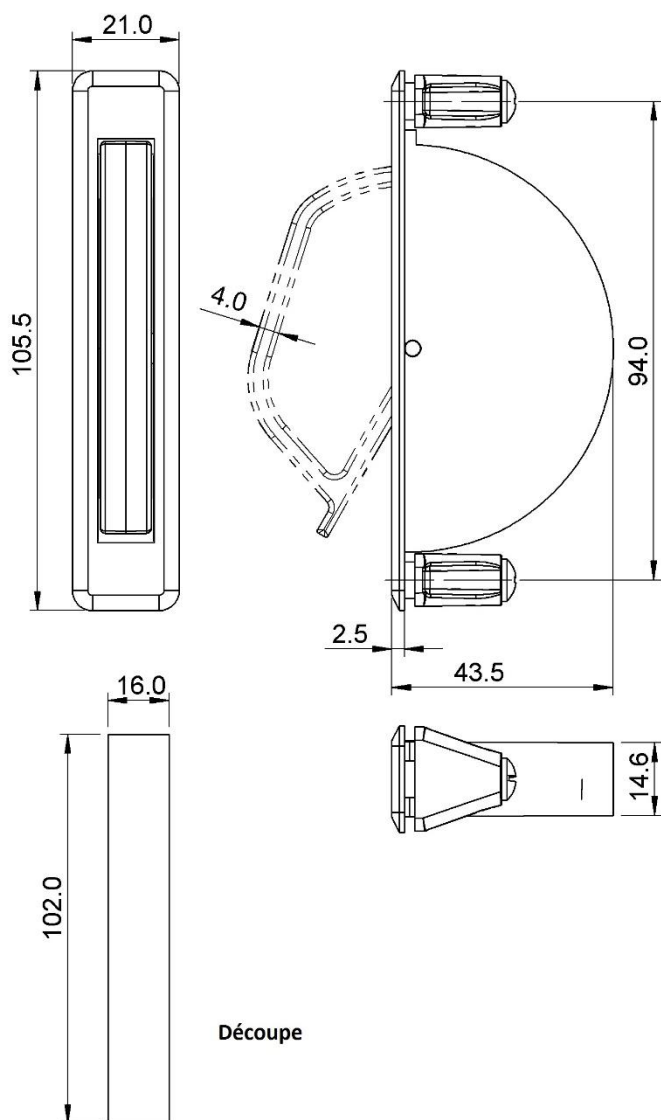
Product Description

*Bi-component tilting pull handle (Polyamide / Zamak)
2 fixing screws allow a clamping on a support of maximum 3.5 mm thickness*

*Zamak ring
Polyamide body*

Recessed mounting in a black polyamide housing

Technical drawing



General Specifications

Material	Polyamide / Zamak
Length	105.5 mm
Height	43.5 mm
Width	21 mm
Weight	20 g

Classification

eCI@ss Version	
UNSPSC Version	

Approvals

Compliance/Certifications	ISO 9001
Declarations	

Similar Products

Parameters	Stock#	Stock#	Stock#	Stock#
Brand	RS PRO	RS PRO	RS PRO	RS PRO
Material				
Finish				
Concealed Fixings				
Colour				
Insert Material				
Package				
Handle Type				
Length				
Height				
Width				
Fixing Centres				
Thread Type				
Diameter				
Fixing bolts				
Projection				

INCLUDES WITH PRODUCT: / STANDARD ACCESSORIES