

CONNECT AND PROTECT

CompacPRO

09/2021

  
nvent

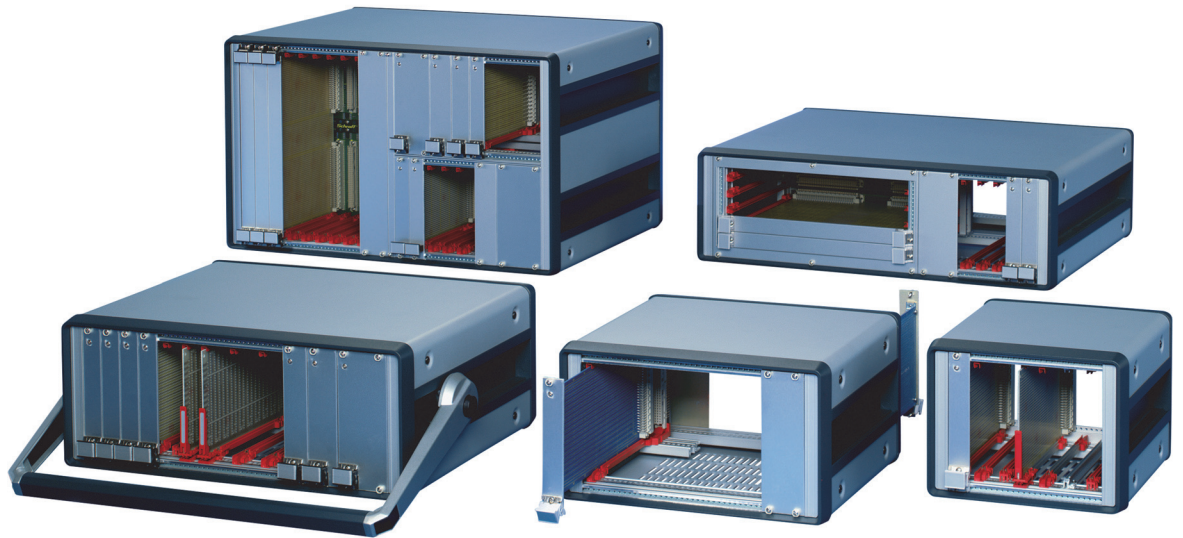
**SCHROFF**

# Desk-top cases – CompacPRO

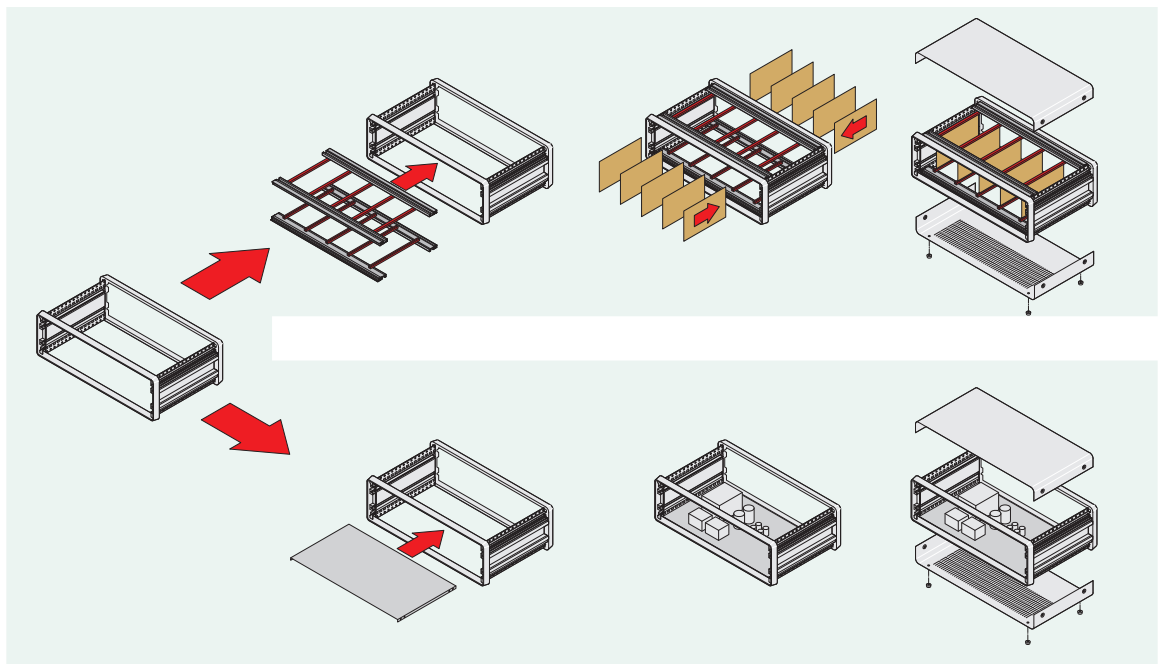
## OVERVIEW

### MAIN KATALOG

- Cabinets ..... 1
- Wall mounted cases ..... 2
- Accessories for cabinets and wall mounted cases .. 3
- Climate control .. 4
- Electronics cases ..... 5
- Subracks/ 19" chassis ..... 6
- Front panels, plug-in units .... 7
- Systems ..... 8
- Power supply units ..... 9
- Backplanes .... 10
- Connectors, front panel component system ..... 11
- Appendix ..... 12



02004009



02004079

Flexible expansion options, for 19" components e.g. plug-in unit units, or for individual expansion

## STANDARDS

- Interior dimensions in accordance with: IEC 60297-3-101
- Type of protection IP 20 in accordance with IEC 60529
- GND/earth connections in accordance with:
  - DIN EN 50178 / VDE 0160
  - DIN EN 62368-1 / VDE 0805
  - DIN EN 61010-1 / VDE 0411 part 1
  - DIN EN 61010-1A2 / VDE 0411 part 1/A12

# Desk-top cases – CompacPRO

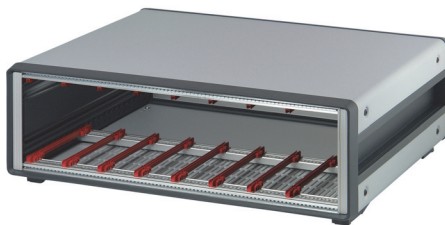
## OVERVIEW

### ROBUST DESK-TOP CASE FOR 19" COMPONENTS IN ACCORDANCE WITH IEC 60297-3-10X OR FOR INDIVIDUAL ELECTRONICS ASSEMBLIES

- Front and rear identical, depth-symmetrical construction
- Highly robust thanks to die-cast frame (front/rear)
- Side panel with integrated handle function
- Prepared for the installation of non-standardized components (on a mounting plate)

Overview . . . 5.76

#### DESK-TOP CASES

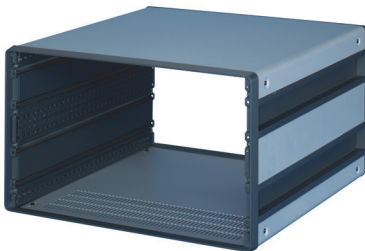


- **Complete case**
  - Pre-configured case, prepared for 19" components
  - Case height 3 U and 6 U

compacPRO  
Complete cases  
3, 6 U . . . . . 5.78  
Cases 2, 3, 4 U . . . . . 5.79  
6 U cases . . . . . 5.80

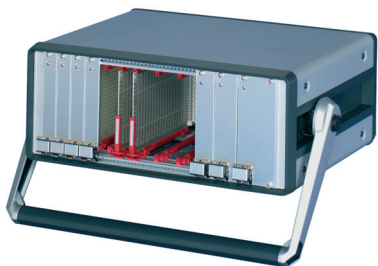
Accessories  
Filler angle . . . . . 5.81  
Cable holder . . . . . 5.81  
Front panel/rear panel . . . . . 5.82  
Rear feet . . . . . 5.83  
Edge protection . . . . . 5.83  
Hood . . . . . 5.84  
Front door . . . . . 5.85  
Handle . . . . . 5.86  
GND/earthing . . . . . 5.86  
Feet . . . . . 5.87  
Horizontal rail . . . . . 5.88  
Threaded inserts . . . . . 5.90  
Guide rails and ESD clips . . . . . 5.92  
Mounting plates . . . . . 5.94  
Combined mounting . . . . . 5.95  
Horizontal board assembly . . . . . 5.96  
Air flow barrier . . . . . 5.97  
Dimensions . . . . . 5.98

- **Case**
  - Case height 2 U, 3 U, 4 U and 6 U



02009005 02004006

#### EXTENSIVE ACCESSORY RANGE



02009002

#### SERVICEPLUS

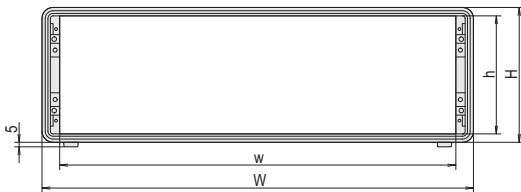
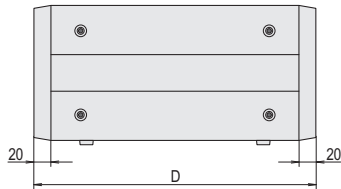
- e.g. modifications (special colours, special depths, cut-outs in top cover, base plate or side panels)
- e.g. assembly service from 1 piece

# Desk-top cases – CompacPRO

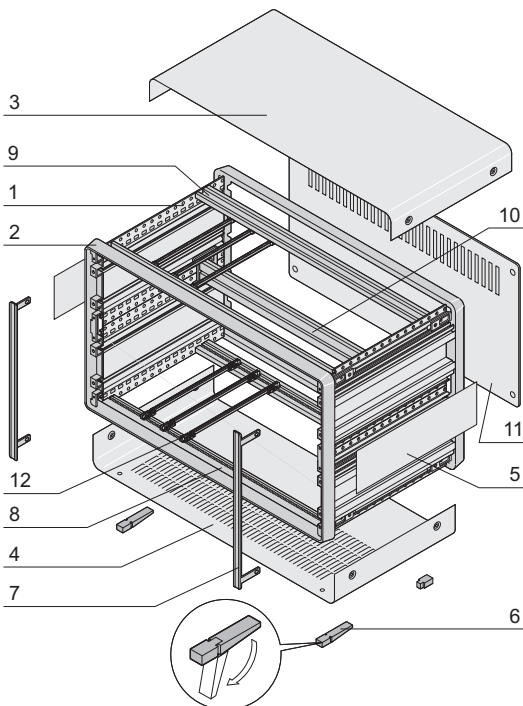
## COMPLETE CASES 3 AND 6 U



02009005



02004054



02008050

- Desk-top case with pre-configured components in accordance with IEC 60297-3-101; prepared for 19" components such as plug-in units and euroboards
- For backplane mounting with insulation strips
- Ventilation slots in base plate
- Ventilation slots in rear panel

### DELIVERY COMPRISES (Kit, items 1, 2, 6, 8, 9, 10, 11 fitted)

| Item | Qty       |           | Description  |
|------|-----------|-----------|--|
|      | 3 U       | 6 U       |  |
| 1    | 2         | 4         | Side panel, Al extrusion, powder-coated, RAL 7016  |
| 2    | 2         | 2         | Frame, Al die-cast, powder-coated, RAL 7016  |
| 3    | 1         | 1         | Cover plate, Al, 1.5 mm, powder-coated, RAL 9006, with GND/earthing tag  |
| 4    | 1         | 1         | Base plate with 4 rows of ventilation slots, Al, 1.5 mm, powder-coated, RAL 9006, with GND/earthing tag  |
| 5    | -         | 2         | Side plate powder-coated, RAL 9006, Al, 0.8 mm   |
| 6    | 4         | 4         | Tip-up foot with anti-slip protection, PA, RAL 7016, UL 94 V-0   |
| 7    | 2         | 2         | Cover bracket, Al extrusion, anodised, cut edges plain   |
| 8    | 2         | 2         | Horizontal rail, Al extrusion, with threaded insert, St, M2.5  |
| 9    | 2         | 2         | Rear horizontal rail, Al extrusion, with threaded insert, St, M2.5 and insulation strip, PBT, UL 94 V-0 (for indirect backplane mounting)          |
| 10   | -         | 1         | Centre horizontal rail, Al extrusion, anodised, conductive surfaces, with two threaded inserts, St, M2.5 and two insulation strips, PBT, UL 94 V-0 |
| 11   | 1         | 1         | Rear panel with 1 row of ventilation slots, Al, anodised, 2 mm for 28, 42 and 63 HP, 2.5 mm for 84 HP  |
| 12   | 10/<br>20 | 10/<br>20 | Guide rail for 160 mm board length, PC, UL 94 V-0, 28/42 HP 10 pieces, 63/84 HP 20 pieces  |
| 13   | 1         | 1         | GND/earthing kit   |
| 14   | 1         | 1         | Assembly kit, also allows the fitting of a full-width front panel  |

### ORDER INFORMATION

| Height H | Width W | Depth D | Usable width |     | Part no.         |
|----------|---------|---------|--------------|-----|------------------|
|          |         |         | w            | w   |                  |
| U        | mm      | mm      | HP           | mm  |                  |
| 3        | 186     | 271     | 28           | 148 | 14575-114        |
| 3        | 186     | 331     | 28           | 148 | 14575-115        |
| 3        | 257     | 271     | 42           | 219 | 14575-134        |
| 3        | 257     | 331     | 42           | 219 | <b>14575-135</b> |
| 3        | 257     | 391     | 42           | 219 | <b>14575-136</b> |
| 3        | 364     | 271     | 63           | 326 | <b>14575-154</b> |
| 3        | 364     | 331     | 63           | 326 | <b>14575-155</b> |
| 3        | 364     | 391     | 63           | 326 | 14575-156        |
| 3        | 471     | 271     | 84           | 432 | <b>14575-174</b> |
| 3        | 471     | 331     | 84           | 432 | <b>14575-175</b> |
| 3        | 471     | 391     | 84           | 432 | <b>14575-176</b> |
| 3        | 471     | 511     | 84           | 432 | <b>14575-178</b> |
| 6        | 471     | 391     | 84           | 432 | 14575-476        |
| 6        | 471     | 451     | 84           | 432 | 14575-477        |

Maximum mounting depth = D - 21 (open space: front panel - rear panel)

### NOTE

- Dimensions of case, side panel see from page 5.98

# Desk-top cases – CompacPRO

## CASES 2, 3 AND 4 U

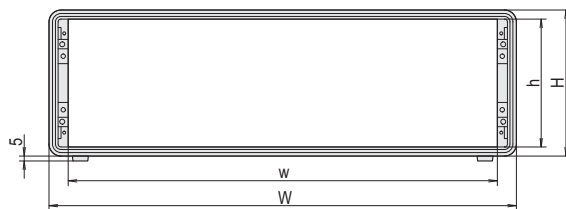
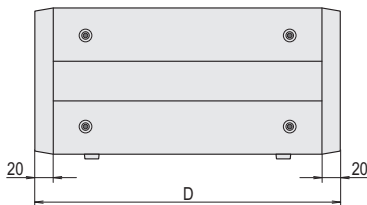
- Desk-top case, pre-configures, for individual assembly
- Ventilation slots in base plate

### DELIVERY COMPRISES (Kit, items 1 and 2 fitted)

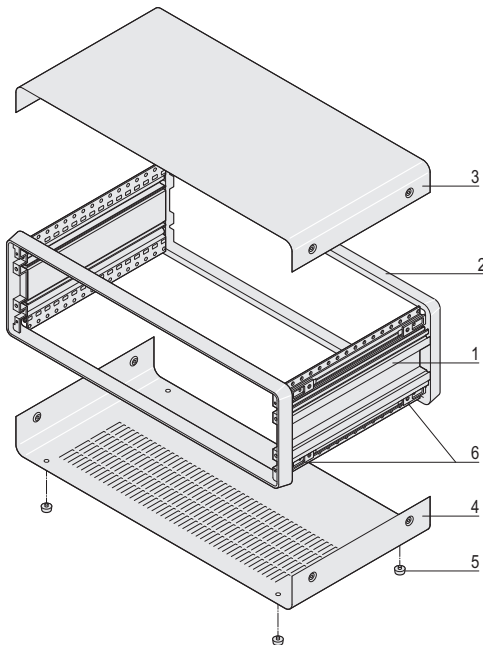
| Item | Qty | Description   |
|------|-----|---|
| 1    | 2   | Side panel, Al extrusion, powder-coated, RAL 7016   |
| 2    | 2   | Frame, Al die-cast, powder-coated, RAL 7016   |
| 3    | 1   | Cover plate, Al, 1.5 mm, powder-coated, RAL 9006, with GND/earthing connection                            |
| 4    | 1   | Base plate with 4 rows of ventilation slots, Al, 1.5 mm, powder-coated RAL 9006, with earthing connection |
| 5    | 4   | Case foot with anti-slip protection, PC, black  |
| 6    | 8   | Fixing adaptor for cover plate, prefitted   |
| 7    | 1   | Assembly kit  |



02004005



02004054



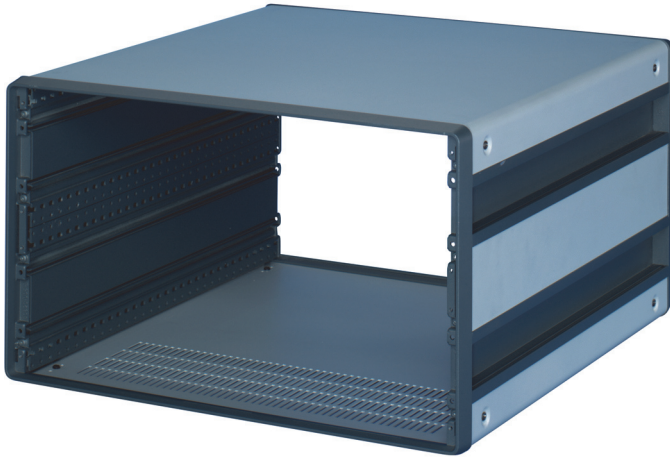
02004053

### ORDER INFORMATION

| Height U | Usable width HP | Width W mm | Width w mm | Height H mm | Height h mm | Depth D mm | Part no.         |
|----------|-----------------|------------|------------|-------------|-------------|------------|------------------|
| 2        | 42              | 257        | 219        | 102.6       | 84.4        | 271        | <b>14575-023</b> |
| 2        | 42              | 257        | 219        | 102.6       | 84.4        | 331        | <b>14575-025</b> |
| 2        | 42              | 257        | 219        | 102.6       | 84.4        | 391        | <b>14575-027</b> |
| 2        | 84              | 471        | 432        | 102.6       | 84.4        | 271        | <b>14575-063</b> |
| 2        | 84              | 471        | 432        | 102.6       | 84.4        | 331        | <b>14575-065</b> |
| 2        | 84              | 471        | 432        | 102.6       | 84.4        | 391        | <b>14575-067</b> |
| 3        | 28              | 186        | 148        | 147.1       | 129.3       | 271        | <b>14575-103</b> |
| 3        | 28              | 186        | 148        | 147.1       | 129.3       | 331        | 14575-105        |
| 3        | 42              | 257        | 219        | 147.1       | 129.3       | 271        | <b>14575-123</b> |
| 3        | 42              | 257        | 219        | 147.1       | 129.3       | 331        | <b>14575-125</b> |
| 3        | 42              | 257        | 219        | 147.1       | 129.3       | 391        | <b>14575-127</b> |
| 3        | 63              | 364        | 326        | 147.1       | 129.3       | 271        | <b>14575-143</b> |
| 3        | 63              | 364        | 326        | 147.1       | 129.3       | 331        | <b>14575-145</b> |
| 3        | 63              | 364        | 326        | 147.1       | 129.3       | 391        | <b>14575-147</b> |
| 3        | 84              | 471        | 432        | 147.1       | 129.3       | 271        | <b>14575-163</b> |
| 3        | 84              | 471        | 432        | 147.1       | 129.3       | 331        | <b>14575-165</b> |
| 3        | 84              | 471        | 432        | 147.1       | 129.3       | 391        | <b>14575-167</b> |
| 3        | 84              | 471        | 432        | 147.1       | 129.3       | 451        | <b>14575-169</b> |
| 3        | 84              | 471        | 432        | 147.1       | 129.3       | 511        | <b>14575-171</b> |
| 4        | 42              | 257        | 219        | 191.6       | 173.8       | 271        | <b>14575-223</b> |
| 4        | 42              | 257        | 219        | 191.6       | 173.8       | 331        | <b>14575-225</b> |
| 4        | 63              | 364        | 326        | 191.6       | 173.8       | 271        | <b>14575-243</b> |
| 4        | 63              | 364        | 326        | 191.6       | 173.8       | 331        | <b>14575-245</b> |
| 4        | 63              | 364        | 326        | 191.6       | 173.8       | 391        | <b>14575-247</b> |
| 4        | 84              | 471        | 432        | 191.6       | 173.8       | 331        | <b>14575-265</b> |
| 4        | 84              | 471        | 432        | 191.6       | 173.8       | 391        | <b>14575-267</b> |
| 4        | 84              | 471        | 432        | 191.6       | 173.8       | 451        | <b>14575-269</b> |
| 4        | 84              | 471        | 432        | 191.6       | 173.8       | 511        | <b>14575-271</b> |

# Desk-top cases – CompacPRO

## 6 U CASES



- Desk-top case, pre-configured, for individual assembly
- Ventilation slots in base plate

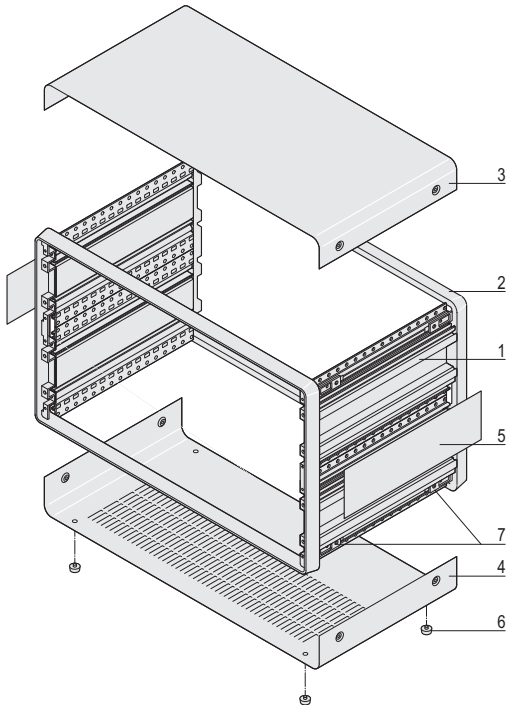
### DELIVERY COMPRISES (Kit items 1, 2 and 5 fitted)

| Item | Qty | Description   |
|------|-----|---|
| 1    | 4   | Side panel parts, Al extrusion, powder-coated, RAL 7016, 2 x 3 U  |
| 2    | 2   | Frame, Al die-cast, powder-coated, RAL 7016   |
| 3    | 1   | Cover plate, Al, 1.5 mm, powder-coated, RAL 9006, with GND/earthing tag                                 |
| 4    | 1   | Base plate with 4 rows of ventilation slots, Al, 1.5 mm, powder-coated, RAL 9006, with GND/earthing tag |
| 5    | 2   | Side plate, Al, 0.8 mm, powder-coated, RAL 9006   |
| 6    | 4   | Case foot with anti-slip protection, PC, black  |
| 7    | 8   | Fixing adaptor for cover plate, prefitted   |
| 8    | 1   | Assembly kit  |

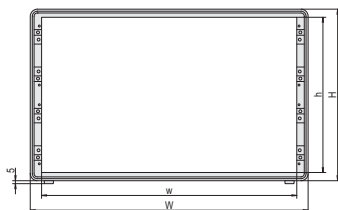
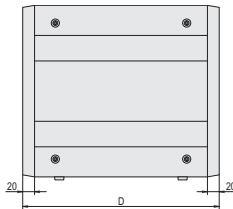
02004006

### ORDER INFORMATION

| Usable width | Width W | Width w | Height H | Height h | Depth D | Part no.         |
|--------------|---------|---------|----------|----------|---------|------------------|
| HP           | mm      | mm      | mm       | mm       | mm      |                  |
| 63           | 364     | 326     | 280.5    | 262.9    | 331     | <b>14575-445</b> |
| 63           | 364     | 326     | 280.5    | 262.9    | 391     | <b>14575-447</b> |
| 84           | 471     | 432     | 280.5    | 262.9    | 271     | <b>14575-463</b> |
| 84           | 471     | 432     | 280.5    | 262.9    | 331     | <b>14575-465</b> |
| 84           | 471     | 432     | 280.5    | 262.9    | 391     | <b>14575-467</b> |
| 84           | 471     | 432     | 280.5    | 262.9    | 451     | <b>14575-469</b> |
| 84           | 471     | 432     | 280.5    | 262.9    | 511     | <b>14575-471</b> |



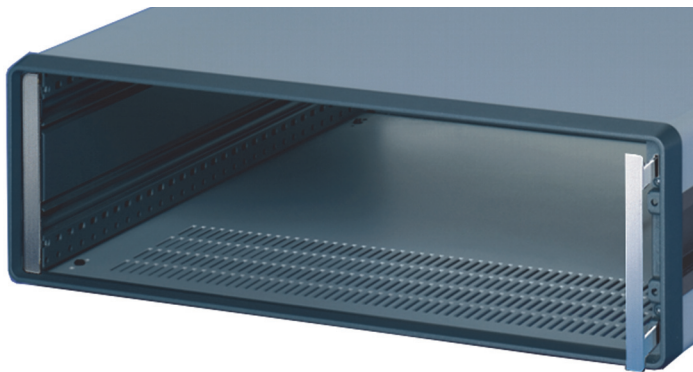
02004055



02004056

# Desk-top cases – CompacPRO

## FILLER ANGLE



02005002

- To cover the sides of the frame and to create a continuous front plane with plug-in units and partial-width front panels
- This filler angle is recommended when fitting horizontal rails

### DELIVERY COMPRISES

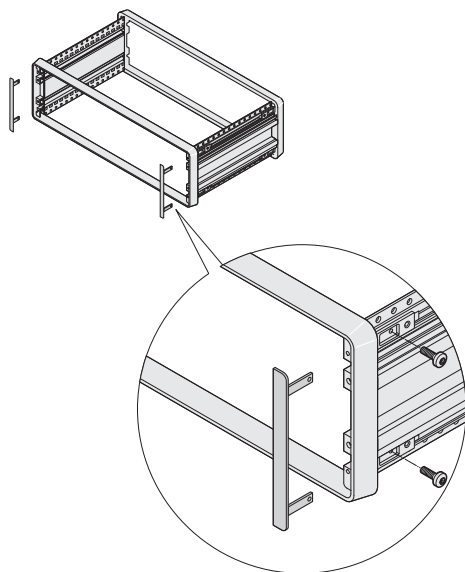
| Item | Qty | Description   |
|------|-----|---|
| 1    | 2   | Filler angle, Al extrusion, anodised, cut edges plain |

### ORDER INFORMATION

| Height | Part no.         |
|--------|------------------|
| U      |                  |
| 2      | <b>24575-019</b> |
| 3      | <b>24575-119</b> |
| 4      | <b>24575-219</b> |
| 6      | <b>24575-419</b> |

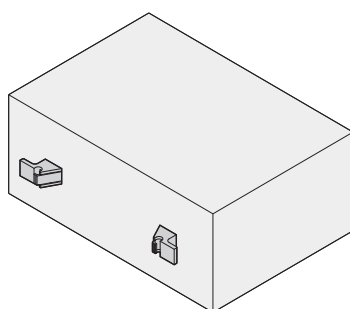
### NOTE

- Fixing material is supplied with case



02004062

## CABLE HOLDER



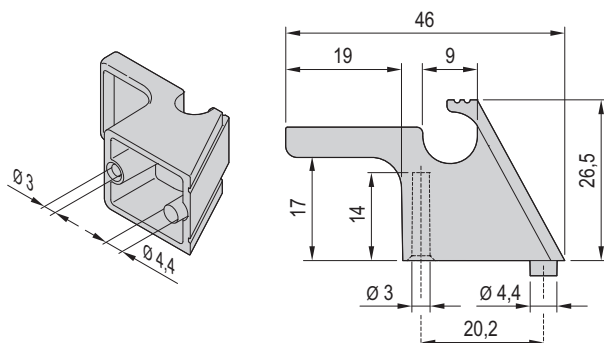
02908053

### DELIVERY COMPRISES (kit)

| Item | Qty | Description   |
|------|-----|---|
| 1    | 2   | Cable bracket, ABS, UL V-94 0, RAL 7016, detent for cables between 8 mm and 12 mm |
| 2    | 1   | Drilling template, two drill holes each per bracket are needed in rear panel      |
| 3    | 1   | Assembly kit  |

### ORDER INFORMATION

| Description  | Part no.         |
|--------------|------------------|
| Cable holder | <b>24575-800</b> |



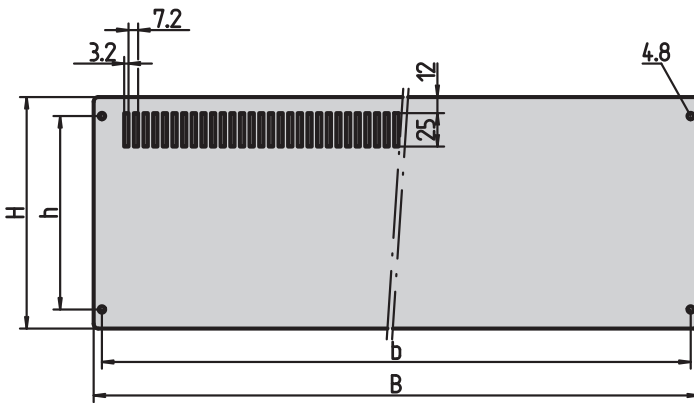
02908052

# Desk-top cases – CompacPRO

## FRONT PANEL AND REAR PANEL



Rear panel/front panel



02005001

CPA30656

- Front panels and rear panels are screwed on front or rear frame of case

### DELIVERY COMPRISES (kit)

| Item | Qty | Description  |
|------|-----|--|
| 1    | 1   | Rear panel with 4 rows of ventilation slots, Al, anodised, cut edges plain; 28, 42, 63 HP = 2 mm thick; 84 HP = 2.5 mm thick |
| 2    | 1   | Front panel, Al, anodised, cut edges plain, 3 mm thick   |

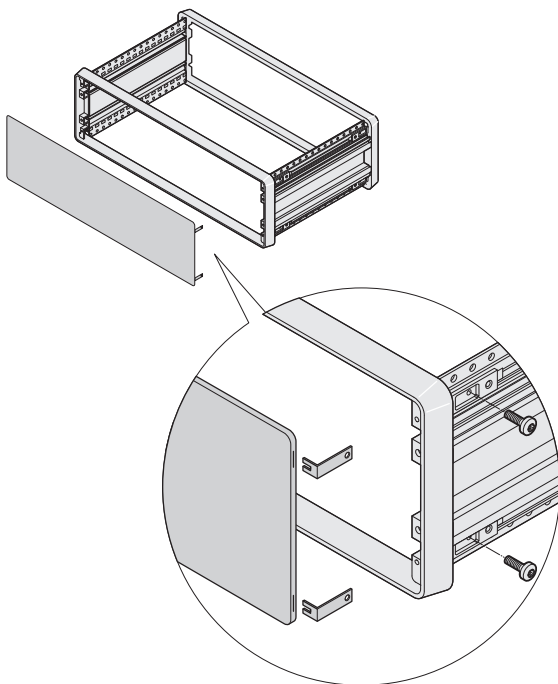
### ORDER INFORMATION

| Height U | Width HP | Height H mm | Height h mm | Width B mm | Width b mm | Rear panel Part no. | Front panel Part no. |
|----------|----------|-------------|-------------|------------|------------|---------------------|----------------------|
| 2        | 42       | 84          | 66          | 238.7      | 226.3      | <b>30823-015</b>    | <b>30823-209</b>     |
| 2        | 84       | 84          | 66          | 452.1      | 439.7      | <b>30823-512</b>    | <b>30823-215</b>     |
| 3        | 28       | 128.4       | 100         | 167.5      | 155.1      | <b>30823-021</b>    | <b>30823-254</b>     |
| 3        | 42       | 128.4       | 100         | 238.7      | 226.3      | <b>30823-024</b>    | <b>30823-257</b>     |
| 3        | 63       | 128.4       | 100         | 345.4      | 333.1      | <b>30823-027</b>    | <b>30823-224</b>     |
| 3        | 84       | 128.4       | 100         | 452.1      | 439.7      | <b>30823-515</b>    | <b>30823-260</b>     |
| 4        | 42       | 172.9       | 144.5       | 238.7      | 226.3      | <b>30823-033</b>    | <b>30823-269</b>     |
| 4        | 63       | 172.9       | 144.5       | 345.4      | 333.1      | <b>30823-036</b>    | <b>30823-227</b>     |
| 4        | 84       | 172.9       | 144.5       | 452.1      | 439.7      | <b>30823-518</b>    | <b>30823-272</b>     |
| 6        | 63       | 261.8       | 233.4       | 345.4      | 333.1      | <b>30823-045</b>    | <b>30823-230</b>     |
| 6        | 84       | 261.8       | 233.4       | 452.1      | 439.7      | <b>30823-521</b>    | <b>30823-284</b>     |

### NOTE

- Assembly kit to fix one rear and one front panel is included with the case
- Cable holder and rear feet, see from page 5.81

## FRONT PANEL/REAR PANEL WITH HIDDEN FIXING



02004061

### DELIVERY COMPRISES (kit)

| Item | Qty | Description  |
|------|-----|--|
| 1    | 1   | Front panel, Al, anodised, cut edges plain, 2.5 mm |
| 2    | 4   | Fixing bracket                                     |

### ORDER INFORMATION

| Height U | Width HP | Height H mm | Height h mm | Width B mm | Width b mm | Part no.         |
|----------|----------|-------------|-------------|------------|------------|------------------|
| 2        | 42       | 84.0        | 66.0        | 238.7      | 226.3      | <b>24575-035</b> |
| 2        | 84       | 84.0        | 66.0        | 452.1      | 439.7      | <b>24575-075</b> |
| 3        | 28       | 128.4       | 100.0       | 167.5      | 155.1      | <b>24575-115</b> |
| 3        | 42       | 128.4       | 100.0       | 238.7      | 226.3      | <b>24575-135</b> |
| 3        | 63       | 128.4       | 100.0       | 345.4      | 333.1      | <b>24575-155</b> |
| 3        | 84       | 128.4       | 100.0       | 452.1      | 439.7      | <b>24575-175</b> |
| 4        | 42       | 172.9       | 144.5       | 238.7      | 226.3      | <b>24575-235</b> |
| 4        | 63       | 172.9       | 144.5       | 345.4      | 333.1      | <b>24575-255</b> |
| 4        | 84       | 172.9       | 144.5       | 452.1      | 439.7      | <b>24575-275</b> |
| 6        | 63       | 261.8       | 233.4       | 345.4      | 333.1      | <b>24575-455</b> |
| 6        | 84       | 261.8       | 233.4       | 452.1      | 439.7      | <b>24575-475</b> |

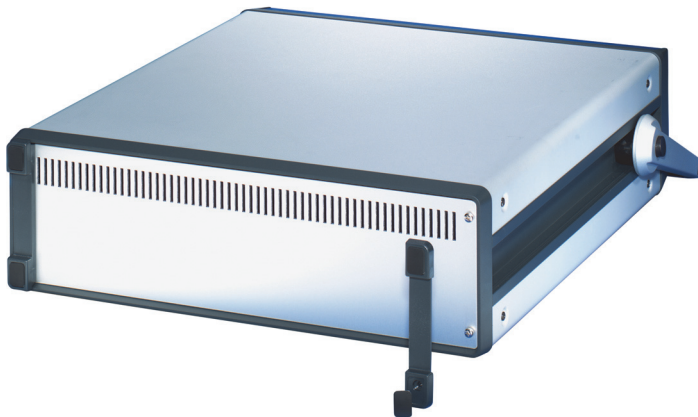
### NOTE

- Cable holder and rear feet see from page 5.81



# Desk-top cases – CompacPRO

## REAR FOOT WITH RUBBER INSERT

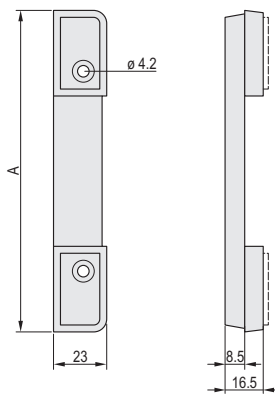


### DELIVERY COMPRISES

| Item | Qty | Description                                      |
|------|-----|--|
| 1    | 2   | Foot with rubber insert, PC, UL 94 V-0, RAL 7016 |
| 2    | 1   | Fixing material                                  |

### ORDER INFORMATION

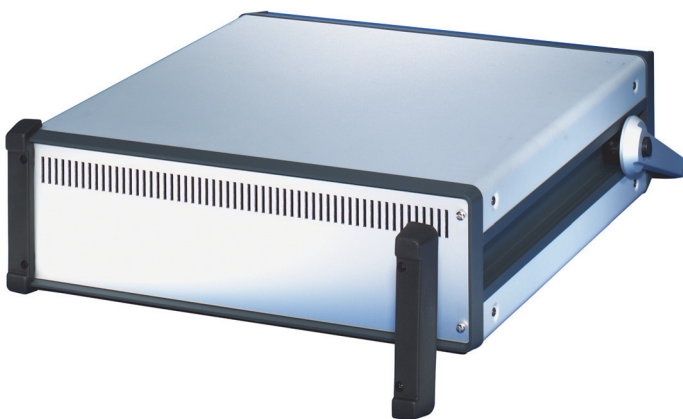
| For case height | A     | Part no.         |
|-----------------|-------|------------------|
| U               | mm    |                  |
| 3               | 139   | <b>24575-114</b> |
| 4               | 183.5 | <b>24575-214</b> |



02005004

02004063

## EDGE PROTECTION/REAR FOOT

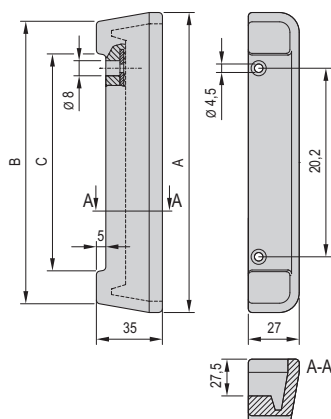


### DELIVERY COMPRISES

| Item | Qty | Description                     |
|------|-----|---------------------------------|
| 1    | 2   | Edge protection, PU foam, black |
| 2    | 1   | Assembly kit                    |

### ORDER INFORMATION

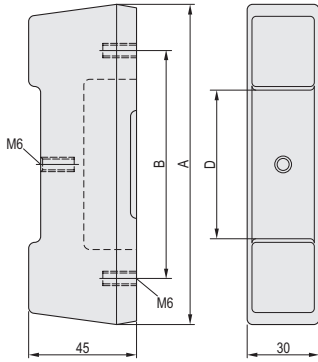
| For case height | A     | B     | C     | Part no.         |
|-----------------|-------|-------|-------|------------------|
| U               | mm    | mm    | mm    |                  |
| 3               | 159.1 | 114.0 | 100.0 | <b>20823-675</b> |
| 4               | 203.6 | 159.0 | 144.5 | <b>20823-676</b> |



02908054

# Desk-top cases – CompacPRO

## REAR FOOT



### DELIVERY COMPRISES

| Item | Qty | Description                     |
|------|-----|---------------------------------|
| 1    | 2   | Foot, PU foam, black, 75° shore |
| 2    | 1   | Fixing material                 |

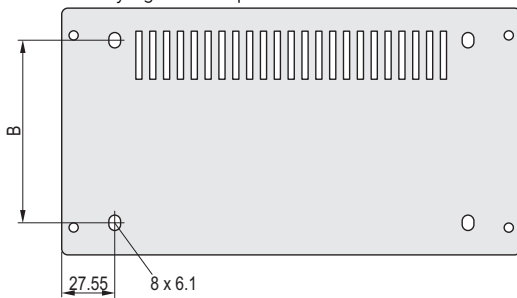
### ORDER INFORMATION

| Height U | A mm  | B mm  | D mm | Part no.         |
|----------|-------|-------|------|------------------|
| 3        | 133.5 | 95    | 65   | <b>20823-668</b> |
| 4        | 177.8 | 139.5 | 95   | <b>20823-669</b> |

02004065

- Rear panel, see page 5.82

Dimensions for modifying the rear panel



02004066

# Desk-top cases – CompacPRO

## FRONT DOOR, ACRYLIC GLASS, HINGED



- Assembly of the hinge to top or bottom
- With snap-on latch
- Lock retrofittable

### DELIVERY COMPRISES (kit)

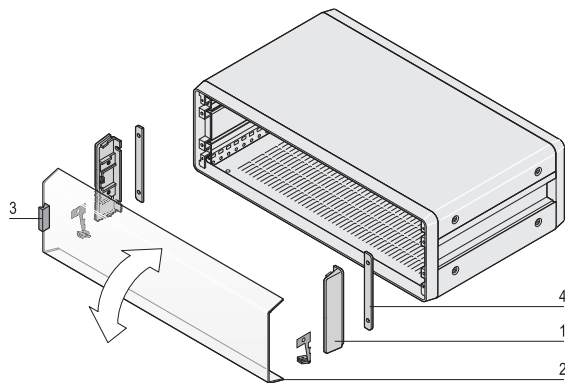
| Item | Qty | Description   |
|------|-----|---|
| 1    | 2   | Side part, Al die-cast, powder-coated, RAL 7016         |
| 2    | 1   | Front door, PMMA, tinted blue-grey, acrylic glass, 3 mm |
| 3    | 1   | Snap-on latch, PC, UL 94 V-0, black                     |
| 4    | 2   | Spacer plate, Al, 3 mm, passivated                      |
| 5    | 1   | Assembly kit  |

### ORDER INFORMATION

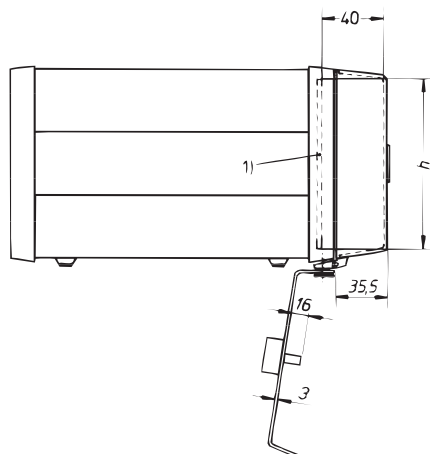
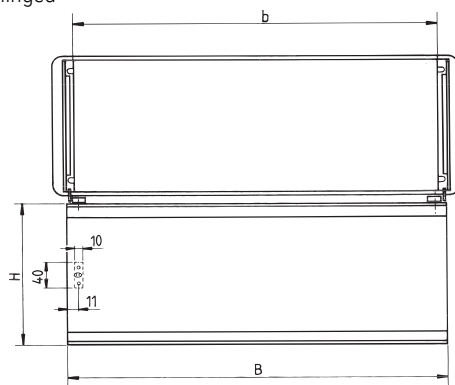
| Height<br>U  | Width<br>HP | Part no.         |
|--|-------------|------------------|
| 3  | 42          | <b>24575-137</b> |
| 3  | 63          | <b>24575-157</b> |
| 3  | 84          | <b>24575-177</b> |
| Lock for front door cylinder, 2 keys, assembly parts |             | <b>21100-647</b> |

### DIMENSIONS TABLE

| Height<br>U | b<br>TE | H<br>mm | h<br>mm | B<br>mm |
|-------------|---------|---------|---------|---------|
| 3           | 42      | 139,50  | 128,40  | 229,60  |
| 3           | 63      | 139,50  | 128,40  | 336,40  |
| 3           | 84      | 139,50  | 128,40  | 443,00  |



Front door, hinged



1) Front panel

# Desk-top cases – CompacPRO

## TIP-UP CARRYING HANDLE



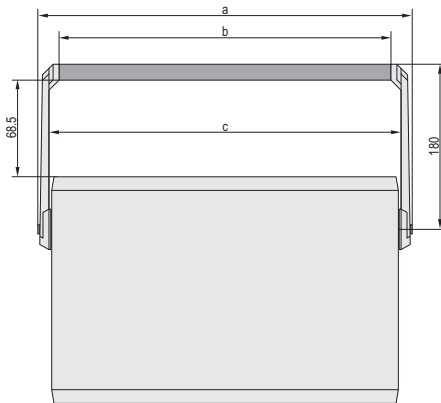
- With powder-coated handle bar
- Handle bar adjustable in 30 degree increments by pressing button
- Load-carrying capacity 20 kg

### DELIVERY COMPRISES (kit)

| Item | Qty | Description  |
|------|-----|--|
| 1    | 1   | Carrying bar, Al profile, powder-coated, RAL 7016                    |
| 2    | 2   | Lateral section of handle, Zn die-cast, powder coated, length 180 mm |
| 3    | 2   | Safety insert, St, 1.5 mm, black                                     |
| 4    | 1   | Fixing material incl. drilling template for side panel               |

### ORDER INFORMATION

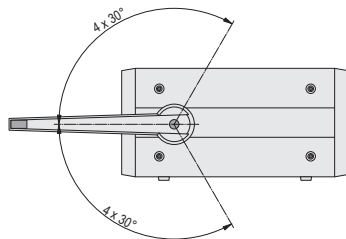
| For case height U | Width HP | Part no.         |
|-------------------|----------|------------------|
| 2                 | 42       | <b>24575-038</b> |
| 2                 | 84       | <b>24575-078</b> |
| 3, 4              | 28       | <b>24575-118</b> |
| 3, 4              | 42       | <b>24575-138</b> |
| 3, 4              | 63       | <b>24575-158</b> |
| 3, 4              | 84       | <b>24575-178</b> |



02004002

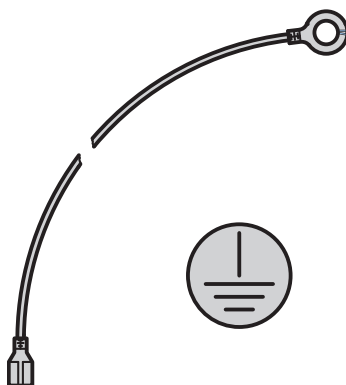
### DIMENSIONS

| Case width HP | a mm   | b mm   | c mm   |
|---------------|--------|--------|--------|
| 28            | 249.32 | 180.32 | 202.72 |
| 42            | 320.44 | 251.44 | 273.84 |
| 63            | 427.12 | 358.12 | 380.52 |
| 84            | 533.80 | 464.80 | 487,20 |



02004080

## GND/EARTHING KIT



- Protective GND/earth connections in accordance with DIN EN 50178/ VDE 0160, DIN EN 62368-1/VDE 0805, DIN EN 61010-1/VDE 0411 part 1, DIN EN 61010-1A2 /VDE 0411 part 1/A1 VDE inspection requested

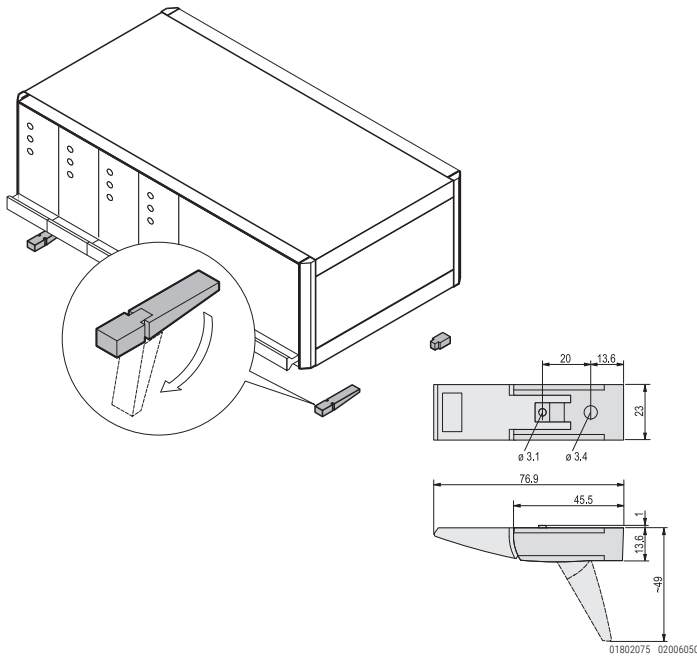
### ORDER INFORMATION

| Description  | Qty/PU | Part no.         |
|--|--------|------------------|
| GND/earthing kit, CU wire 1.5 mm <sup>2</sup> , PVC covered, green/ yellow, links side panel, base plate, cover and rear panel | 1      | <b>24575-801</b> |

aza43284

# Desk-top cases – CompacPRO

## PLASTIC TIP-UP FEET



- Static load-carrying capacity 25 kg per foot
- Tip-up feet can be used instead of the case feet fitted as standard
- Fixing holes provided in bottom of case

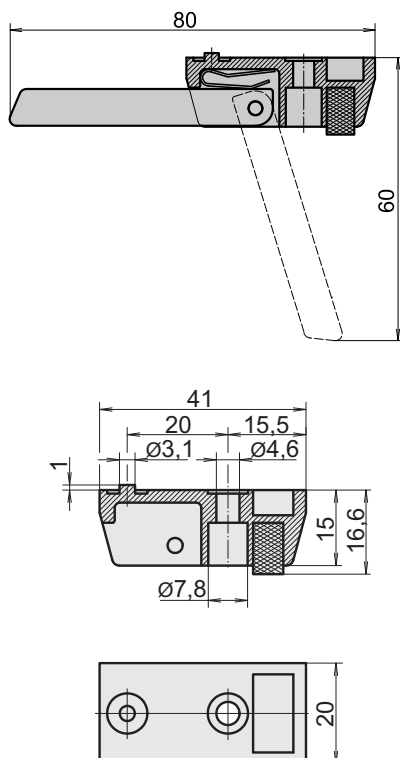
### DELIVERY COMPRISES (kit)

| Item | Qty | Description                  |
|------|-----|------------------------------|
| 1    | 4   | Foot, PA, UL 94 V-0          |
| 2    | 4   | Anti-slip protection, TPE    |
| 3    | 2   | Tip-up device, PA, UL 94 V-0 |
| 4    | 1   | Assembly kit                 |

### ORDER INFORMATION

| Description         | RAL 7016 anthracite | RAL 9006 silver  |
|---------------------|---------------------|------------------|
|                     | Part no.            | Part no.         |
| Plastic tip-up foot | <b>20603-002</b>    | <b>20603-001</b> |

## AL DIE-CAST TIP-UP FOOT



- Static load-carrying capacity 50 kg per foot
- Tip-up feet can be used instead of the case feet fitted as standard
- Fixing holes provided in bottom of case

### ORDER INFORMATION

| Description                              | Qty                            | Part no.         |
|--|--------------------------------|------------------|
| Foot without tip-up, Al die-cast, silver | 1 piece (SPQ 10) <sup>1)</sup> | <b>10603-001</b> |
| Foot with tip-up, Al die-cast, silver    | 1 piece (SPQ 10) <sup>1)</sup> | <b>10603-002</b> |

### Accessories

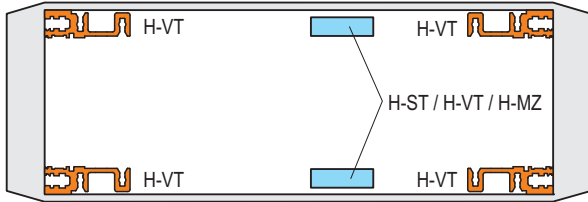
|  |                  |
|--|------------------|
| Cheesehead screw with slot M4 × 12, St, zinc-plated, PU 100 pieces | <b>21101-211</b> |
| Hexagon nut M4, St, zinc-plated, PU 100 pieces                     | <b>21100-211</b> |
| Spring washer A4, St, zinc-plated, PU 100 pieces                   | <b>21100-207</b> |

1) Delivery is exclusively in Standard Pack Quantity (SPQ):  
Please order at least 10 pieces or a multiple. Pricing is per individual item.

# Desk-top cases – CompacPRO

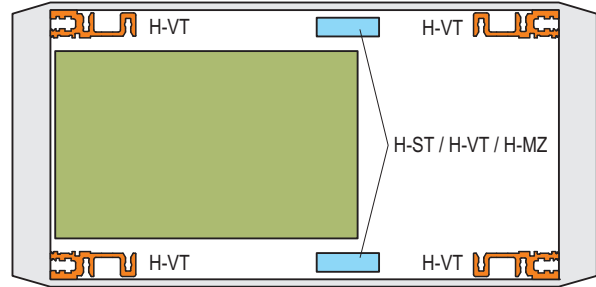
## MOUNTING POSITION HORIZONTAL/CENTRAL RAIL

Case, 2 U



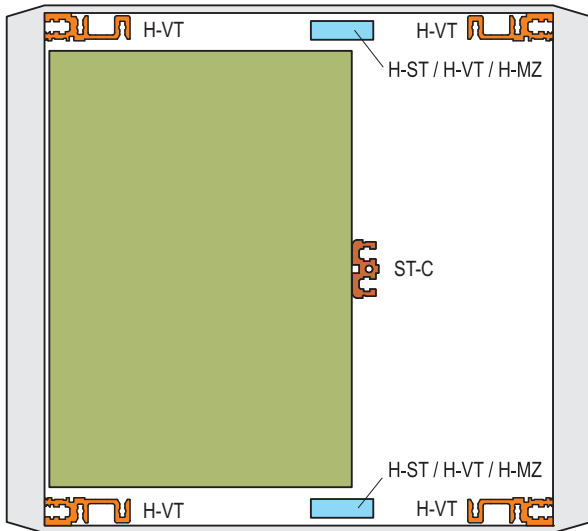
02004073

Case, 3 U + 4 U



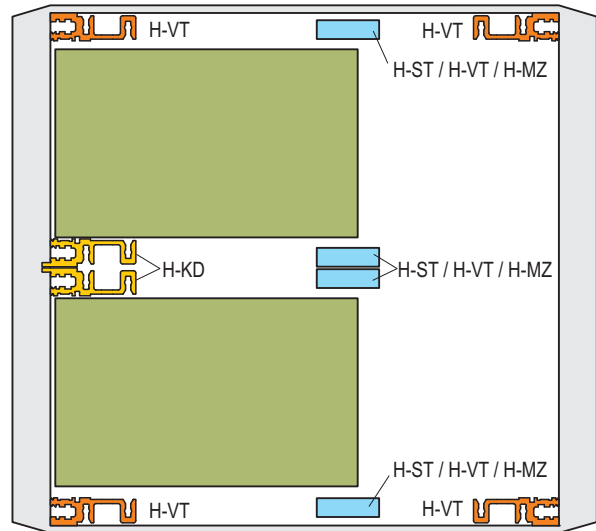
02004074

Case, 6 U



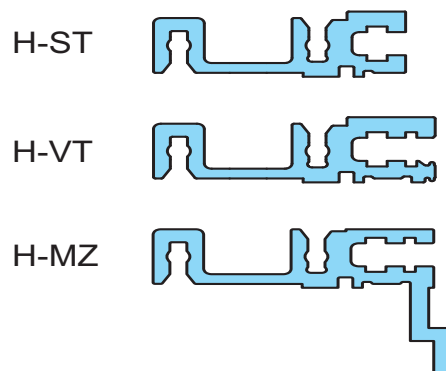
02004076

Case 2 x 3 U (6 U)



02004077

Horizontal rails



02004078

# Desk-top cases – CompacPRO

## HORIZONTAL RAILS TO FRONT/CENTRE/REAR

### ORDER INFORMATION

|  |           | For indirect backplane fixing with insulation strip  | For direct backplane fixing  | For direct fixing of connectors in accordance with EN 60603-2 (DIN 41612)   | Front horizontal rails  |
|--|-----------|--|--|---|---|
|  |           |  <p>04400001</p> <p>"heavy"<br/>Type H-ST<br/>standard</p>  <p>06197011</p> <p>Al extrusion, anodised finish, conductive contact surface, with printed HP markings</p> |  <p>04400002</p> <p>"heavy"<br/>Type H-VT<br/>long lip</p>  <p>06197013</p> <p>Al extrusion, anodised finish, conductive contact surface, with printed HP markings</p> |  <p>04400003</p> <p>"heavy"<br/>Type H-MZ<br/>with Z-rail</p>  <p>06197015</p> <p>Al extrusion, anodised finish, conductive contact surface, with printed HP markings</p> |  <p>04400003</p> <p>"heavy"<br/>Type H-KD<br/>short lip</p>  <p>06197008</p> <p>Al extrusion, anodised finish, conductive contact surface, with printed HP markings</p> |
| Usable length HP   | Length mm | 1 piece (SPQ 10) <sup>1)</sup>   | 1 piece (SPQ 10) <sup>1)</sup>   | 1 piece (SPQ 10) <sup>1)</sup>  | 1 piece (SPQ 10) <sup>1)</sup>  |
| 28   | 147.32    | <b>34560-528</b>   | <b>34560-728</b>   | <b>34560-928</b>  | <b>34560-228</b>  |
| 42   | 218.44    | <b>34560-542</b>   | <b>34560-742</b>   | <b>34560-942</b>  | <b>34560-242</b>  |
| 63   | 325.12    | <b>34560-563</b>   | <b>34560-763</b>   | <b>34560-963</b>  | <b>34560-263</b>  |
| 84   | 431.80    | <b>34560-584</b>   | <b>34560-784</b>   | <b>34560-984</b>  | <b>34560-284</b>  |
| Torx countersunk screw, , M4 × 14, St, zinc-plated, PU 100 pieces  |           | <b>24571-371</b>   | <b>24571-371</b>   | <b>24571-371</b>  | <b>24571-371</b>  |
| Torx countersunk screw, , M4 × 10, St, zinc-plated, required if guide rail is screwed to slot 1, PU 100 pieces |           | –  | –  | <b>24571-372</b>  | <b>24571-372</b>  |
| Z-rail for connector mounting without insulation strip see page  |           | 5.91   | –  | –   | –   |
| Insulation strips see page   |           | –  | 5.90   | –   | –   |
| Threaded inserts see page  |           | 5.90   | 5.90   | 5.90  | 5.90  |

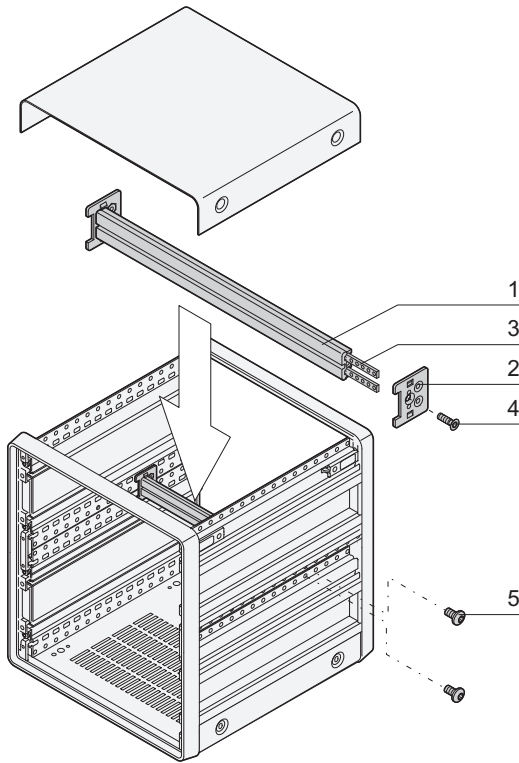
1) SPQ (standard pack quantity): Order number includes 1 piece, but delivery is exclusively made in standard pack quantity (SPQ); please order at least the SPQ quantity or a multiple thereof

### NOTE

- Further horizontal rails, see from page 6.27
- Fitting options, see page 5.88

# Desk-top cases – CompacPRO

## HORIZONTAL RAIL, CENTRE, TYPE ST-C



- For indirect backplane mounting (with insulation strip)
- For 6 U compacPRO case

**DELIVERY COMPRISES** (Kit, items 1 to 4 are pre-mounted)

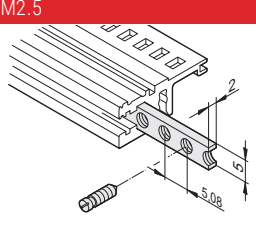
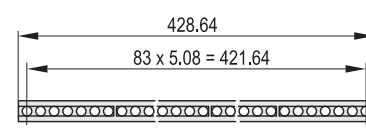
| Item | Qty | Description  |
|------|-----|--|
| 1    | 1   | Horizontal rail, Al extrusion, anodised, contact surfaces conductive |
| 2    | 2   | Adaptor plate, Al  |
| 3    | 2   | Threaded insert, M2.5, St, zinc-plated                               |
| 4    | 2   | Countersunk screw, M4 x 14   |
| 5    | 4   | Panhead screw, M4 x 6  |

### ORDER INFORMATION

| Usable width | Length | Part no.         |
|--------------|--------|------------------|
| HP           | mm     |                  |
| 63           | 325.1  | <b>24575-454</b> |
| 84           | 431.8  | <b>24575-474</b> |

## THREADED INSERTS, PERFORATED STRIPS, INSULATION STRIPS

### ORDER INFORMATION

|               |        | Threaded insert   |                                | Insulation strip  |                  |
|---------------|--------|---|--------------------------------|---|------------------|
|               |        | M2.5  | M3                             |   |                  |
|               |        |  <p>06103056</p> <p>required for fixing the front panel to the horizontal rail; St, zinc-plated; Use collar screw 12.3 mm, see page 6.64</p> |                                |  <p>826749</p> <p>for insulated mounting of backplane; PC, UL 94 V-0, grey</p> |                  |
| Usable length | Length | Threaded insert   |                                | Insulation strip  |                  |
| HP            | mm     | 1 piece (SPQ 10) <sup>1)</sup>  | 1 piece (SPQ 10) <sup>1)</sup> | Length  | PU 10 pieces     |
| 28            | 146.82 | <b>34561-328</b>  | –                              | 144.20  | <b>24560-828</b> |
| 42            | 217.94 | <b>34561-342</b>  | –                              | 210.40  | <b>24560-842</b> |
| 63            | 324.62 | <b>34561-363</b>  | –                              | 316.88  | <b>24560-863</b> |
| 84            | 431.30 | <b>34561-384</b>  | <b>34561-484</b>               | 428.64  | <b>24560-884</b> |

### Accessories

|                                    |                  |                  |   |
|------------------------------------|------------------|------------------|---|
| Grub screw M2.5 x 8, PU 100 pieces | <b>21100-276</b> | –                | – |
| Grub screw M3 x 8, PU 100 pieces   | –                | <b>21100-646</b> | – |

1) SPQ (standard pack quantity): Order number includes 1 piece, but delivery is exclusively made in standard pack quantity (SPQ); please order at least the SPQ quantity or a multiple thereof

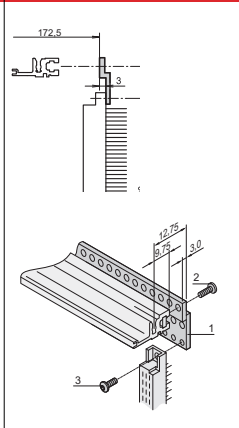
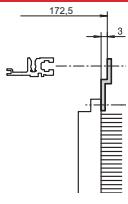
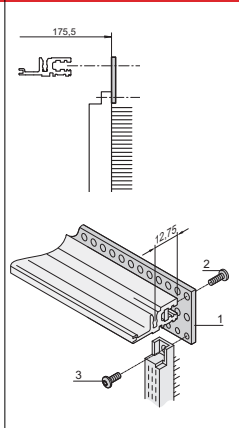
2) Part no. includes one packing unit (PU); delivery is exclusively made in PU



# Desk-top cases – CompacPRO

## Z-RAILS, PERFORATED RAILS

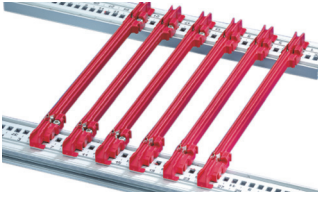
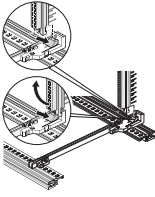
### ORDER INFORMATION

|  |              | Z-rail for connectors<br>DIN EN 60603-2, DIN 41612<br>item 1  | 31-pin, DIN 41617  | Perforated rail<br>EN 606032, DIN 41612<br>item 1   |
|--|--------------|---|--|---|
|  |              |  <p>BZA45849</p> <p>06708063</p> |  <p>BZA45850</p> |  <p>BZA45848</p> <p>06708051</p> |
|  |              | for connector mounting on ST horizontal rails, please order threaded insert and screw separately                  | for connector mounting on ST horizontal rails, please order threaded insert and screw separately   | for connector mounting on VT horizontal rails, please order threaded insert and screw separately                    |
| Usable length<br>HP  | Length<br>mm | 1 piece   | 1 piece  | PU 4 pieces   |
| 28   | 142.24       | <b>30822-033</b>  | –  | <b>20822-049</b>  |
| 42   | 213.36       | <b>30822-047</b>  | –  | <b>20822-050</b>  |
| 60   | 304.80       | <b>30822-065</b>  | <b>30819-783</b>   | <b>20822-047</b>  |
| 84   | 426.70       | <b>30822-089</b>  | <b>30819-808</b>   | <b>20822-048</b>  |
| Item 3, Torx panhead screw<br>to fix connector to perforated rail,, M2.5 × 7, PU 100 pieces            |              | <b>24560-147</b>  | <b>24560-147</b>   | <b>24560-147</b>  |
| Item 2, Torx panhead screw,<br>to fix perforated rails to horizontal rail, M2.5 × 10,<br>PU 100 pieces |              | <b>24560-148</b>  | <b>24560-148</b>   | <b>24560-148</b>  |

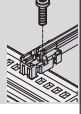

# Desk-top cases – CompacPRO

## GUIDE RAILS FOR PLUG-IN UNITS AND MODULES, ONE-PIECE, GROOVE WIDTH 2 MM AND 2.5 MM

### ORDER INFORMATION

|  |                    |              | For plug-in units and frame type plug-in units<br>standard                        | standard, with DIN connector fixing   |
|--|--------------------|--------------|---|---|
| <b>Assembly</b><br>- can be clipped into Al extruded horizontal rails<br>- can be clipped into 1.5 mm thick plates               |                    |              |  |  |
| <b>Storage temperature</b><br>from -40 °C ... 130 °C   |                    |              |   |   |
| up to 220 mm length, PC, UL 94 V-0;<br>from 280 mm length, multi-piece, end piece PC, UL 94 V-0,<br>central section Al extrusion |                    |              | 06102002  | 06101501  |
| PBT, UL 94 V-0, red,<br>connector is clipped directly onto the guide rails;<br>for euroboards, 100 x 160 mm or 100 x 220 mm only |                    |              |   |   |
| Board length<br>mm   | Groove width<br>mm | Colour<br>mm | PU 10 pieces  | 1 pair (SPQ 10) <sup>1)</sup>   |
| 70   | 2                  | red          | –   | –   |
| 70   | 2                  | grey         | –   | –   |
| 160  | 2                  | red          | <b>24568-361</b>  | <b>64560-074</b>  |
| 220  | 2                  | red          | <b>24568-362</b>  | <b>64560-075</b>  |
| 280  | 2                  | red          | <b>24568-379</b>  | –   |
| 340  | 2                  | red          | <b>24568-380</b>  | –   |
| 160  | 2.5                | red          | –   | –   |
| 220  | 2.5                | red          | –   | –   |
| Dimension drawings see page  |                    |              | 6.40  | 6.40  |

### Accessories

|                                |   |                  |                  |
|--------------------------------|---|------------------|------------------|
| Retention screw, PU 100 pieces |  | <b>24560-141</b> | <b>24560-141</b> |
| ESD clip, PU 50 pieces         |  | <b>24560-255</b> | <b>24560-255</b> |

1) SPQ (standard pack quantity): Order number includes 1 piece, but delivery is exclusively made in standard pack quantity (SPQ); please order at least the SPQ quantity or a multiple thereof

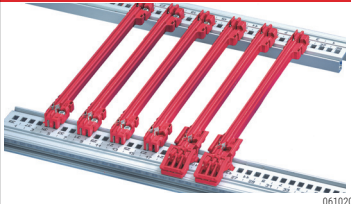
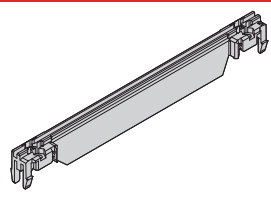

2) Part no. includes one packing unit (PU); delivery is exclusively made in PU

Description of accessories see from page 6.41

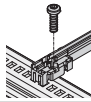
# Desk-top cases – CompacPRO

## GUIDE RAILS TYPE "ACCESSORY", ONE-PIECE, GROOVE WIDTH 2 MM AND 2.5 MM

### ORDER INFORMATION

|  |                    |              | Guide rails type<br>accessory   | accessory, strengthened   | for heavy modules, Al extrusion, silver,<br>robust version   |
|--|--------------------|--------------|---|---|--|
| <b>Assembly</b><br>- can be clipped into horizontal rails in Al extrusion<br>- can be clipped into 1.5 mm thick sheet metal<br><br><b>Storage temperature</b><br>from -40 °C ... +130 °C |                    |              |  <p>up to 280 mm length, PC UL 94 V-0;<br/>&gt;280 mm length, multi-piece, end piece PC, UL 94V-0,<br/>middle section Al extrusion</p> |  <p>PC UL 94 V-0,<br/>red support beam of guide rails adds to strengthening</p> |  <p>Al extrusion;<br/>is screwed to horizontal rail "heavy" with retention screws</p> |
| Board length<br>mm   | Groove width<br>mm | Colour<br>mm | PU 10 pieces  | 1 piece (SPQ 50)  | 1 piece (SPQ 10) <sup>1)</sup>   |
| 100  | 2                  | red          | -   | -   | -  |
| 160  | 2                  | red          | <b>24568-363</b>  | <b>64568-076</b>  | -  |
| 160  | 2                  | grey         | -   | -   | <b>34562-881</b>   |
| 220  | 2                  | red          | <b>24568-364</b>  | <b>64568-078</b>  | -  |
| 220  | 2                  | grey         | -   | -   | <b>34562-882</b>   |
| 280  | 2                  | red/silver   | <b>24568-381</b>  | <b>64568-080</b>  | <b>34562-883</b>   |
| 340  | 2                  | red/silver   | <b>24568-382</b>  | -   | <b>34562-884</b>   |
| 400  | 2                  | red/silver   | -   | -   | <b>34562-885</b>   |
| 160  | 2.5                | red/silver   | -   | <b>64568-118</b>  | <b>34564-881</b>   |
| 220  | 2.5                | red/silver   | -   | <b>64568-119</b>  | <b>34564-882</b>   |
| 280  | 2.5                | red/silver   | -   | <b>64568-120</b>  | <b>34564-883</b>   |
| 340  | 2.5                | silver       | -   | -   | <b>34564-884</b>   |
| 400  | 2.5                | silver       | -   | -   | <b>34564-885</b>   |
| Dimension drawings see page  |                    |              | 6.40  | 6.40  | 6.40   |

### Accessories

|  |   |                  |                  |                  |
|--|---|------------------|------------------|------------------|
| Retention screw, PU 100 pieces                                       |  | <b>24560-141</b> | <b>24560-141</b> | <b>24560-157</b> |
| ESD clip, PU 50 pieces   |   | <b>24560-255</b> | <b>24560-255</b> | -                |
| Board locking C, red, PU 10 pieces                                   |   | <b>24560-377</b> | <b>24560-377</b> | -                |
| Board handle C, red, PU 10 pieces                                    |   | <b>24560-378</b> | <b>24560-378</b> | -                |
| Identification strips for board handle, red, PU 1 sheet = 438 pieces |   | <b>60817-228</b> | <b>60817-228</b> | -                |
| Coding see page  |   | see page 6.41    |                  | -                |

1) SPQ (standard pack quantity): Order number includes 1 piece, but delivery is exclusively made in standard pack quantity (SPQ); please order at least the SPQ quantity or a multiple thereof

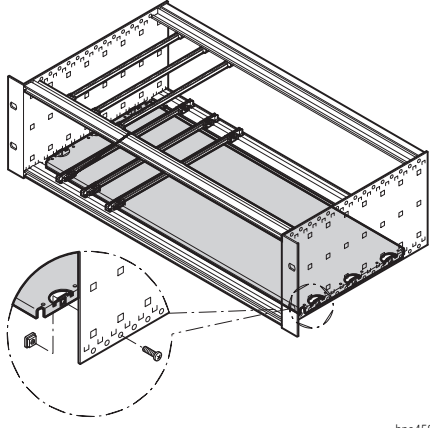
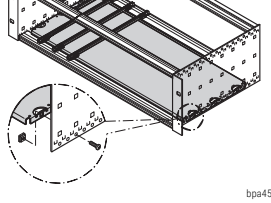
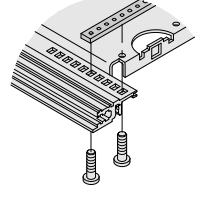
2) Part no. includes one packing unit (PU); delivery is exclusively made in PU

Further guide rails see page 6.35

# Desk-top cases – CompacPRO

## MOUNTING PLATES

### ORDER INFORMATION

|  |         |             |                    | Mounting plate  |                                 |  |                  |
|--|---------|-------------|--------------------|---|---------------------------------|--|------------------|
|  |         |             |                    | for use without cover plate   | Fixing strip for partial widths |  |                  |
|  <p style="text-align: right; font-size: small;">bpa45875</p>  |         |             |                    |  <p style="text-align: right; font-size: small;">bpa45875</p> |                                 |  <p style="text-align: right; font-size: small;">bpa46557</p> |                  |
|  |         |             |                    | Al, 1.5 mm;<br>for mounting over partial width,<br>please order fixing strips separately  |                                 | St, 2.5 mm, zinc-plated;<br>is bolted from front to rear<br>onto the horizontal rails;<br>to fix mounting plates                                 |                  |
| Width W<br>HP  | W<br>mm | Depth<br>mm | Board length<br>mm |   |                                 | 1 piece  | 1 piece          |
| 28   | 146.88  | 112.5       | 160                |   |                                 | <b>34562-745</b>   | <b>30840-021</b> |
| 28   | 146.88  | 172.5       | 220                |   |                                 | <b>34562-749</b>   | <b>30840-033</b> |
| 28   | 146.88  | 232.5       | 280                |   |                                 | <b>34562-753</b>   | <b>30840-045</b> |
| 28   | 146.88  | 292.2       | 340                |   |                                 | <b>34562-757</b>   | <b>30840-057</b> |
| 42   | 217.99  | 112,5       | 160                |   |                                 | <b>34562-746</b>   | <b>30840-021</b> |
| 42   | 217.99  | 172,5       | 220                |   |                                 | <b>34562-750</b>   | <b>30840-033</b> |
| 42   | 217.99  | 232,5       | 280                |   |                                 | <b>34562-754</b>   | <b>30840-045</b> |
| 42   | 217.99  | 292,2       | 340                |   |                                 | <b>34562-758</b>   | <b>30840-057</b> |
| 63   | 324.67  | 112,5       | 160                |   |                                 | <b>34562-747</b>   | <b>30840-021</b> |
| 63   | 324.67  | 172,5       | 220                |   |                                 | <b>34562-751</b>   | <b>30840-033</b> |
| 63   | 324.67  | 232,5       | 280                |   |                                 | <b>34562-755</b>   | <b>30840-045</b> |
| 63   | 324.67  | 292,2       | 340                |   |                                 | <b>34562-759</b>   | <b>30840-057</b> |
| 84   | 431.35  | 112,5       | 160                |   |                                 | <b>34562-748</b>   | –                |
| 84   | 431.35  | 172,5       | 220                |   |                                 | <b>34562-752</b>   | –                |
| 84   | 431.35  | 232,5       | 280                |   |                                 | <b>34562-756</b>   | –                |
| 84   | 431.35  | 292,2       | 340                |   |                                 | <b>34562-760</b>   | –                |
| 84   | 431.35  | 352,5       | 400                |   |                                 | <b>34562-870</b>   | –                |
| 84   | 431.35  | 412,5       | 460                |   |                                 | <b>34562-871</b>   | –                |
| Assembly kit for mounting plate, PU 1 kit<br>(Torx countersunk screw M4 x 5, St,<br>zinc-plated, 16 pieces;<br>screw M4 x 6, St, zinc-plated, 14 pieces;<br>square nut M4, St, zinc-plated, 14 pieces) |         |             |                    |   |                                 | <b>24560-184</b>   | –                |
| Assembly kit for fixing strips for partial width mounting<br>plates<br>Torx screw M2.5 x 5, St, zinc-plated, PU 100 pieces   |         |             |                    | –   |                                 | –  | <b>24560-146</b> |

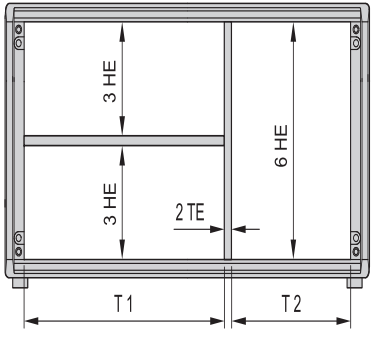
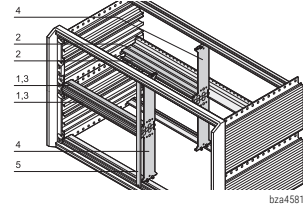
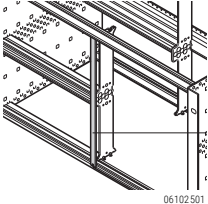
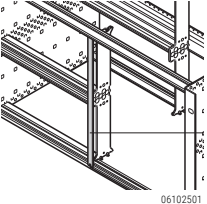
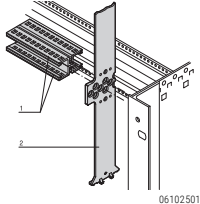
### NOTE

- For installation and fixing of heavy components
- In addition to the mounting plate, (EMC) cover plates can also be fitted to the subrack
- The mounting plate is as wide as the subrack or system case and is fixed to the side panels
- A guide rail can be fitted on the first and last slot
- Guide rails type "4.4" and type "strengthened" cannot be used

# Desk-top cases – CompacPRO

## COMBINED MOUNTINGS (6 U AND 2 X 3 U ONE ABOVE THE OTHER)

### ORDER INFORMATION

|   | Combined mounting:<br>horizontal and vertical subdivision<br>(incl. front panel for stainless steel<br>EMC gasket)   | unshielded front panel,<br>6 U, 2 HP<br>item 6  | front panel for textile<br>EMC gasket, 6 U, 2 HP<br>item 6   | Splitting extrusion<br>for combined mounting<br>Item 2   |
|---|--|---|--|--|
|                            |  <p>item 1: 2 front horizontal rails (H-KD), Al extrusion, anodised;<br/>item 2: 2 rear horizontal rails (AB), Al extrusion, anodised; item 3: threaded insert, St, zinc-plated;<br/>item 4: Zn die-cast support member;<br/>item 6: front panel 2 HP, 6 U, shielded; with EMC stainless steel gasket (84:0 without items 4, 6)</p> |  <p>Al, 2.5 mm, front anodised, rear iridescent green chromated</p> |  <p>Al, 2.5 mm, U-profile with notch, 6 U, 2 HP</p> |  <p>6 U, die-cast zinc; splitting extrusion is inserted in the grid holes of the horizontal rail; the splitting extrusion can be bolted</p> |
| Width pitch T1:T2<br>HP   | PU 1 kit   | 1 piece (SPQ 5)   | 1 piece (SPQ 5) <sup>1)</sup>  | 1 piece  |
| 20:62   | <b>24562-420</b>   |   |  |  |
| 40:42   | <b>24562-440</b>   |   |  |  |
| 42:40   | <b>24562-442</b>   | <b>30847-472</b>  | <b>30849-140</b>   | <b>64560-010</b>   |
| 63:19   | <b>24562-463</b>   |   |  |  |
| 84:0  | <b>24562-484</b>   |   |  |  |
| Torx countersunk screw<br>M4 x 14, zinc-plated, PU 100 pieces<br>fixing splitting extrusion/horizontal rail | –  | –   | –  | <b>24560-145</b>   |
| Panhead screw<br>M2.5 x 10, St, zinc-plated, PU 100 pieces<br>finxing horizontal rail/splitting extrusion   | –  | –   | –  | <b>24560-179</b>   |
| Pozidrive/slotted collar screw<br>M2.5 x 12.3, St, nickel-plated, PU 100 pieces                             | –  | <b>21101-101</b>  | <b>21101-101</b>   | –  |
| Pozidrive/slotted collar screw<br>M2.5, black, zinc-plated, PU 100 pieces                                   | –  | <b>21101-102</b>  | <b>21101-102</b>   | –  |
| Washer<br>2.7 x 5 x 1, plastic PA 6, PU 100 pieces  | –  | <b>21101-121</b>  | <b>21101-121</b>   | –  |
| Textile gasket, core: foam,<br>sleeve: textile cladding with CuNi coating,<br>UL 94 V-0, PU 10 pieces       | –  | –   | <b>21101-855</b>   | –  |

- Subdivision of the 6 U assembly area into:
  - 2 x 3 U
  - 1 x 6 U
- Designed to accept Euroboards (100 mm high) and double Euroboards (233.35 mm high)

#### NOTE

- Please order perforated strips for horizontal rails separately, see page 5.90
- Please order rear centre horizontal rail separately, see page 5.89

# Desk-top cases – CompacPRO

## HORIZONTAL BOARD INSTALLATION

### ORDER INFORMATION

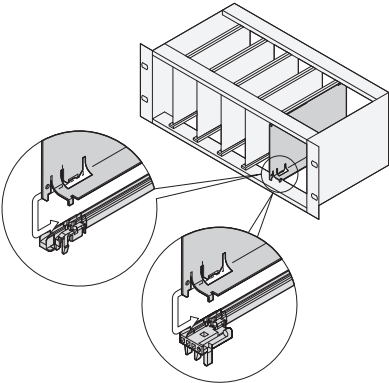
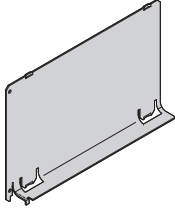
|  |                    |   | Horizontal board installation  |  |   |
|--|--------------------|---|--|--|---|
|  |                    |   | Board cage   | Front frame for EMC shielding  | Front frame, unshielded   |
| <p>H = usable height (1 TE = 1 HP, 1 HE = 1 U)</p>           |                    |   | <p>05806091</p> <p>Struts die-cast zinc; horizontal rails front and rear; threaded insert, St, zinc-plated; fixing material kit; for horizontal mounting of double-height euroboards in 3 or 4 U high subracks/cases; 54 HP space required; <b>please order front frame for EMC shielding separately</b></p> | <p>bpa45913</p> <p>2 horizontal covers, Al 2.5 mm, front anodised, rear iridescent green chromated; 2 vertical trims, Al extrusion, clear passivated; stainless steel EMC gasket; front frame forms the contact between subrack and the sub-assemblies</p> | <p>bza43061</p> <p>Al, 2.5 mm, clear anodised; front frame with cut-out, clear internal width w = 266.35 mm</p> |
| Height U   | Usable height h HP | Other dimensions and options<br>Horizontal rail, front    Horizontal rail, rear | PU 1 kit   | PU 1 kit   | 1 piece   |
| 3  | 20                 |   | <b>24564-117</b>   | <b>24564-109</b>   | 34564-108   |
| 3  | 20                 |   | <b>24564-118</b>   | <b>24564-109</b>   | 34564-109   |
| 4  | 28                 |   | <b>24564-217</b>   | <b>24564-209</b>   | <b>34564-208</b>  |
| Assembly tool, for mounting the EMC gasket (stainless steel) |                    |   | -  | <b>24560-270</b>   | -   |

\* For direct backplane mounting

# Desk-top cases – CompacPRO

## AIR BAFFLE FOR SLOTS

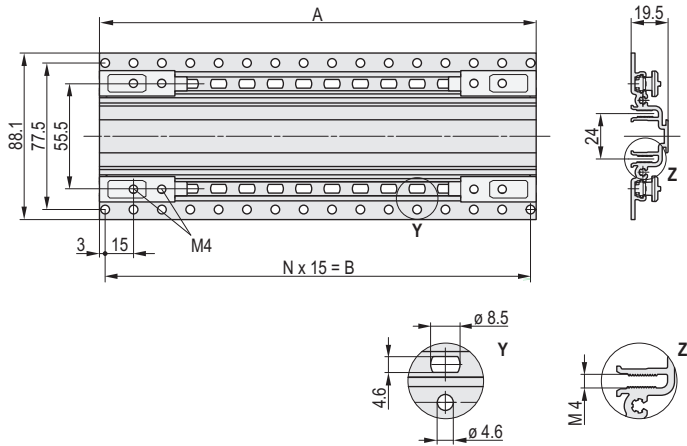
### ORDER INFORMATION

|   |             |             |   |
|---|-------------|-------------|---|
|    |             |             | <p>Air baffle<br/>without front panel</p>  |
| <p>Al, 1 mm, incl. assembly kit; prevents an air short circuit in unoccupied slot positions; is pushed into the groove of the guide rails</p> |             |             | <p>06108085</p>   |
| Depth<br>mm   | Width<br>HP | Height<br>U | 1 piece   |
| 160   | 4           | 3           | <b>34562-823</b>  |
| 160   | 4           | 6           | <b>34562-826</b>  |
| 220   | 4           | 3           | <b>34562-824</b>  |
| 220   | 4           | 6           | 34562-827   |

# Desk-top cases – CompacPRO

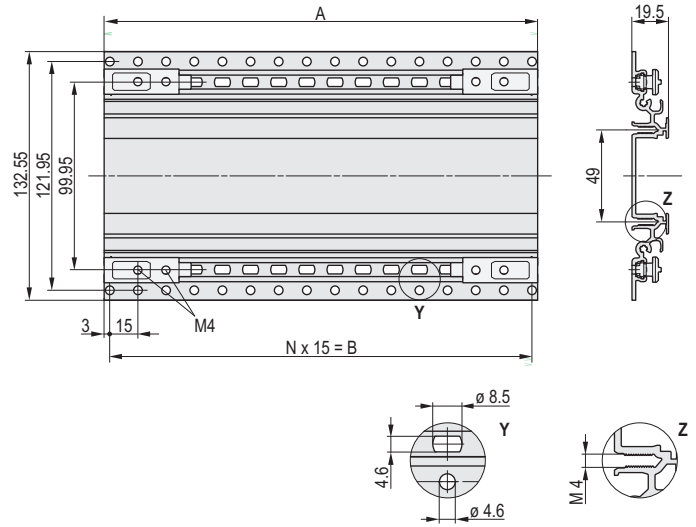
## DIMENSIONS

Extruded side panel 2 U



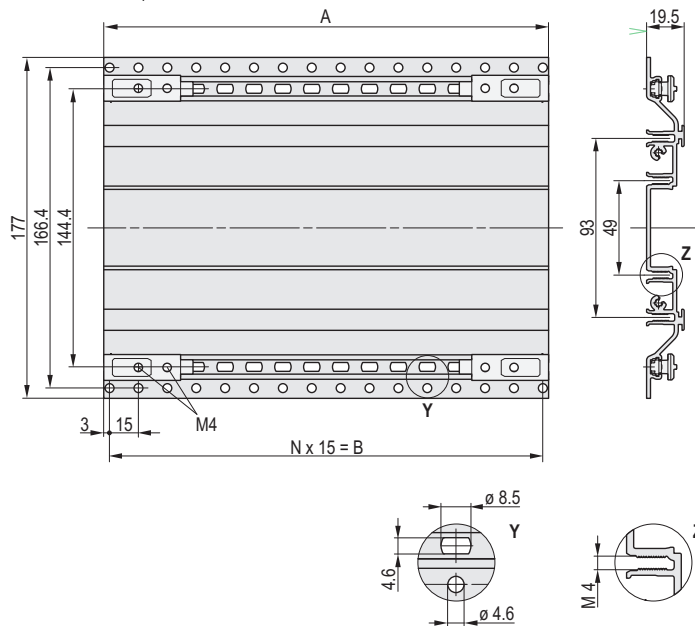
02004057

Extruded side panel 3 U



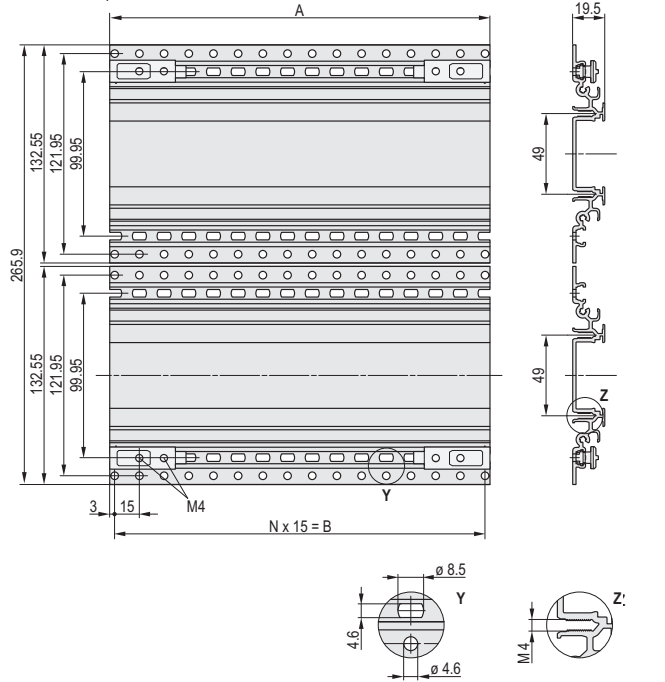
02004058

Extruded side panel 4 U



02004059

Extruded side panel 6 U



02004060

### Dimensions

| mm  | For case depth | Max. mounting depth | Dimensions |             |
|-----|----------------|---------------------|------------|-------------|
|     |                |                     | A in mm    | B in mm     |
| 271 |                | 250                 | 231        | 15 15 = 225 |
| 331 |                | 310                 | 291        | 19 15 = 285 |
| 391 |                | 370                 | 351        | 23 15 = 345 |
| 451 |                | 430                 | 411        | 27 15 = 405 |
| 511 |                | 490                 | 471        | 31 15 = 465 |

### Note

Side panel for 6 U case consists of two 3 U extruded side panels



# Desk-top cases – CompacPRO

# Desk-top cases – Introduction

## CASE TYPES: DESK-TOP ENCLOSURE/19" CASE



Desk-top enclosure, ratiopacPRO 19" case, comptec

### Desk-top enclosures

Our desk-top cases are used to house PCBs (euroboards) or individual components

The choice is yours:

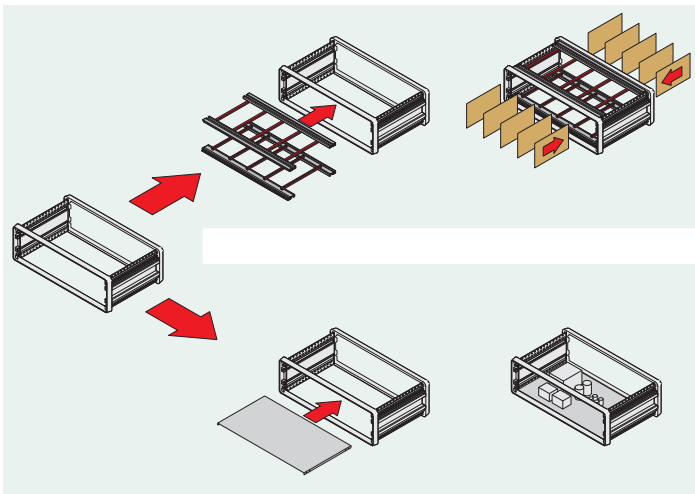
- ratiopacPRO, the universal case with 19" compatible dimensions and high EMC shielding, e.g. for CompactPCI and VME64x applications
- propacPRO, the robust case with high EMC shielding for 19"-compatible or custom electronics assemblies
- compacPRO, Desk-top or portable case for unshielded applications

### 19" cases

Our comptec cases are comparable with small cabinets and are used to house 19" components such as subracks, 19" fan trays or 19" front panels

All desk-top enclosures have a very low weight owing to the materials used and are also suitable for mobile use

## APPLICATIONS FOR DESK-TOP ENCLOSURES



The most important user domains for desk-top enclosures are:

- Fitting with euroboards in accordance with IEC 60297



- Fitting with individual electrical or mechanical components, e.g. on mounting plates



## ONE PRODUCT PLATFORM AND EXTENSIVE ACCESSORIES



- Practical technology without time-consuming assembly. The modular product platform of these cases allows a wide range of possible uses with only a small number of components.

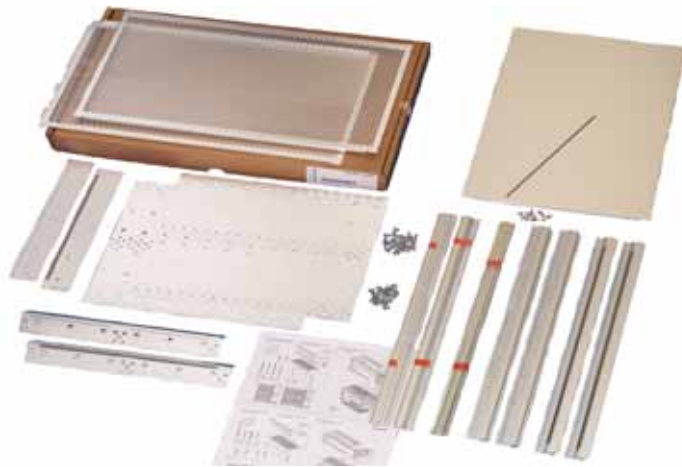
The intelligent design of all components results in an astonishingly quick and easy assembly of the components.

With our PRO product platform we offer you full compatibility of all individual components and accessories, also with our europacPRO subracks.

Standard desk-top enclosures can also be adapted easily and with little effort for mobile applications.

# Desk-top cases – Introduction

## FORMS OF DELIVERY FOR DESK-TOP ENCLOSURES



Flat pack delivery to save space

06104001

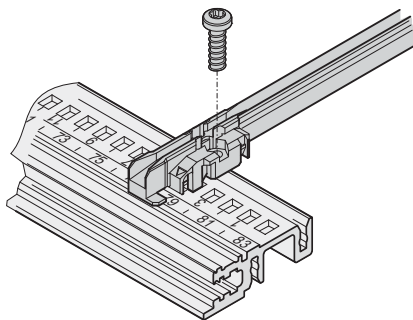
Supplied in space-saving packs. Simply unpack parts and screw together - done.

Depending on the kit chosen the threaded insert, the perforated rail or the EMC gasket is pre-assembled on the horizontal rail.

We offer you three forms of delivery:

- Pre-assembled kit for use with 160 mm deep euroboards, frame fitted, cladding parts and guide rails supplied loose.
- Pre-assembled kit for individual configuration, frame assembled, cladding parts supplied loose.
- Ready assembled cases to your specifications. With our ServicePLUS option you can order ready-assembled cases, with drilled holes and cut-outs and individual front panels - if necessary even by express service.

## GUIDE RAIL



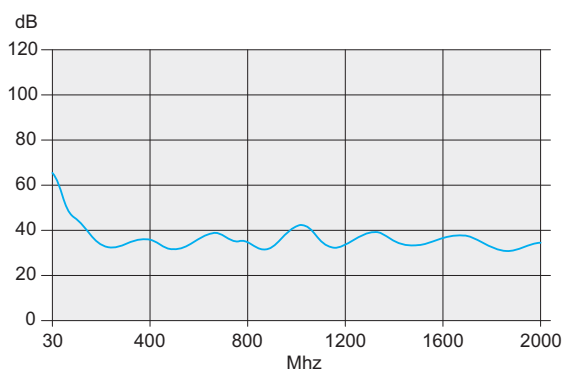
06108084

- Guide rails form the interface between the mechanics of the case and the electronics assembled (PCBs, plug-in units, frame type plug-in units, drive unit modules, etc.).

Robust snap-in fixings on the plastic rails assure that the components are held securely, even when exposed to vibrations.

Guide rails can also be screwed on.

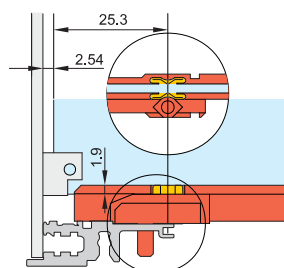
## EMC AND ESD



Shielding

06108081

- Our case product platforms offer standard solutions for achieving electromagnetic compatibility (EMC) and to avoid electrostatic interference (ESD)
- Shielding on the front and rear of the case is effected by front panels with EMC gaskets
- To prevent electrostatic discharge when inserting PCBs, ESD contacts are clipped into the guide rails. These provide a conductive connection between board and case earth/ground
- Test reports are available on our website [www.schroff.biz](http://www.schroff.biz) for download



Position of the ESD clip

04503050

# Desk-top cases – ServicePLUS

## Application examples



Application: ratiopacPRO-air case in special colour, shielded board cage, filter mat top and bottom

01809001



Application: ratiopacPRO-air case with processed front and rear panels

01809003



Application: compacPRO case, modified

02009001



Application: compacPRO case with fitted horizontal rail with lip and hinged front panel

02009003



Application: compacPRO case with fitted horizontal rail with lip and folding front panel

02009002



Application: compacPRO with tip-up carrying handle and front panel (without visible screws)

02009004



Application: inpac case with hinged and modified front and rear panels

02109001



Application: propacPRO, EMC case in special colour with mounting plates for individual construction

05809005

# Desk-top cases – ServicePLUS

## **North America**

**Warwick, RI, USA**

Tel +1.800.525.4682

**San Diego, CA, USA**

Tel +1.800.854.7086

## **Europe, Middle East & India**

**Straubenhardt, Germany**

Tel +49 7082 794 0

**Betschdorf, France**

Tel +33 3 88 90 64 90

**Warsaw, Poland**

Tel +48 22 209 98 35

**Hemel Hempstead,**

**Great Britain**

Tel +44 1442 24 04 71

**Lainate, Italy**

Tel +39 02 932 714 1

**Dubai, United Arab Emirates**

Tel +971 4 37 81 700

**Bangalore, India**

Tel +91 80 67152000

**Istanbul, Turkey**

Tel +90 216 250 7374

## **Asia Pacific**

**Shanghai, China**

Tel +86 21 2412 6943

**Singapore**

Tel +65 6768 5800

**Shin-Yokohama, Japan**

Tel +81 45 476 0271

Our powerful portfolio of brands:

**CADDY ERICO HOFFMAN RAYCHEM SCHROFF TRACER**



[nVent.com/SCHROFF](https://www.nVent.com/SCHROFF)