



Features:

- Motor: Brushless DC
- Motor Protection: IC
- Bearing Type: Two Ball
- Connection: UL 1007 AWG 24, 300mm Wire Leads
- Frame Material: Plastic UL94V-0
- Impeller Material: Plastic UL94V-0
- Operating Temp:
Two Ball: -10°C~70°C
- Life Expectancy:
Two Ball: 70,000 Hours

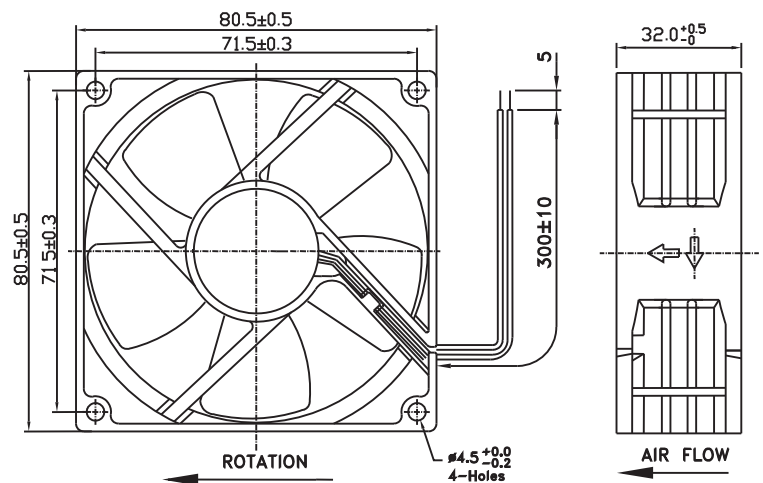
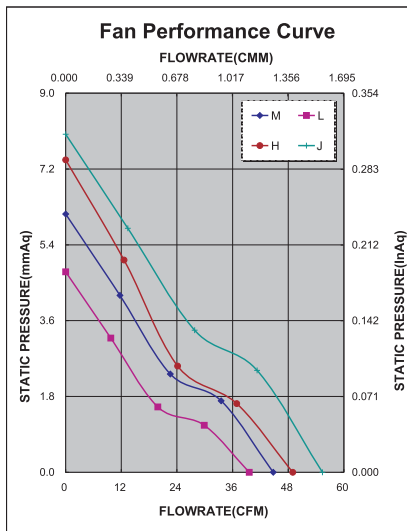


Fan-S Division



Model No.	Volt.	Current	Power	Rated Speed	Maximum AirFlow		Maximum Static Pressure		Noise Level	Weight
	(VDC)	(A)	(W)	(rpm)	(CMM)	(CFM)	(InAq)	(mmAq)	(dB/A)	(g)
FAD1-08032CBLW12	12	0.11	1.32	3000	1.120	39.578	0.187	4.749	35.5	108.0
FAD1-08032CBMW12	12	0.16	1.92	3400	1.266	44.764	0.241	6.121	36.7	108.0
FAD1-08032CBHW12	12	0.19	2.28	3800	1.414	49.998	0.292	7.416	42.4	108.0
FAD1-08032CBJW12	12	0.23	2.76	4200	1.567	55.386	0.316	8.026	44.0	108.0
FAD1-08032DBLW12	24	0.07	1.68	3000	1.120	39.578	0.187	4.749	35.5	108.0
FAD1-08032DBMW12	24	0.10	2.40	3400	1.266	44.764	0.241	6.121	36.7	108.0
FAD1-08032DBHW12	24	0.12	2.88	3800	1.414	49.998	0.292	7.416	42.4	108.0
FAD1-08032DBJW12	24	0.15	3.60	4200	1.567	55.386	0.316	8.026	44.0	108.0
FAD1-08032EBLW12	48	0.06	2.88	3000	1.120	39.578	0.187	4.749	35.5	108.0
FAD1-08032EBMW12	48	0.07	3.36	3400	1.266	44.764	0.241	6.121	36.7	108.0
FAD1-08032EBHW12	48	0.08	3.84	3800	1.414	49.998	0.292	7.416	42.4	108.0
FAD1-08032EBJW12	48	0.11	5.28	4200	1.567	55.386	0.316	8.026	44.0	108.0

Noise is measured at the distance of one (1) meter from the axis of intake.



Mouser Electronics

Authorized Distributor

Click to View Pricing, Inventory, Delivery & Lifecycle Information:

Qualtek:

[FAD1-08032CBHW12](#) [FAD1-08032CBJW12](#) [FAD1-08032CBLW12](#) [FAD1-08032CBMW12](#) [FAD1-08032DBHW12](#)
[FAD1-08032DBJW12](#) [FAD1-08032DBLW12](#) [FAD1-08032DBMW12](#) [FAD1-08032EBHW12](#) [FAD1-08032EBJW12](#)
[FAD1-08032EBLW12](#) [FAD1-08032EBMW12](#)