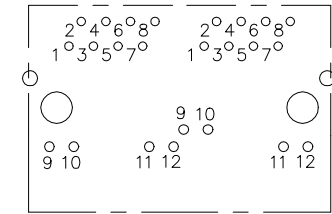
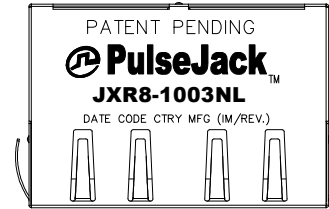


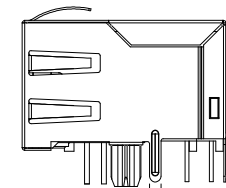
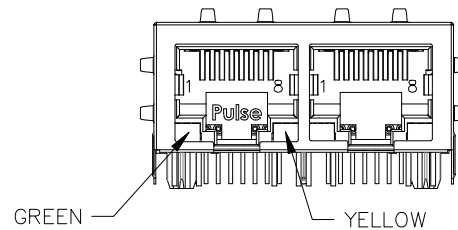


NOTES:

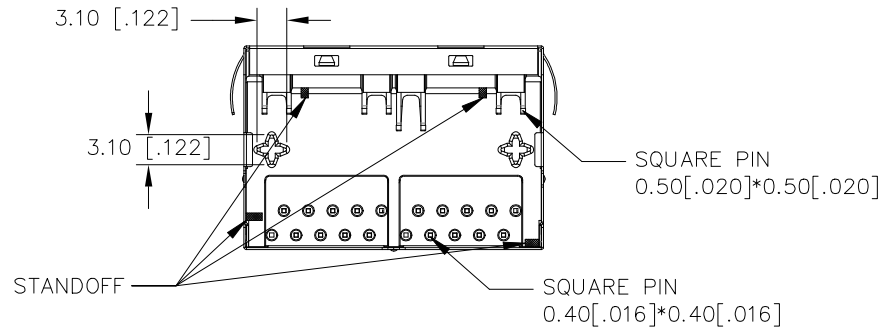
1. ROHS COMPLIANT
2. PLASTIC HOUSING: THERMOPLASTIC MATERIAL WITH FLAMMABILITY RATING UL 94V-0 OR BETTER.
3. CONTACTS PLATING: 15 μINCHES GOLD PLATING.
4. CONTACTS BASE MATERIAL: PHOSPHOR BRONZE
5. UNDER PLATING: 30–50 μINCHES NICKEL
6. SOLDER TAIL PLATING : 150–300 μINCHES 100% TIN, MATTE FINISH.
7. METAL SHIELD: NICKEL PLATING ON COPPER ALLOY.
8. JACK CAVITY CONFORMS TO FCC PART 68 SUBPART.
9. PCB PLATING: HASL
10. STORAGE TEMPERATURE: -50°C TO +125°C
11. COMPLIANCE TO J-STD:
  - A. J-STD-002: SOLDERABILITY AT 245°C DIP AND LOOK TEST
  - B. J-STD-020: LEVEL 1, NO MOISTURE SENSITIVE
  - C. J-STD-075: W2, 270°C MAXIMUM THROUGH WAVE SOLDER
  - D. J-STD-075: R7, 245°C MAXIMUM THROUGH REFLOW SOLDER



COMPONENT SIDE SHOWN



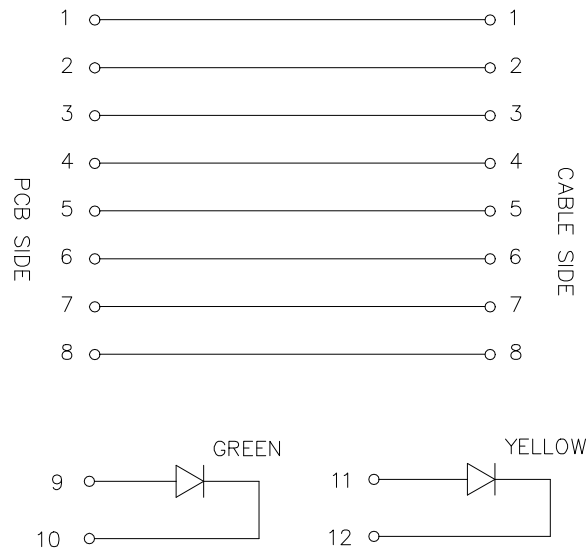
1.20 [.047]



FINAL OUTLINE

© Copyright, 2018. Pulse Electronics Corp. All rights reserved. Pulse confidential & proprietary. (11/30/18)

| PRODUCT DESCRIPTION | TLA DRAWING    | PS DRAWING     | SHEET  | PART NO.    | DATASHEET REV. |
|---------------------|----------------|----------------|--------|-------------|----------------|
| CONN,RJ45,1X2,TY    | JXR8-1003NL-11 | PS-01590.001-C | 1 OF 5 | JXR8-1003NL | C              |

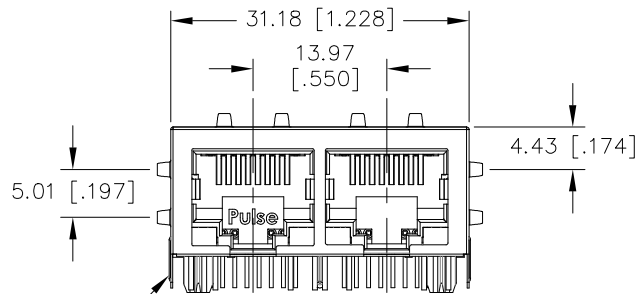
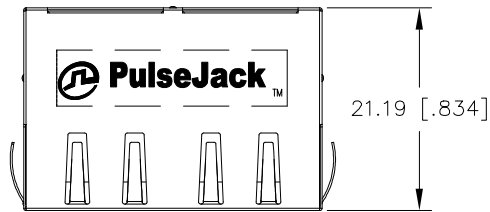


SCHEMATIC

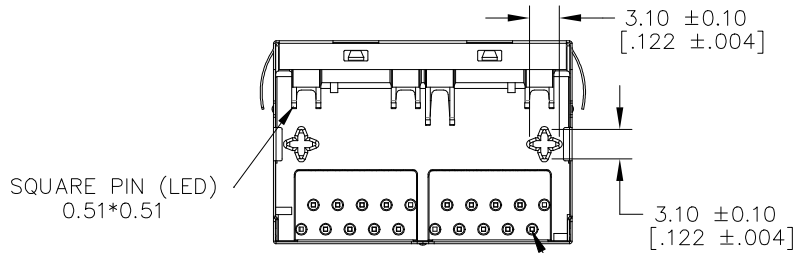
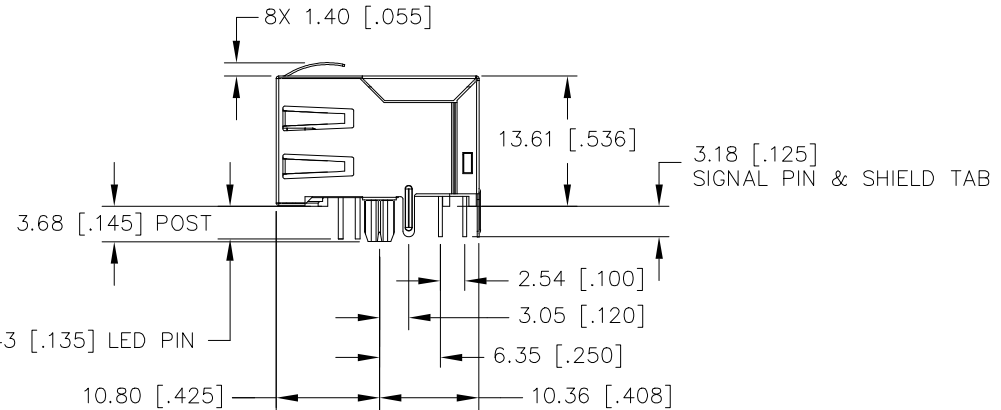
LED SPECIFICATIONS

| EMMITTED COLOR         | GREEN                  | YELLOW                 |
|------------------------|------------------------|------------------------|
| WAVELENGTH (nm)        | 578 nm                 | 590 nm                 |
| BRIGTHNESS (mCD)       | 8 TO 12 TYP.<br>@ 20mA | 8 TO 12 TYP.<br>@ 20mA |
| VIEWING ANGLE          | 100°                   | 100°                   |
| POWER DISSIPATION (Pd) | 85 mW MAX              | 85 mW MAX              |
| DC FORWARD CURRENT     | 150 mA MAX             | 150 mA MAX             |
| REVERSE VOLTAGE (Vr)   | 5.0 V MAX              | 5.0 V MAX              |

NOTE: PER VENDOR'S SPECIFICATIONS



0.20 [.008] THICKNESS  
WITH RIB 0.10 [.004]  
PER SOLDER

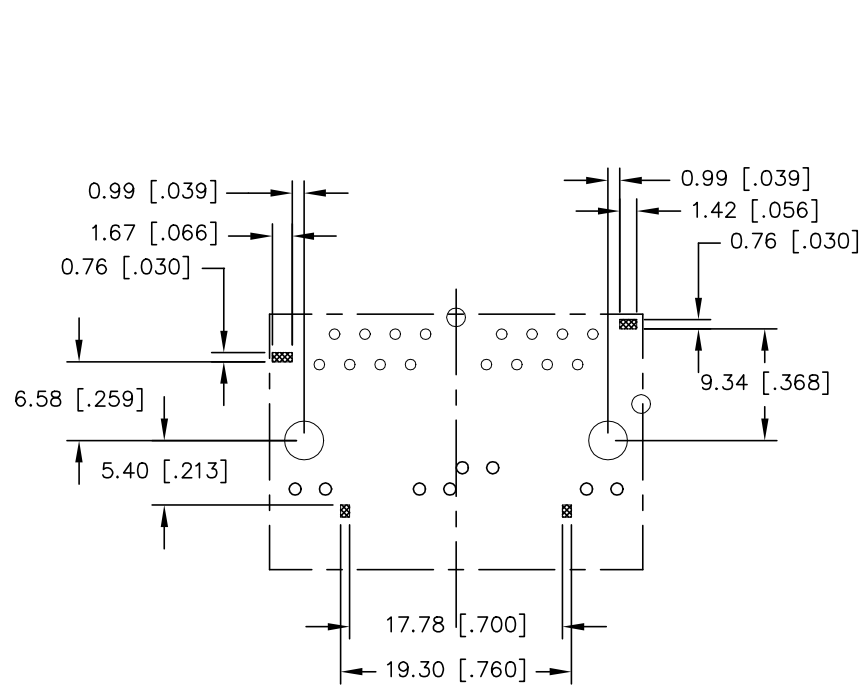


ALL DIMENSION ARE SHOWN IN MILLIMETERS.  
DIMENSIONS SHOWN IN BRACKETS ARE  
INCHES. UNLESS OTHERWISE SPECIFIED,  
THE FOLLOWING TOLERANCES APPLY:

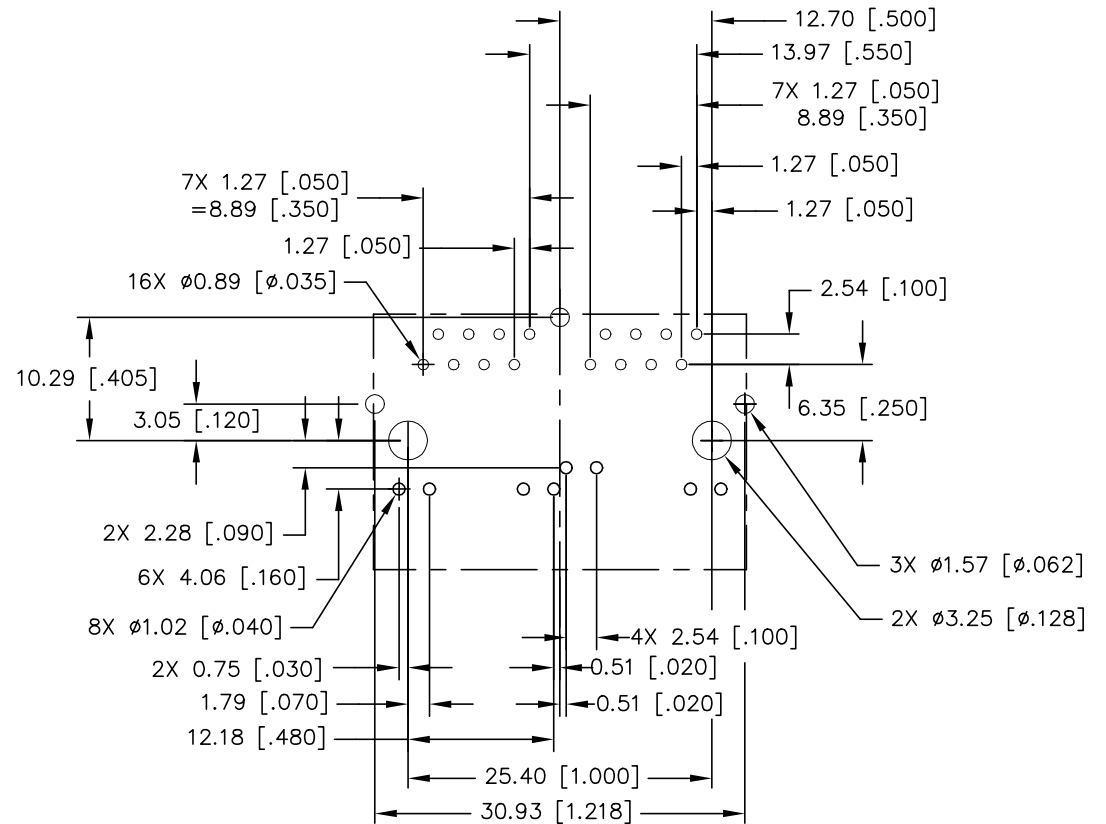
X.XX [.XXX] = ±0.25 [±.010]

© Copyright, 2018. Pulse Electronics Corp. All rights reserved. Pulse confidential & proprietary. (11/30/18)

| PRODUCT DESCRIPTION | TLA DRAWING    | PS DRAWING     | SHEET  | PART NO.    | DATASHEET REV. |
|---------------------|----------------|----------------|--------|-------------|----------------|
| CONN,RJ45,1X2,TY    | JXR8-1003NL-11 | PS-01590.001-C | 3 OF 5 | JXR8-1003NL | C              |



STAND OFF AREA (COMPONENT SIDE SHOWN)



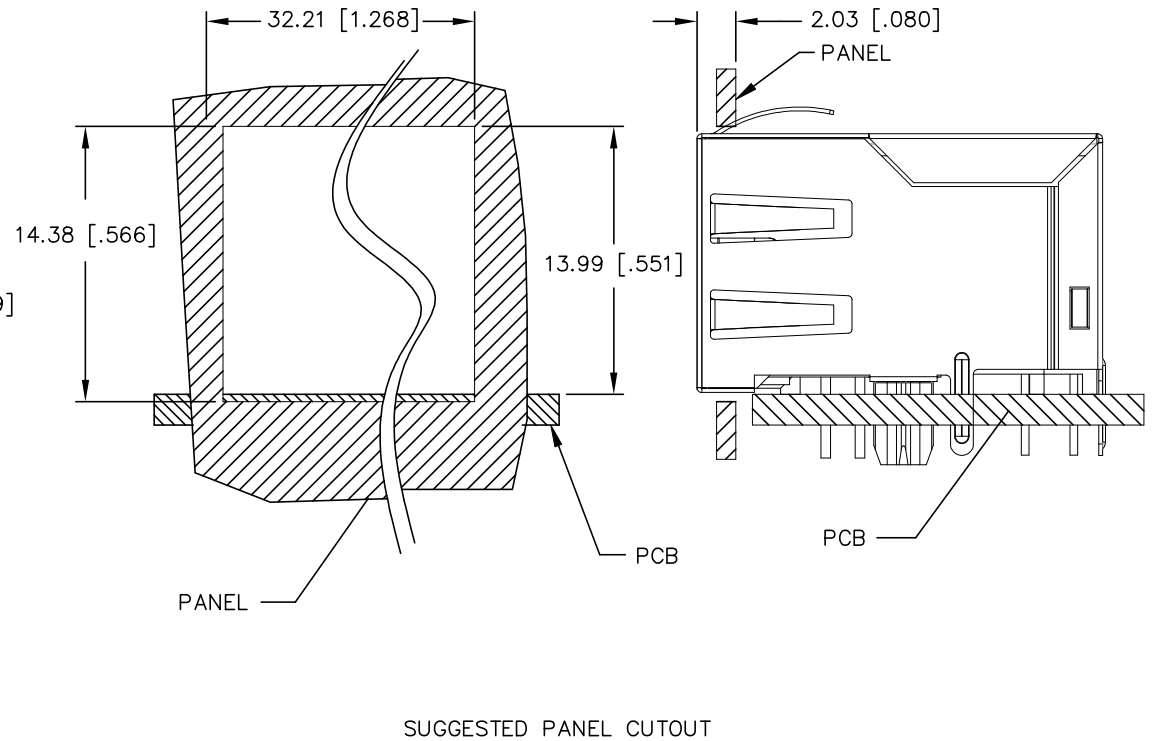
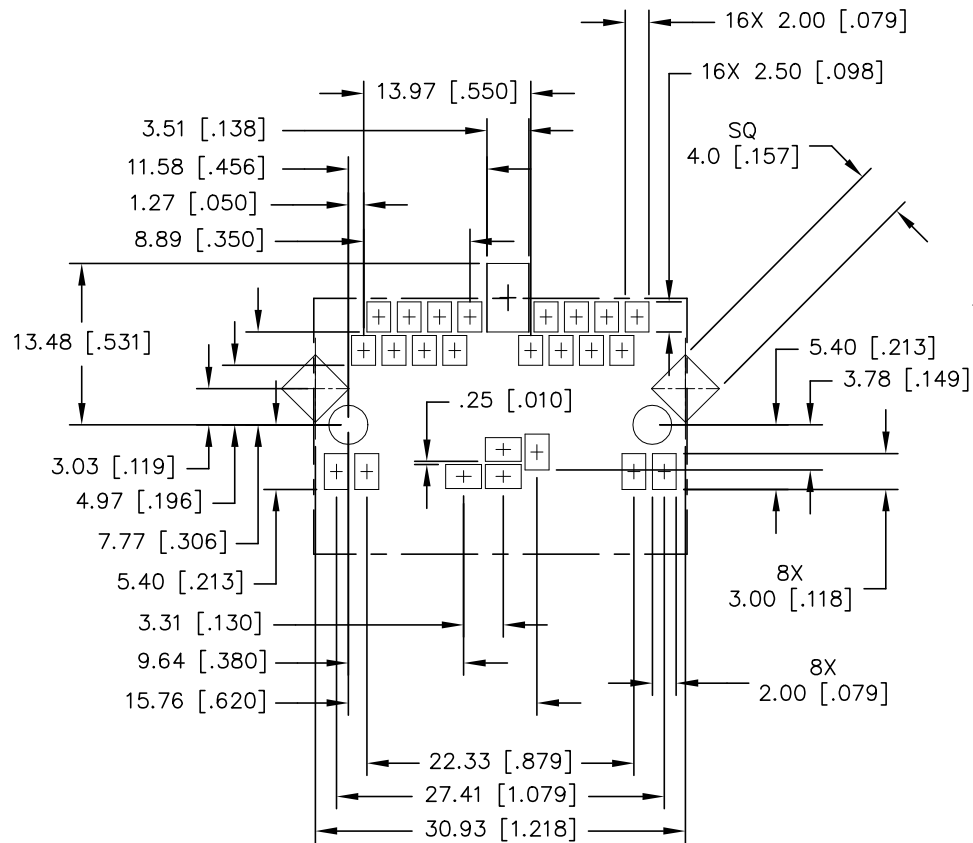
SUGGESTED FOOTPRINT (COMPONENT SIDE SHOWN)

ALL DIMENSION ARE SHOWN IN MILLIMETERS.  
DIMENSIONS SHOWN IN BRACKETS ARE  
INCHES. UNLESS OTHERWISE SPECIFIED,  
THE FOLLOWING TOLERANCES APPLY:

X.XX [.XXX] =  $\pm$ 0.08 [ $\pm$ .003]

© Copyright, 2018. Pulse Electronics Corp. All rights reserved. Pulse confidential & proprietary. (11/30/18)

| PRODUCT DESCRIPTION | TLA DRAWING    | PS DRAWING     | SHEET  | PART NO.    | DATASHEET REV. |
|---------------------|----------------|----------------|--------|-------------|----------------|
| CONN,RJ45,1X2,TY    | JXR8-1003NL-11 | PS-01590.001-C | 4 OF 5 | JXR8-1003NL | C              |



RECOMMENDED STENCIL DESIGN WITH THICKNESS 0.20MM  
BASE ON 1.60MM THICKNESS PCB  
(COMPONENT SIDE SHOWN)

X.XX [.XXX] = ±0.10 [±.004]

© Copyright, 2018. Pulse Electronics Corp. All rights reserved. Pulse confidential & proprietary. (11/30/18)

| PRODUCT DESCRIPTION | TLA DRAWING    | PS DRAWING     | SHEET  | PART NO.    | DATASHEET REV. |
|---------------------|----------------|----------------|--------|-------------|----------------|
| CONN,RJ45,1X2,TY    | JXR8-1003NL-11 | PS-01590.001-C | 5 OF 5 | JXR8-1003NL | C              |

# Mouser Electronics

Authorized Distributor

Click to View Pricing, Inventory, Delivery & Lifecycle Information:

Pulse:

[JXR8-1003NL](#)