



# Push-pull connectors female fixed socket CCB series



## CCB4S1/19 19 pole

- Premium range of circular connectors
- IP68 sealed using vacuum technology (when connected and using environmental cable clamp)
- Tough, high performance interconnection solution
- Compact panel mounting design
- Ideal for harsh and extreme environments
- Suitable for broadcasting, autosport, military, rail, marine, security, industrial and agricultural applications
- Key coded to prevent misconnection
- Will not disconnect when the cable is under load or stress
- Tested to IEC 60512-3-5a

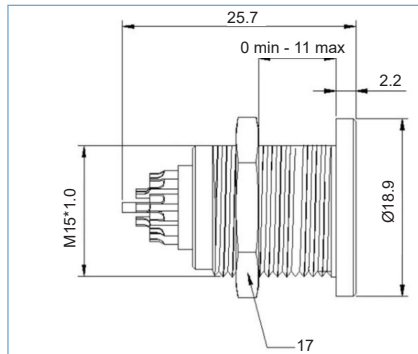
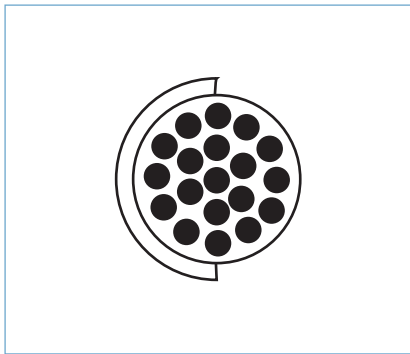
CCB4S1/19



PART NO.	DESCRIPTION	POLES	SERIES
CCB4S1/19	Female fixed socket	19	CCB series

### SPECIFICATION

Shell style/model	D type fixed socket, female contact
Codes	Code 1
Contact type	Solder type
Contact diameter	0.7mm
Max. stranded conductor	AWG 21-22
Max diameter	0.79mm
Vtest (contact-shell)	800V(AC) 1200V(DC)
Vtest (contact-contact)	1200V(AC) 1800V(DC)
Rated current	3.5A
Rated voltage	≤200V
Mechanical operation	5000 mating cycles
Housing material	Brass (natural chrome plated) shell and collet nut, nickel plated brass latch sleeve and mid pieces
Insulator	PPS
Contacts	Brass (gold plated)
Humidity (max)	≤95% [at 60°C /140°F]
Vibration	15g [10 Hz - 2000 Hz]
Shock resistance	100g [6 ms]
Salt spray corrosion	>72 hr
Climatical category	50/175/21
Shielding (min)	75 dB (10 MHz)
Shielding (min)	40 dB (1 GHz)
IP rating	IP68 (when connected and using environmental cable clamp)



## KEY FEATURES

Key coded | Panel mounting socket | Flat face | Low profile

## ACCESSORIES

Metal and rubber caps for sockets

PART NO.	DESCRIPTION
CCT41	Camcirc metal cap for sockets A4



PART NO.	DESCRIPTION
CCT42	Camcirc rubber cap for sockets A4



## ASSOCIATED PRODUCTS

CCA4P1/A19

- CCA Series A4 size plug

page 117

002

PCB TERMINAL  
BLOCKS

081

TERMINAL STRIPS

095

WIRE TO BOARD  
CONNECTORS

100

CIRCULAR  
CONNECTORS

151

IP68 CONNECTORS

158

INTERFACE  
MODULES AND  
RELAY BASES

CONNECT



FM 28614

+44 (0)1638 716101 | sales@camdenboss.com | www.camdenboss.com

We operate a constant improvement policy, our products are subject to change without notice.

Vers 1

139