

**RoHS
Compliant**



Description

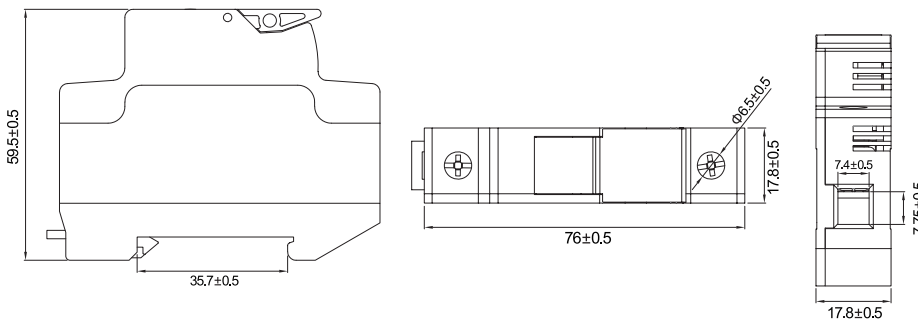
The product touch safe holder is designed for 10mm × 38mm cylindrical fuse links, especially for use with photovoltaic equipment. This holder has an indicator light. It will light up when the circuit is interrupted.

The touch safe fuse holder is designed for all standard 10mm × 38mm PV fuses. It can effectively protect 1000V DC / 1100V DC cricuits and equipment in photovoltaic applications.

Specifications

Rated	: 1000V DC, 30A / 1100V DC, 32A
Rated Breaking Capacity	: 30kA at 1000V DC / 20kA at 1100V DC
Wire Range	: 18AWG to 8AWG (1.5mm ² to 10mm ²)
Max. Torque	: 3.4N.m
Max. Heat Dissipation	: 6W
Operation Temperature	: -40°C to +130°C
Material Flammability	: UL 94 V0
Degree of protection	: IP20
Mounting	: DIN Rail mounting
Standards	: UL 4248-19; EN 60947-3
Approvals	: UL (File: E486822)

Diagram



Part Number Table

Description	Part Number
Fuse Holder for 10mm × 38mm PV Fuses, DIN Rail	MP006271

Dimensions : Millimetres

Important Notice : This data sheet and its contents (the "Information") belong to the members of the AVNET group of companies (the "Group") or are licensed to it. No licence is granted for the use of it other than for information purposes in connection with the products to which it relates. No licence of any intellectual property rights is granted. The Information is subject to change without notice and replaces all data sheets previously supplied. The Information supplied is believed to be accurate but the Group assumes no responsibility for its accuracy or completeness, any error in or omission from it or for any use made of it. Users of this data sheet should check for themselves the Information and the suitability of the products for their purpose and not make any assumptions based on information included or omitted. Liability for loss or damage resulting from any reliance on the Information or use of it (including liability resulting from negligence or where the Group was aware of the possibility of such loss or damage arising) is excluded. This will not operate to limit or restrict the Group's liability for death or personal injury resulting from its negligence. Multicomp Pro is the registered trademark of Premier Farnell Limited 2019.

Newark.com/multicomp-pro
Farnell.com/multicomp-pro
Element14.com/multicomp-pro