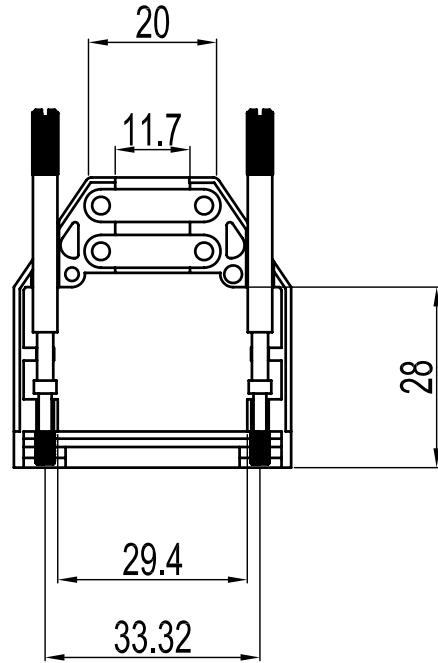
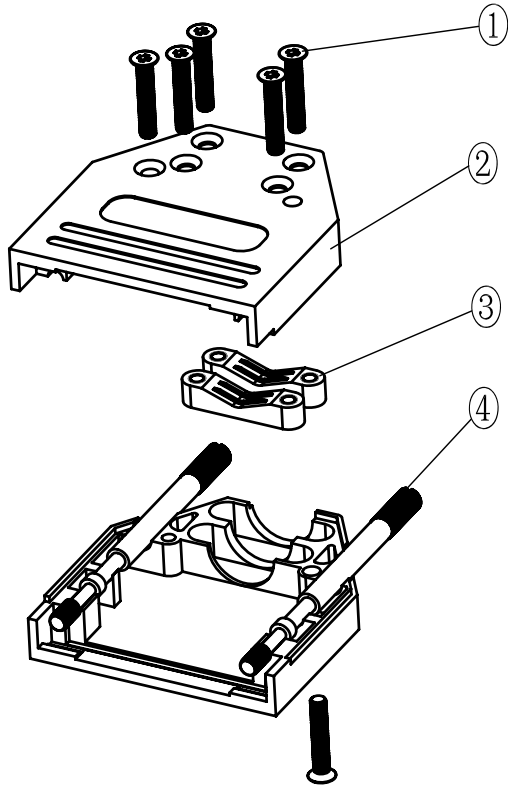
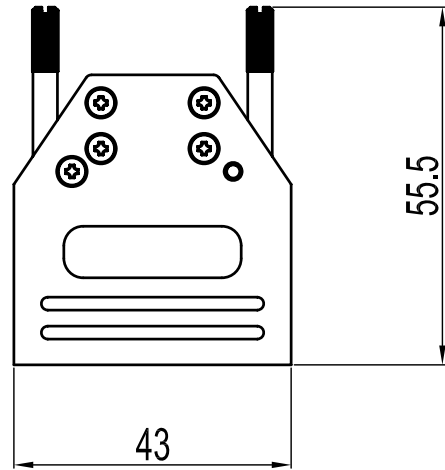
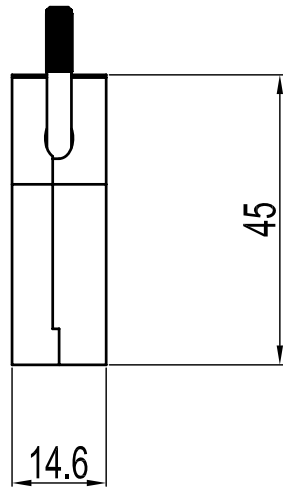


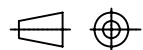
No.	Changes and/or Note	Date	Intr	No	Changes and/or Note	Date	Intr



Part Number:	Description:	Pack:	1	6	M2.5X14	Screw
6560-0305-02	MHDTZI15-K	SINGLE	2	2	MHDTZI15-Hood	Cover
6561-0305-02	MHDTZI15	BULK	3	2	MHDTZI15-Clamp	Cable Clamp
			4	2	UNC 4-40X55	Jack screw
			Item	QTY	Part Number	Description
DATE: 2008-09-16	DRAWN: MRR	SCALE:	MATERIAL TYPE:			
	APPROVED:		REPLACES:			



MHDTZI-SERIES



DRAWING No: 6688-9602