

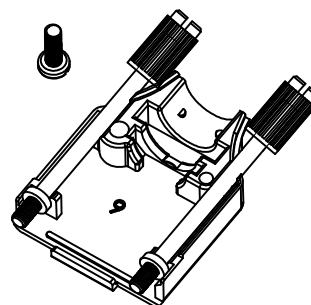
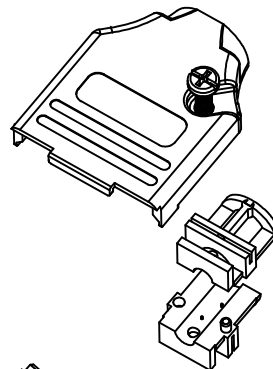
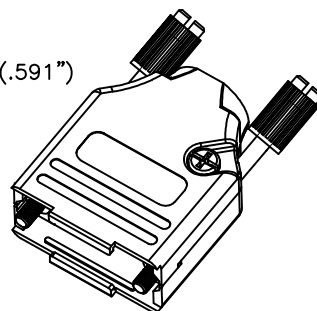
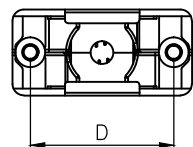
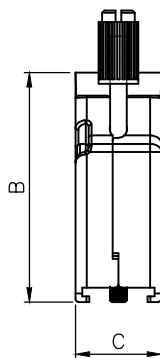
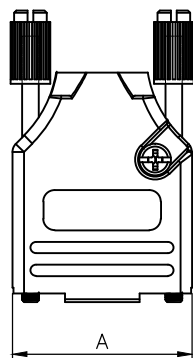
THIS IS A C.A.D. GENERATED DRAWING
DO NOT MAKE MANUAL REVISIONS TO MASTER.



* UNLESS OTHERWISE SPECIFIED TOLERANCES
ON DECIMAL IS: ANGLE $\pm 1^\circ$
UNIT: MM .XX ± 0.05

BACKSHELL KIT INCLUDES:

- (2)BACKSHELL HALVES
- (2)4-40 THUMBSCREWS
- (2)HOUSING SCREWS
- (1)SET OF COMPRESSION INSERTS-VARIOUS SIZES FOR 9-37
DIAMETERS 4mm(.157"), 5mm(.167"), 7mm(.276"), 9mm(.354")
- (1)SET OF COMPRESSION INSERTS-VARIOUS SIZES FOR 50
DIAMETERS 11mm(.433"), 12.5mm(.492"), 14mm(.551"), 15mm(.591")



| DIMENSIONS(mm/in) | | | | |
|-------------------|--------------|--------------|--------------|--------------|
| SIZE | A ± 0.02 | B ± 0.02 | C ± 0.02 | D ± 0.01 |
| 9 | 31.20 | 39.90 | 15.00 | 24.99 |
| | 1.228 | 1.571 | 0.591 | 0.984 |
| 15 | 39.50 | 41.50 | 15.00 | 33.32 |
| | 1.555 | 1.634 | 0.591 | 1.312 |
| 25 | 53.40 | 48.60 | 15.00 | 47.04 |
| | 2.102 | 1.913 | 0.591 | 1.852 |
| 37 | 69.70 | 53.60 | 15.00 | 63.50 |
| | 2.744 | 2.110 | 0.591 | 2.500 |
| 50 | 67.50 | 54.00 | 18.70 | 61.00 |
| | 2.657 | 2.126 | 0.736 | 2.402 |

ORDERING INFORMATON:

| SIZE | P/N - KITTED | PRODUCT CODE |
|--------|--------------|-------------------|
| 9-WAY | 6560-3105-01 | MHDTZK-09-RA-PC-K |
| 15-WAY | 6560-3105-02 | MHDTZK-15-RA-PC-K |
| 25-WAY | 6560-3105-03 | MHDTZK-25-RA-PC-K |
| 37-WAY | 6560-3105-04 | MHDTZK-37-RA-PC-K |
| 50-WAY | 6560-3105-05 | MHDTZK-50-RA-PC-K |

| SIZE | P/N - BULK | PRODUCT CODE |
|--------|--------------|-----------------|
| 9-WAY | 6561-3105-01 | MHDTZK-09-RA-PC |
| 15-WAY | 6561-3105-02 | MHDTZK-15-RA-PC |
| 25-WAY | 6561-3105-03 | MHDTZK-25-RA-PC |
| 37-WAY | 6561-3105-04 | MHDTZK-37-RA-PC |
| 50-WAY | 6561-3105-05 | MHDTZK-50-RA-PC |

BACKSHELL MATERIAL: DIE-CAST ZINC ALLOY
PLATING: NICKEL
JACKSCREWS: STEEL:ZN PLATED WITH PLASTIC KNOB
M3 HOODSCREWS: STEEL:ZN PLATED
COMPRESSION INSERT: ABS,UL RECOGNIZED
OPERATING TEMP: -40°C TO+120°C

THESE DRAWINGS AND SPECIFICATIONS ARE THE PROPERTY OF MH CONNECTORS AND SHALL NOT BE REPRODUCED, COPIED OR USED AS THE BASIS FOR THE MANUFACTURE OR SALE OF APPARATUS WITHOUT WRITTEN PERMISSION.

| | |
|------------------------|------------------|
| DRAWN Johnny | DATE 11-24-15 |
| APPROVED Victor Lin | DATE 11-24-15 |



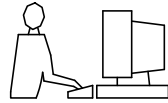
THIS SERIES FULLY CONFORMS TO THE EUROPEAN UNION DIRECTIVES 2002/95/EC AND 2002/96/EC FOR RoHS COMPLIANCY.



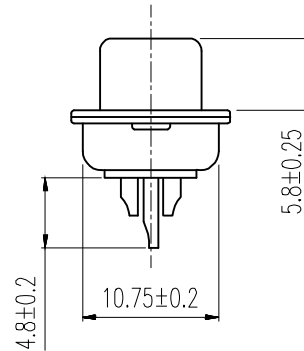
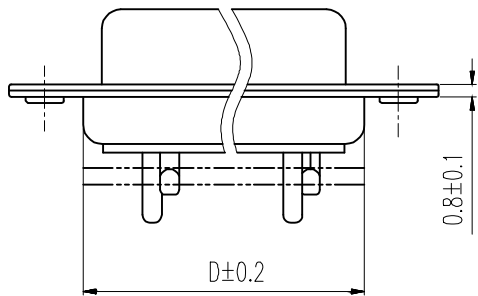
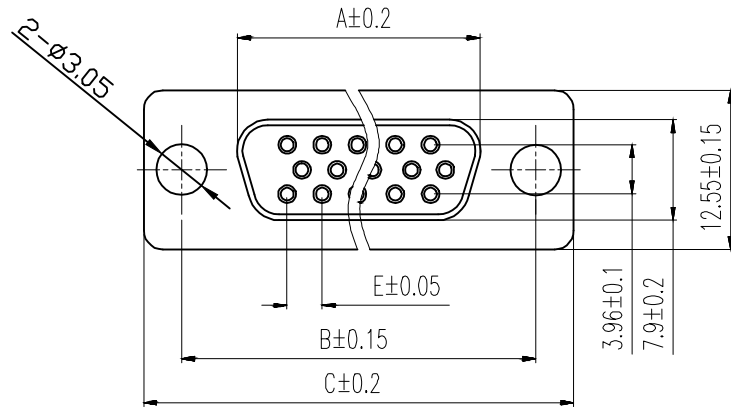
**MH CONNECTORS ,
DIVISION OF EDAC**

| | | |
|----------------------------|--------------------|-------------|
| SCALE 1 : 1 | SHEET OF 1 OF 1 | REV: 7.0 |
| DRAWING No MHDTZK-RA-PC | | |

THIS IS A C.A.D. GENERATED DRAWING
DO NOT MAKE MANUAL REVISIONS TO MASTER.



* UNLESS OTHERWISE SPECIFIED TOLERANCES
ON DECIMAL IS: ANGLE $\pm 1^\circ$
.X ± 0.20
.XX ± 0.15
.XXX ± 0.05



Order Codes:

Socket Connector

Stamped & Formed

| | |
|--------|------------------|
| 15-WAY | MHHDS-15-F-N-B-S |
| 26-WAY | MHHDS-26-F-N-B-S |
| 44-WAY | MHHDS-44-F-N-B-S |
| 62-WAY | MHHDS-62-F-N-B-S |

| POS. | A | B | C | D | E |
|------|-------|-------|-------|-------|------|
| 15 | 16.33 | 24.99 | 30.80 | 19.28 | 2.29 |
| 26 | 24.85 | 33.32 | 39.10 | 27.75 | 2.29 |
| 44 | 38.38 | 47.04 | 53.00 | 41.30 | 2.29 |
| 62 | 54.86 | 63.50 | 69.30 | 57.40 | 2.41 |

Remark:

1.MATERIAL:

Plastic:PBT+30% G.F (UL94V-0) BLACK

Spcc shell:Spcc front shell is nickel plated back shell is nickel plated

THESE DRAWINGS AND SPECIFICATIONS ARE THE PROPERTY OF MH CONNECTORS AND SHALL NOT BE REPRODUCED, COPIED OR USED AS THE BASIS FOR THE MANUFACTURE OR SALE OF APPARATUS WITHOUT WRITTEN PERMISSION.

DRAWN
IVEN Ou
DATE
08-18-22

APPROVED
DATE

SCALE
1 : 1
SHEET OF
1 OF 1
REV:
2.0

DRAWING No
MHHDS-XX-F-N-B-S



THIS SERIES FULLY CONFORMS TO THE EUROPEAN UNION DIRECTIVES 2002/95/EC AND 2002/96/EC FOR RoHS COMPLIANCY.



MH CONNECTORS,
DIVISION OF EDAC