

5

4

3

2

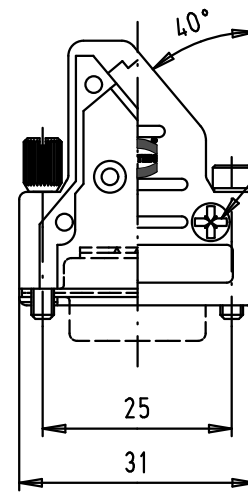
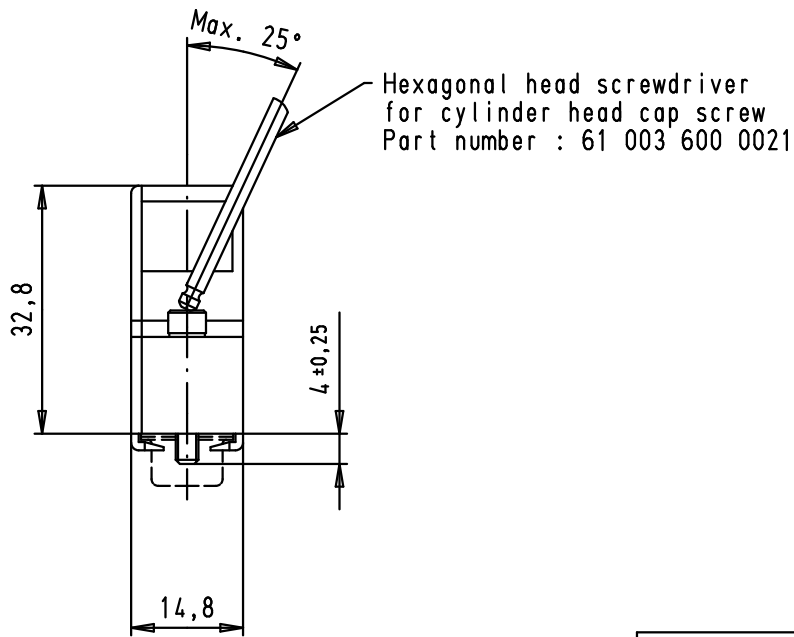
1

D

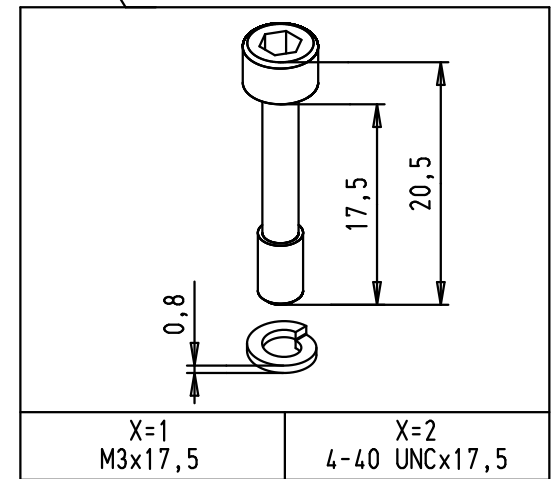
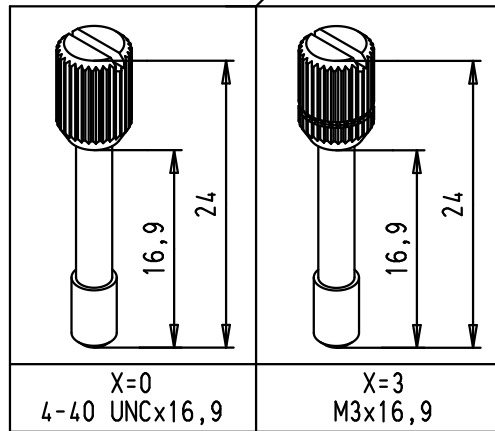
C

B

A



Cover screws (x3)  
M2,5x6,5  
Type Z posidriv  
Screwdriver head #1



NOTA : Full metal hood made  
with zinc diecast

61 03 001 X013

61 03 001 3013

61 03 001 0013

61 03 001 2013

61 03 001 1013

Part number

Knurled thumb screw

Cylinder socket head cap screw  
with spring washer [2,6 DIN 127B]

Screw type

M3 x 16,9

4-40 UNC x 16,9

4-40 UNC x 17,5

M3 x 17,5

screw size

Mod.

Dot.

Name

Dot.

Name

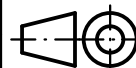
Detail.

Insp.

Stand.

14/08/03 STRAUCH

HARTING Electronics GmbH & Co. KG  
D-32339 ESPELKAMP



All Dim. in mm  
Orig. Size DIN A 4



INDUCOM - 9 poles, full metal hood  
for D-Sub, angled cable entry

TB 61 03 001 X013

Sub.

Maßstab/  
Scale

1:1

Blatt/ Page

1 / 1