

# High Voltage, 3A, 500kHz Step-Down Switching Regulator

## FEATURES

- **Wide Input Range: 5.5V to 60V**
- **3A Peak Switch Current**
- **Small Thermally Enhanced 16-Pin TSSOP Package**
- **Constant 500kHz Switching Frequency**
- **Saturating Switch Design: 0.1Ω**
- **Peak Switch Current Maintained Over Full Duty Cycle Range**
- Effective Supply Current: 2.5mA
- Shutdown Current: 30μA
- 1.2V Feedback Reference Voltage
- Easily Synchronizable
- Cycle-by-Cycle Current Limiting

## APPLICATIONS

- Industrial and Automotive Power Supplies
- Portable Computers
- Battery Chargers
- Distributed Power Systems

## DESCRIPTION

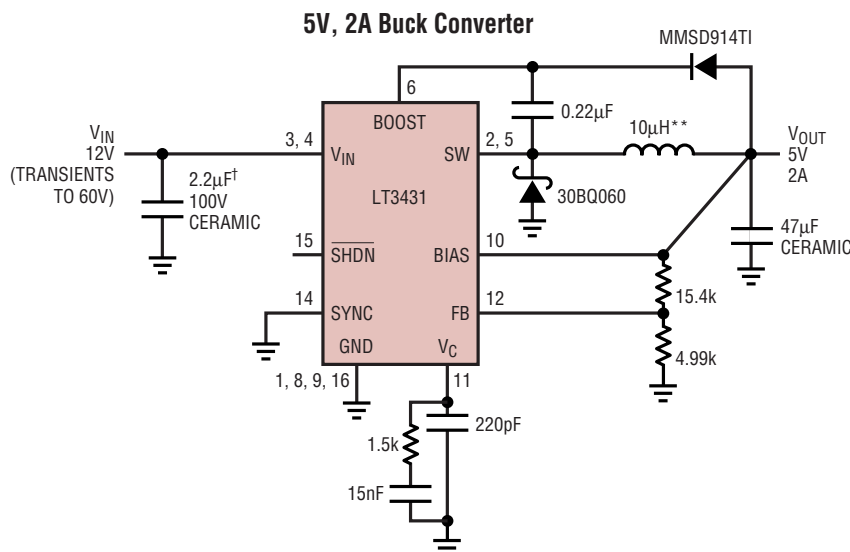
The LT<sup>®</sup>3431 is a 500kHz monolithic buck switching regulator that accepts input voltages up to 60V. A high efficiency 3A, 0.1Ω switch is included on the die along with all the necessary oscillator, control and logic circuitry. A current mode architecture provides fast transient response and good loop stability.

Special design techniques and a new high voltage process achieve high efficiency over a wide input range. Efficiency is maintained over a wide output current range by using the output to bias the circuitry and by utilizing a supply boost capacitor to saturate the power switch. Patented circuitry maintains peak switch current over the full duty cycle range. A shutdown pin reduces supply current to 30μA and the device can be externally synchronized from 580kHz to 700kHz with logic level inputs.

The LT3431 is available in a thermally enhanced 16-pin TSSOP package.

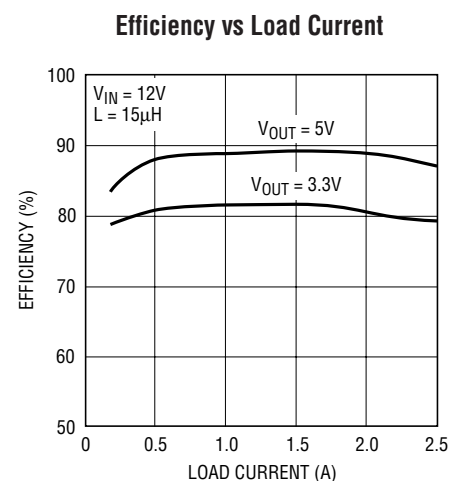
LT, LTC and LT are registered trademarks of Linear Technology Corporation.

## TYPICAL APPLICATION



\*\* INCREASE INDUCTOR VALUE FOR LOAD CURRENTS ABOVE 2A  
 (SEE APPLICATIONS INFORMATION—MAXIMUM OUTPUT LOAD CURRENT)  
 † UNITED CHEMI-CON THCS50EZA225ZT

3431 TA01



3431 TA02

sn3431 3431fs

## ABSOLUTE MAXIMUM RATINGS

(Note 1)

Input Voltage ( $V_{IN}$ ) .....	60V
BOOST Pin Above SW .....	35V
BOOST Pin Voltage .....	68V
SYNC Voltage .....	7V
SHDN Voltage .....	6V
BIAS Pin Voltage .....	30V
FB Pin Voltage/Current .....	3.5V/2mA
Operating Junction Temperature Range	
LT3431EFE (Notes 8, 10) .....	-40°C to 125°C
LT3431IFE (Notes 8, 10) .....	-40°C to 125°C
Storage Temperature Range .....	-65°C to 150°C
Lead Temperature (Soldering, 10 sec).....	300°C

## PACKAGE/ORDER INFORMATION

<p>FE PACKAGE 16-LEAD PLASTIC TSSOP <math>T_{JMAX} = 125^{\circ}\text{C}</math>, <math>\theta_{JA} = 45^{\circ}\text{C/W}</math>, <math>\theta_{JC}(\text{PAD}) = 10^{\circ}\text{C/W}</math> EXPOSED PAD MUST BE SOLDERED TO GROUND PLANE</p>	ORDER PART NUMBER
	LT3431EFE LT3431IFE
	FE PART MARKING
	3431EFE 3431IFE

Consult LTC Marketing for parts specified with wider operating temperature ranges.

## ELECTRICAL CHARACTERISTICS

The ● denotes specifications which apply over the full operating temperature range, otherwise specifications are at  $T_J = 25^{\circ}\text{C}$ .  
 $V_{IN} = 15\text{V}$ ,  $V_C = 1.5\text{V}$ ,  $\overline{\text{SHDN}} = 1\text{V}$ , BOOST open circuit, SW open circuit, unless otherwise noted.

PARAMETER	CONDITIONS	MIN	TYP	MAX	UNITS	
Reference Voltage ( $V_{REF}$ )	$5.5\text{V} \leq V_{IN} \leq 60\text{V}$ $V_{OL} + 0.2 \leq V_C \leq V_{OH} - 0.2$	●	1.204	1.219	1.234	V
			1.195		1.243	V
FB Input Bias Current		●	-0.2	-1.5	$\mu\text{A}$	
Error Amp Voltage Gain	(Note 2)		200	475	V/V	
Error Amp $g_m$	$dI(V_C) = \pm 10\mu\text{A}$	●	1650	2200	3300	$\mu\text{Mho}$
			1000		4200	$\mu\text{Mho}$
$V_C$ to Switch $g_m$			3.4		A/V	
EA Source Current	FB = 1V or $V_{SENSE} = 4.1\text{V}$	●	125	275	450	$\mu\text{A}$
EA Sink Current	FB = 1.4V or $V_{SENSE} = 5.7\text{V}$	●	100	275	500	$\mu\text{A}$
$V_C$ Switching Threshold	Duty Cycle = 0		0.8		V	
$V_C$ High Clamp	$\overline{\text{SHDN}} = 1\text{V}$		2.1		V	
Switch Current Limit	$V_C$ Open, BOOST = $V_{IN} + 5\text{V}$ , FB = 1V or $V_{SENSE} = 4.1\text{V}$ (Note 9)		3.0	5	6.5	A
			2.5	4	5.5	A
Switch On Resistance	$I_{SW} = 2.5\text{A}$ , BOOST = $V_{IN} + 5\text{V}$ (Note 7)	●		0.1	0.14	$\Omega$
					0.18	$\Omega$
Maximum Switch Duty Cycle	FB = 1V or $V_{SENSE} = 4.1\text{V}$	●	88	92		%
			80			%
Switch Frequency	$V_C$ Set to Give DC = 50%	●	460	500	540	kHz
			430	500	570	kHz
$f_{SW}$ Line Regulation	$5.5\text{V} \leq V_{IN} \leq 60\text{V}$	●	0.05	0.15	%/V	
$f_{SW}$ Shifting Threshold	Df = 10kHz		0.8		V	

## ELECTRICAL CHARACTERISTICS

The ● denotes specifications which apply over the full operating temperature range, otherwise specifications are at  $T_J = 25^\circ\text{C}$ .  $V_{IN} = 15\text{V}$ ,  $V_C = 1.5\text{V}$ ,  $\overline{\text{SHDN}} = 1\text{V}$ , BOOST open circuit, SW open circuit, unless otherwise noted.

PARAMETER	CONDITIONS		MIN	TYP	MAX	UNITS
Minimum Input Voltage	(Note 3)	●	4.6	5.5		V
Minimum Boost Voltage	(Note 4) $I_{SW} \leq 2.5\text{A}$	●	1.8	3		V
Boost Current (Note 5)	BOOST = $V_{IN} + 5\text{V}$ , $I_{SW} = 0.75\text{A}$	●		25	50	mA
	BOOST = $V_{IN} + 5\text{V}$ , $I_{SW} = 2.5\text{A}$	●		75	120	mA
Input Supply Current ( $I_{VIN}$ )	(Note 6) $V_{BIAS} = 5\text{V}$		1.5	2.2		mA
Bias Supply Current ( $I_{BIAS}$ )	(Note 6) $V_{BIAS} = 5\text{V}$		3.1	4.2		mA
Shutdown Supply Current	$\overline{\text{SHDN}} = 0\text{V}$ , $V_{IN} \leq 60\text{V}$ , SW = 0V, $V_C$ Open	●		30	100 200	$\mu\text{A}$ $\mu\text{A}$
Lockout Threshold	$V_C$ Open,	●	2.30	2.42	2.53	V
Shutdown Thresholds	$V_C$ Open, Shutting Down	●	0.15	0.37	0.58	V
	$V_C$ Open, Starting Up	●	0.25	0.42	0.6	V
Minimum SYNC Amplitude		●		1.5	2.2	V
SYNC Frequency Range			580		700	kHz
SYNC Input Resistance				20		k $\Omega$

**Note 1:** Absolute Maximum Ratings are those values beyond which the life of a device may be impaired.

**Note 2:** Gain is measured with a  $V_C$  swing equal to 200mV above the low clamp level to 200mV below the upper clamp level.

**Note 3:** Minimum input voltage is not measured directly, but is guaranteed by other tests. It is defined as the voltage where internal bias lines are still regulated so that the reference voltage and oscillator remain constant. Actual minimum input voltage to maintain a regulated output will depend upon output voltage and load current. See Applications Information.

**Note 4:** This is the minimum voltage across the boost capacitor needed to guarantee full saturation of the internal power switch.

**Note 5:** Boost current is the current flowing into the BOOST pin with the pin held 5V above input voltage. It flows only during switch on time.

**Note 6:** Input supply current is the quiescent current drawn by the input pin when the BIAS pin is held at 5V with switching disabled. Bias supply current is the current drawn by the BIAS pin when the BIAS pin is held at 5V. Total input referred supply current is calculated by summing input supply current ( $I_{VIN}$ ) with a fraction of bias supply current ( $I_{BIAS}$ ):

$$I_{TOTAL} = I_{VIN} + (I_{BIAS})(V_{OUT}/V_{IN})$$

With  $V_{IN} = 15\text{V}$ ,  $V_{OUT} = 5\text{V}$ ,  $I_{VIN} = 1.5\text{mA}$ ,  $I_{BIAS} = 3.1\text{mA}$ ,  $I_{TOTAL} = 2.5\text{mA}$ .

**Note 7:** Switch on resistance is calculated by dividing  $V_{IN}$  to SW voltage by the forced current (3A). See Typical Performance Characteristics for the graph of switch voltage at other currents.

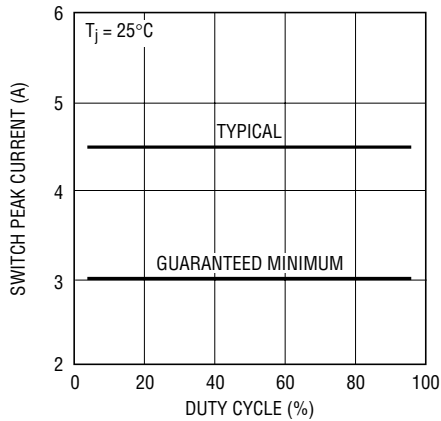
**Note 8:** The LT3431EFE is guaranteed to meet performance specifications from  $0^\circ\text{C}$  to  $125^\circ\text{C}$  junction temperature. Specifications over the  $-40^\circ\text{C}$  to  $125^\circ\text{C}$  operating junction temperature range are assured by design, characterization and correlation with statistical process controls. The LT3431IFE is guaranteed over the full  $-40^\circ\text{C}$  to  $125^\circ\text{C}$  operating junction temperature range.

**Note 9:** See Typical Performance Graph of Peak Switch Current Limit vs Junction Temperature.

**Note 10:** This IC includes overtemperature protection that is intended to protect the device during momentary overload conditions. Junction temperature will exceed  $125^\circ\text{C}$  when overtemperature protection is active. Continuous operation above the specified maximum operating junction temperature may impair device reliability.

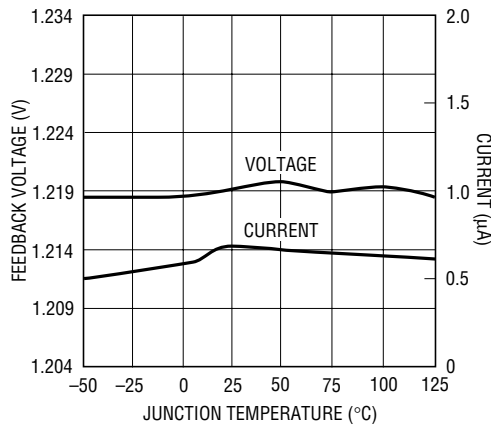
# TYPICAL PERFORMANCE CHARACTERISTICS

**Switch Peak Current Limit**



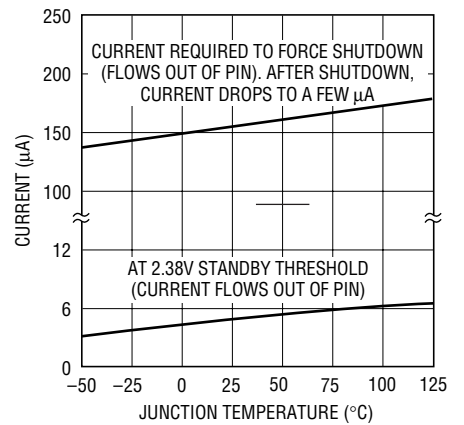
3431 G01

**FB Pin Voltage and Current**



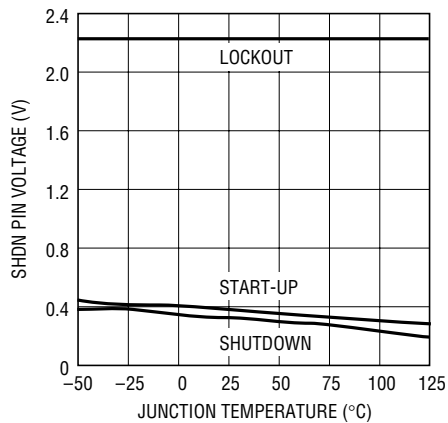
3431 G02

**SHDN Pin Bias Current**



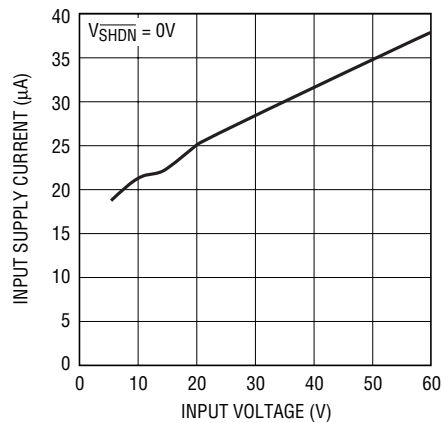
3431 G03

**Lockout and Shutdown Thresholds**



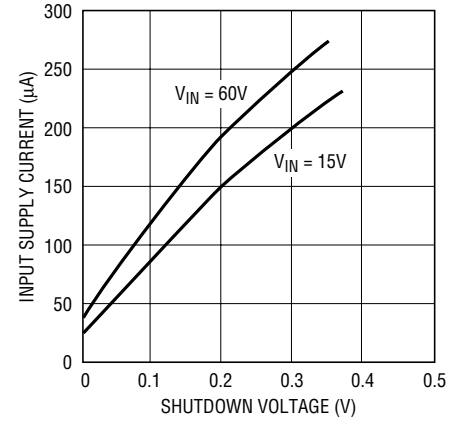
3431 G04

**Shutdown Supply Current**



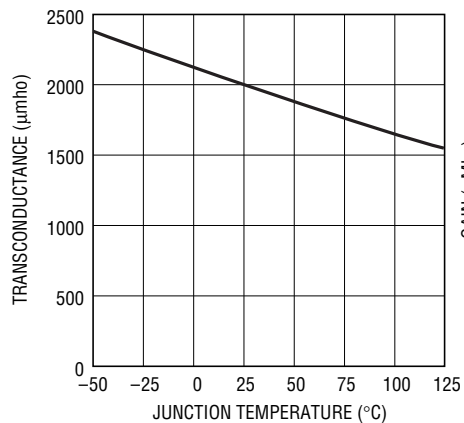
3431 G05

**Shutdown Supply Current**



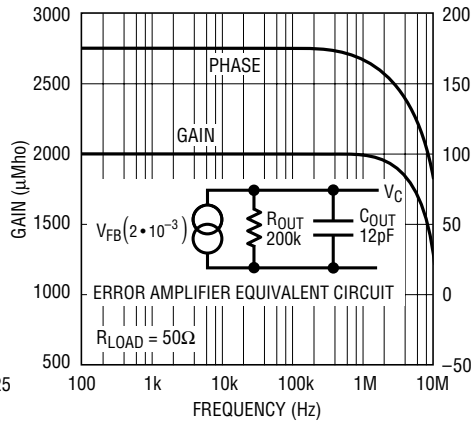
3431 G06

**Error Amplifier Transconductance**



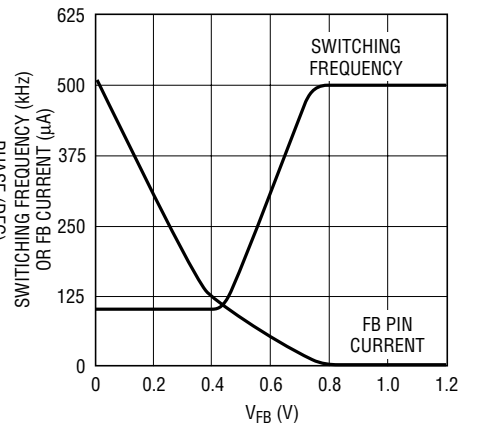
3431 G07

**Error Amplifier Transconductance**



3431 G08

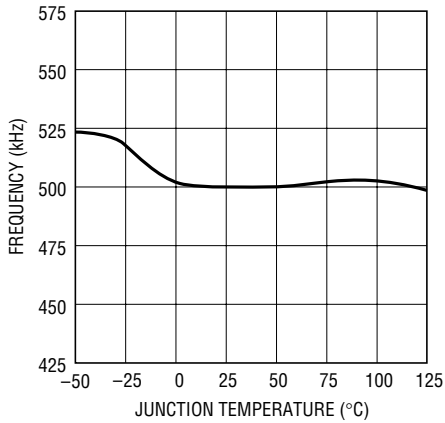
**Frequency Foldback**



3431 G09

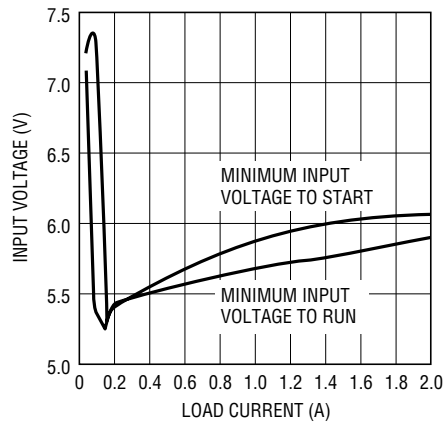
# TYPICAL PERFORMANCE CHARACTERISTICS

**Switching Frequency**



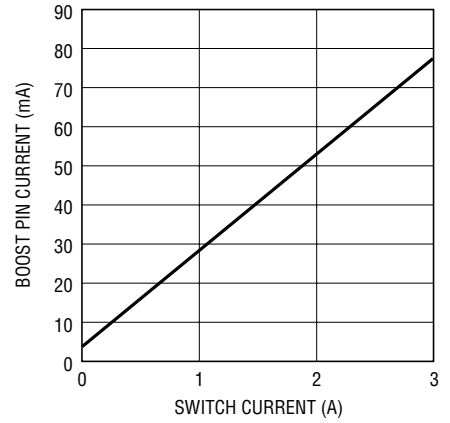
3431 G10

**Minimum Input Voltage with 5V Output**



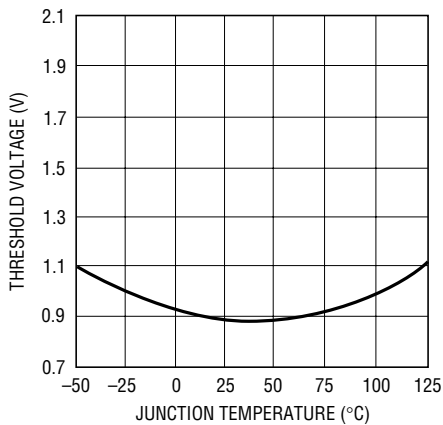
3431 G11

**BOOST Pin Current**



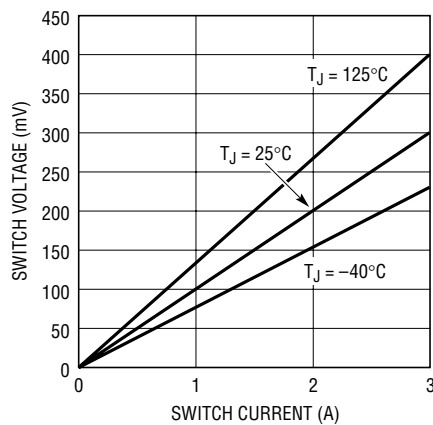
3431 G12

**V<sub>C</sub> Pin Shutdown Threshold**



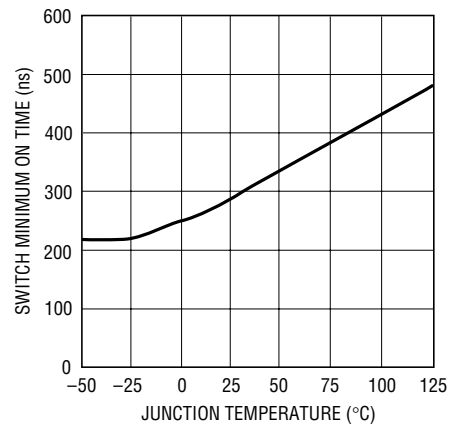
3431 G13

**Switch Voltage Drop**



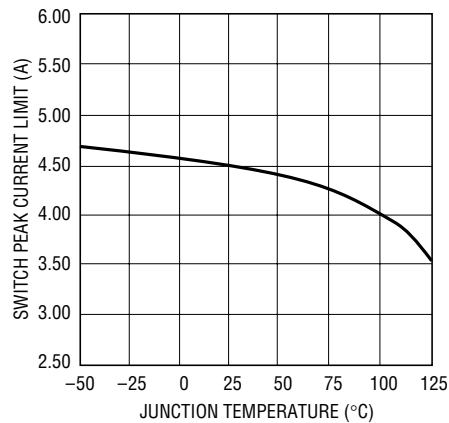
3431 G14

**Switch Minimum ON Time vs Temperature**



3431 G15

**Switch Peak Current Limit**



3431 G16

## PIN FUNCTIONS

**GND (Pins 1, 8, 9, 16):** The GND pin connections act as the reference for the regulated output, so load regulation will suffer if the “ground” end of the load is not at the same voltage as the GND pins of the IC. This condition will occur when load current or other currents flow through metal paths between the GND pins and the load ground. Keep the paths between the GND pins and the load ground short and use a ground plane when possible. The FE package has an exposed pad that is fused to the GND pins. The pad should be soldered to the copper ground plane under the device to reduce thermal resistance. (See Applications Information—Layout Considerations.)

**SW (Pins 2, 5):** The switch pin is the emitter of the on-chip power NPN switch. This pin is driven up to the input pin voltage during switch on time. Inductor current drives the switch pin voltage negative during switch off time. Negative voltage is clamped with the external catch diode. Maximum negative switch voltage allowed is  $-0.8V$ .

**$V_{IN}$  (Pins 3, 4):** This is the collector of the on-chip power NPN switch.  $V_{IN}$  powers the internal control circuitry when a voltage on the BIAS pin is not present. High  $di/dt$  edges occur on this pin during switch turn on and off. Keep the path short from the  $V_{IN}$  pin through the input bypass capacitor, through the catch diode back to SW. All trace inductance in this path creates voltage spikes at switch off, adding to the  $V_{CE}$  voltage across the internal NPN.

**BOOST (Pin 6):** The BOOST pin is used to provide a drive voltage, higher than the input voltage, to the internal bipolar NPN power switch. Without this added voltage, the typical switch voltage loss would be about 1.5V. The additional BOOST voltage allows the switch to saturate and voltage loss approximates that of a  $0.1\Omega$  FET structure.

**NC (Pins 7, 13):** No Connection.

**BIAS (Pin 10):** The BIAS pin is used to improve efficiency when operating at higher input voltages and light load current. Connecting this pin to the regulated output voltage forces most of the internal circuitry to draw its operating current from the output voltage rather than the input

supply. This architecture increases efficiency especially when the input voltage is much higher than the output. Minimum output voltage setting for this mode of operation is 3V.

**$V_C$  (Pin 11)** The  $V_C$  pin is the output of the error amplifier and the input of the peak switch current comparator. It is normally used for frequency compensation, but can also serve as a current clamp or control loop override.  $V_C$  sits at about 0.9V for light loads and 2.1V at maximum load. It can be driven to ground to shut off the regulator, but if driven high, current must be limited to 4mA.

**FB (Pin 12):** The feedback pin is used to set the output voltage using an external voltage divider that generates 1.22V at the pin for the desired output voltage. Three additional functions are performed by the FB pin. When the pin voltage drops below 0.6V, switch current limit is reduced and the external SYNC function is disabled. Below 0.8V, switching frequency is also reduced. See Feedback Pin Functions in Applications Information for details.

**SYNC (Pin 14):** The SYNC pin is used to synchronize the internal oscillator to an external signal. It is directly logic compatible and can be driven with any signal between 10% and 90% duty cycle. The synchronizing range is equal to initial operating frequency up to 700kHz. See Synchronizing in Applications Information for details.

**$\overline{SHDN}$  (Pin 15):** The  $\overline{SHDN}$  pin is used to turn off the regulator and to reduce input drain current to a few microamperes. This pin has two thresholds: one at 2.38V to disable switching and a second at 0.4V to force complete micropower shutdown. The 2.38V threshold functions as an accurate undervoltage lockout (UVLO); sometimes used to prevent the regulator from delivering power until the input voltage has reached a predetermined level.

If the  $\overline{SHDN}$  pin functions are not required, the pin can either be left open (to allow an internal bias current to lift the pin to a default high state) or be forced high to a level not to exceed 6V.

## BLOCK DIAGRAM

The LT3431 is a constant frequency, current mode buck converter. This means that there is an internal clock and two feedback loops that control the duty cycle of the power switch. In addition to the normal error amplifier, there is a current sense amplifier that monitors switch current on a cycle-by-cycle basis. A switch cycle starts with an oscillator pulse which sets the  $R_S$  flip-flop to turn the switch on. When switch current reaches a level set by the inverting input of the comparator, the flip-flop is reset and the switch turns off. Output voltage control is obtained by using the output of the error amplifier to set the switch current trip point. This technique means that the error amplifier commands current to be delivered to the output rather than voltage. A voltage fed system will have low phase shift up to the resonant frequency of the inductor and output capacitor, then an abrupt  $180^\circ$  shift will occur. The current fed system will have  $90^\circ$  phase shift at a much lower frequency, but will not have the additional  $90^\circ$  shift until well beyond the LC resonant frequency. This makes

it much easier to frequency compensate the feedback loop and also gives much quicker transient response.

Most of the circuitry of the LT3431 operates from an internal 2.9V bias line. The bias regulator normally draws power from the regulator input pin, but if the BIAS pin is connected to an external voltage equal to or higher than 3V, bias power will be drawn from the external source (typically the regulated output voltage). This will improve efficiency if the BIAS pin voltage is lower than regulator input voltage.

High switch efficiency is attained by using the BOOST pin to provide a voltage to the switch driver which is higher than the input voltage, allowing switch to be saturated. This boosted voltage is generated with an external capacitor and diode. Two comparators are connected to the shutdown pin. One has a 2.38V threshold for under-voltage lockout and the second has a 0.4V threshold for complete shutdown.

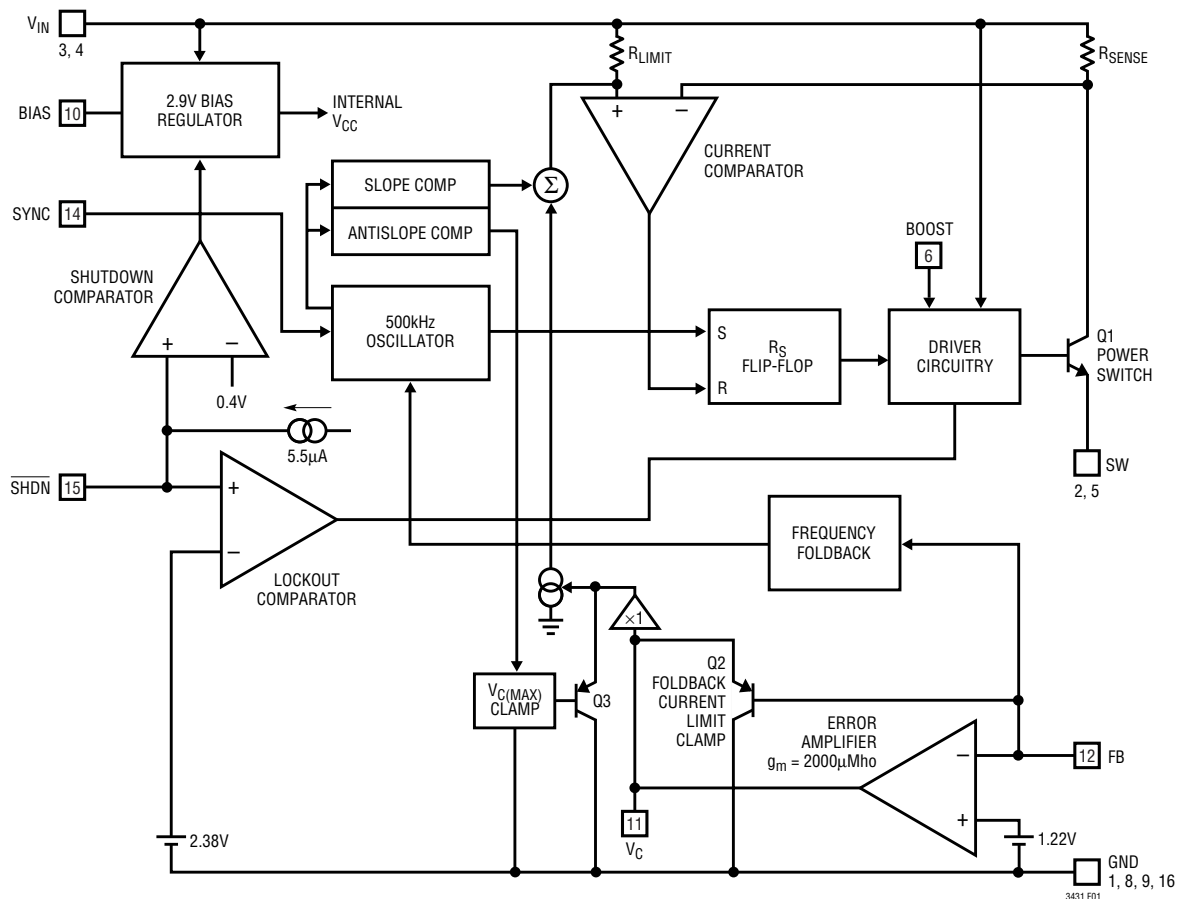


Figure 1. LT3431 Block Diagram

## APPLICATIONS INFORMATION

### FEEDBACK PIN FUNCTIONS

The feedback (FB) pin on the LT3431 is used to set output voltage and provide several overload protection features. The first part of this section deals with selecting resistors to set output voltage and the second part talks about foldback frequency and current limiting created by the FB pin. Please read both parts before committing to a final design.

The suggested value for the output divider resistor (see Figure 2) from FB to ground (R2) is 5k or less, and a formula for R1 is shown below. The output voltage error caused by ignoring the input bias current on the FB pin is less than 0.25% with R2 = 5k. A table of standard 1% values is shown in Table 1 for common output voltages. Please read the following if divider resistors are increased above the suggested values.

$$R1 = \frac{R2(V_{OUT} - 1.22)}{1.22}$$

Table 1

OUTPUT VOLTAGE (V)	R2 (kΩ)	R1 (NEAREST 1%) (kΩ)	% ERROR AT OUTPUT DUE TO DISCREET 1% RESISTOR STEPS
3	4.99	7.32	+0.32
3.3	4.99	8.45	-0.43
5	4.99	15.4	-0.30
6	4.75	18.7	+0.40
8	4.47	24.9	+0.20
10	4.32	30.9	-0.54
12	4.12	36.5	+0.24
15	4.12	46.4	-0.27

### More Than Just Voltage Feedback

The feedback pin is used for more than just output voltage sensing. It also reduces switching frequency and current limit when output voltage is very low (see the Frequency Foldback graph in Typical Performance Characteristics). This is done to control power dissipation in both the IC and in the external diode and inductor during short-circuit conditions. A shorted output requires the switching regulator to operate at very low duty cycles, and the average current through the diode and inductor is equal to the

short-circuit current limit of the switch (typically 4A for the LT3431, folding back to less than 2A). Minimum switch on time limitations would prevent the switcher from attaining a sufficiently low duty cycle if switching frequency were maintained at 500kHz, so frequency is reduced by about 5:1 when the feedback pin voltage drops below 0.8V (see Frequency Foldback graph). This does not affect operation with normal load conditions; one simply sees a gear shift in switching frequency during start-up as the output voltage rises.

In addition to lower switching frequency, the LT3431 also operates at lower switch current limit when the feedback pin voltage drops below 0.6V. Q2 in Figure 2 performs this function by clamping the V<sub>C</sub> pin to a voltage less than its normal 2.1V upper clamp level. This *foldback current limit* greatly reduces power dissipation in the IC, diode and inductor during short-circuit conditions. External synchronization is also disabled to prevent interference with foldback operation. Again, it is nearly transparent to the user under normal load conditions. The only loads that may be affected are current source loads which maintain full load current with output voltage less than 50% of final value. In these rare situations the feedback pin can be clamped above 0.6V with an external diode to defeat foldback current limit. *Caution:* clamping the feedback pin means that frequency shifting will also be defeated, so a combination of high input voltage and dead shorted output may cause the LT3431 to lose control of current limit.

The internal circuitry which forces reduced switching frequency also causes current to flow out of the feedback pin when output voltage is low. The equivalent circuitry is shown in Figure 2. Q1 is completely off during normal operation. If the FB pin falls below 0.8V, Q1 begins to conduct current and reduces frequency at the rate of approximately 3.5kHz/μA. To ensure adequate frequency foldback (under worst-case short-circuit conditions), the external divider Thevinin resistance must be low enough to pull 115μA out of the FB pin with 0.44V on the pin (R<sub>DIV</sub> ≤ 3.8k). *The net result is that reductions in frequency and current limit are affected by output voltage divider impedance. Although divider impedance is not critical, caution should be used if resistors are increased beyond the suggested values and short-circuit conditions can possibly occur with high input voltage.* High frequency pickup

sn3431 3431fs



## APPLICATIONS INFORMATION

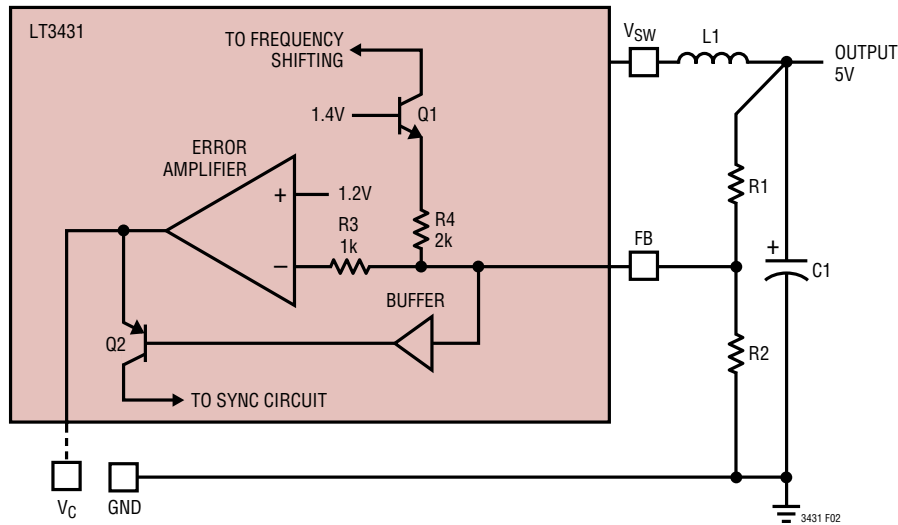


Figure 2. Frequency and Current Limit Foldback

will increase and the protection accorded by frequency and current foldback will decrease.

### CHOOSING THE INDUCTOR

For most applications, the output inductor will fall into the range of 5 $\mu$ H to 33 $\mu$ H. Lower values are chosen to reduce physical size of the inductor. Higher values allow more output current because they reduce peak current seen by the LT3431 switch, which has a 3A limit. Higher values also reduce output ripple voltage.

When choosing an inductor you will need to consider output ripple voltage, maximum load current, peak inductor current and fault current in the inductor. In addition, other factors such as core and copper losses, allowable component height, EMI, saturation and cost should also be considered. The following procedure is suggested as a way of handling these somewhat complicated and conflicting requirements.

### Output Ripple Voltage

Figure 3 shows a comparison of output ripple voltage for the LT3431 using either a tantalum or ceramic output capacitor. It can be seen from Figure 3 that output ripple voltage can be significantly reduced by using the ceramic output capacitor; the significant decrease in output ripple voltage is due to the very low ESR of ceramic capacitors.

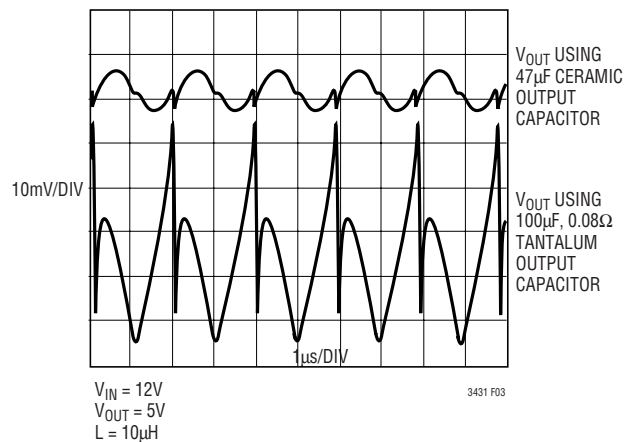


Figure 3. LT3431 Output Ripple Voltage Waveforms. Ceramic vs Tantalum Output Capacitors

Output ripple voltage is determined by ripple current ( $I_{LP-P}$ ) through the inductor and the high frequency impedance of the output capacitor. At high frequencies, the impedance of the tantalum capacitor is dominated by its effective series resistance (ESR).

### Tantalum Output Capacitor

The typical method for reducing output ripple voltage when using a tantalum output capacitor is to increase the inductor value (to reduce the ripple current in the inductor). The following equations will help in choosing the required inductor value to achieve a desirable output ripple voltage level. If output ripple voltage is of less

sn3431 3431fs

## APPLICATIONS INFORMATION

importance, the subsequent suggestions in Peak Inductor and Fault Current and EMI will additionally help in the selection of the inductor value.

Peak-to-peak output ripple voltage is the sum of a triwave (created by peak-to-peak ripple current ( $I_{LP-P}$ ) times ESR) and a square wave (created by parasitic inductance (ESL) and ripple current slew rate). Capacitive reactance is assumed to be small compared to ESR or ESL.

$$V_{RIPPLE} = (I_{LP-P})(ESR) + (ESL)\Sigma \frac{dl}{dt}$$

where:

ESR = equivalent series resistance of the output capacitor

ESL = equivalent series inductance of the output capacitor

$dl/dt$  = slew rate of inductor ripple current =  $V_{IN}/L$

Peak-to-peak ripple current ( $I_{LP-P}$ ) through the inductor and into the output capacitor is typically chosen to be between 20% and 40% of the maximum load current. It is approximated by:

$$I_{LP-P} = \frac{(V_{OUT})(V_{IN} - V_{OUT})}{(V_{IN})(f)(L)}$$

Example: with  $V_{IN} = 12V$ ,  $V_{OUT} = 5V$ ,  $L = 10\mu H$ ,  $ESR = 0.080\Omega$  and  $ESL = 10nH$ , output ripple voltage can be approximated as follows:

$$I_{P-P} = \frac{(5)(12 - 5)}{(12)(10 \cdot 10^{-6})(500 \cdot 10^3)} = 0.58A$$

$$\Sigma \frac{dl}{dt} = \frac{12}{10 \cdot 10^{-6}} = 10^6 \cdot 1.2$$

$$V_{RIPPLE} = (0.58A)(0.08) + (10 \cdot 10^{-9})(10^6)(1.2) \\ = 0.046 + 0.012 = 58mV_{P-P}$$

To reduce output ripple voltage further requires an increase in the inductor value with the trade-off being a

physically larger inductor with the possibility of increased component height and cost.

### Ceramic Output Capacitor

An alternative way to further reduce output ripple voltage is to reduce the ESR of the output capacitor by using a ceramic capacitor. Although this reduction of ESR removes a useful zero in the overall loop response, this zero can be replaced by inserting a resistor ( $R_C$ ) in series with the  $V_C$  pin and the compensation capacitor  $C_C$ . (See Ceramic Capacitors in Applications Information.)

### Peak Inductor Current and Fault Current

To ensure that the inductor will not saturate, the peak inductor current should be calculated knowing the maximum load current. An appropriate inductor should then be chosen. In addition, a decision should be made whether or not the inductor must withstand continuous fault conditions.

If maximum load current is 1A, for instance, a 1A inductor may not survive a continuous 4A overload condition. Dead shorts will actually be more gentle on the inductor because the LT3431 has frequency and current limit foldback.

Peak inductor and switch current can be significantly higher than output current, especially with smaller inductors and lighter loads, so don't omit this step. Powdered iron cores are forgiving because they saturate softly, whereas ferrite cores saturate abruptly. Other core materials fall somewhere in between. The following formula assumes continuous mode of operation, but errs only slightly on the high side for discontinuous mode, so it can be used for all conditions.

$$I_{PEAK} = I_{OUT} + \frac{(I_{LP-P})}{2} = I_{OUT} + \frac{(V_{OUT})(V_{IN} - V_{OUT})}{(2)(V_{IN})(f)(L)}$$

### EMI

Decide if the design can tolerate an "open" core geometry like a rod or barrel, which have high magnetic field radiation, or whether it needs a closed core like a toroid to prevent EMI problems. This is a tough decision because the rods or barrels are temptingly cheap and small and

## APPLICATIONS INFORMATION

there are no helpful guidelines to calculate when the magnetic field radiation will be a problem.

**Table 2**

VENDOR/ PART NUMBER	VALUE ( $\mu\text{H}$ )	$I_{DC}$ (Amps)	DCR (Ohms)	HEIGHT (mm)MAX
<b>Sumida</b>				
CDRH8D28-4R7	4.7	3.4	0.019	3
CDRH8D28-7R3	7.3	2.8	0.030	3
CDRH8D43-100	10	4	0.029	4.5
CDRH8D43-150	15	2.9	0.042	4.5
CEI122-100	10	3.4	0.029	3
CEI122(H)-150	15	3.6	0.071	3
CDRH104R-150	15	3.6	0.037	4
CDRH104R-220	22	2.9	0.054	4
CDRH124-330	33	2.9	0.066	4.5
<b>Coiltronics</b>				
UP2B-6R8	6.8	3.6	0.020	6
UP2B-100	10	3.3	0.027	6
UP3B-220	22	3.7	0.049	6.8
UP3B-330	33	3.0	0.069	6.8
<b>Coilcraft</b>				
D01813P-472	4.7	2.6	0.054	5
DS3316P-472	4.7	3.2	0.054	5.08
DS3316P-682	6.8	2.8	0.075	5.08
D03316P-103	10	3.8	0.038	5.21
D03316P-153	15	3.0	0.046	5.21

### Additional Considerations

After making an initial choice, consider additional factors such as core losses and second sourcing, etc. Use the experts in Linear Technology's Applications department if you feel uncertain about the final choice. They have experience with a wide range of inductor types and can tell you about the latest developments in low profile, surface mounting, etc.

### Maximum Output Load Current

Maximum load current for a buck converter is limited by the maximum switch current rating ( $I_P$ ). The current rating for the LT3431 is 3A. Unlike most current mode converters, the LT3431 maximum switch current limit does not

fall off at high duty cycles. Most current mode converters suffer a drop off of peak switch current for duty cycles above 50%. This is due to the effects of slope compensation required to prevent subharmonic oscillations in current mode converters. (For detailed analysis, see Application Note 19.)

The LT3431 is able to maintain peak switch current limit over the full duty cycle range by using patented circuitry to cancel the effects of slope compensation on peak switch current without affecting the frequency compensation it provides.

Maximum load current would be equal to maximum switch current *for an infinitely large inductor*, but with finite inductor size, maximum load current is reduced by one-half peak-to-peak inductor current ( $I_{LP-P}$ ). The following formula assumes continuous mode operation, implying that the term on the right is less than one-half of  $I_P$ .

$$I_{OUT(MAX)} = \text{Continuous Mode}$$

$$I_P - \frac{I_{LP-P}}{2} = I_P - \frac{(V_{OUT} + V_F)(V_{IN} - V_{OUT} - V_F)}{2(L)(f)(V_{IN})}$$

For  $V_{OUT} = 5V$ ,  $V_{IN} = 12V$ ,  $V_{F(D1)} = 0.52V$ ,  $f = 500kHz$  and  $L = 10\mu H$ :

$$\begin{aligned} I_{OUT(MAX)} &= 3 - \frac{(5 + 0.52)(12 - 5 - 0.52)}{2(15 \cdot 10^{-6})(500 \cdot 10^3)(12)} \\ &= 3 - 0.3 = 2.7A \end{aligned}$$

Note that there is less load current available at the higher input voltage because inductor ripple current increases. At  $V_{IN} = 24V$ , duty cycle is 23% and for the same set of conditions:

$$\begin{aligned} I_{OUT(MAX)} &= 3 - \frac{(5 + 0.52)(24 - 5 - 0.52)}{2(15 \cdot 10^{-6})(500 \cdot 10^3)(24)} \\ &= 3 - 0.43 = 2.57A \end{aligned}$$

## APPLICATIONS INFORMATION

To calculate actual peak switch current with a given set of conditions, use:

$$I_{SW(PEAK)} = I_{OUT} + \frac{I_{LP-P}}{2}$$

$$= I_{OUT} + \frac{(V_{OUT} + V_F)(V_{IN} - V_{OUT} - V_F)}{2(L)(f)(V_{IN})}$$

### Reduced Inductor Value and Discontinuous Mode

If the smallest inductor value is of most importance to a converter design, in order to reduce inductor size/cost, discontinuous mode may yield the smallest inductor solution. The maximum output load current in discontinuous mode, however, must be calculated and is defined later in this section.

Discontinuous mode is entered when the output load current is less than one-half of the inductor ripple current ( $I_{LP-P}$ ). In this mode, inductor current falls to zero before the next switch turn on (see Figure 8). Buck converters will be in discontinuous mode for output load current given by:

$$I_{OUT} \text{ Discontinuous Mode} < \frac{(V_{OUT} + V_F)(V_{IN} - V_{OUT} - V_F)}{(2)(V_{IN})(f)(L)}$$

The inductor value in a buck converter is usually chosen large enough to keep inductor ripple current ( $I_{LP-P}$ ) low; this is done to minimize output ripple voltage and maximize output load current. In the case of large inductor values, as seen in the equation above, discontinuous mode will be associated with “light loads.”

When choosing small inductor values, however, discontinuous mode will occur at much higher output load currents. The limit to the smallest inductor value that can be chosen is set by the LT3431 peak switch current ( $I_P$ ) and the maximum output load current required, given by:

$$I_{OUT(MAX)} \text{ Discontinuous Mode} = \frac{I_P^2}{(2)(I_{LP-P})}$$

$$= \frac{I_P^2 (f \cdot L \cdot V_{IN})}{2(V_{OUT} + V_F)(V_{IN} - V_{OUT} - V_F)}$$

Example: For  $V_{IN} = 12V$ ,  $V_{OUT} = 5V$ ,  $V_F = 0.52V$ ,  $f = 500kHz$  and  $L = 2.2\mu H$ .

$$I_{OUT(MAX)} \text{ Discontinuous Mode} = \frac{3^2 \cdot (500 \cdot 10^3)(4.7 \cdot 10^{-6})(12)}{2(5 + 0.52)(12 - 5 - 0.52)}$$

$$I_{OUT(MAX)} \text{ Discontinuous Mode} = 1.66A$$

What has been shown here is that if high inductor ripple current and discontinuous mode operation can be tolerated, small inductor values can be used. If a higher output load current is required, the inductor value must be increased. If  $I_{OUT(MAX)}$  no longer meets the discontinuous mode criteria, use the  $I_{OUT(MAX)}$  equation for continuous mode; the LT3431 is designed to operate well in both modes of operation, allowing a large range of inductor values to be used.

### Short-Circuit Considerations

For a ground short-circuit fault on the regulated output, the maximum input voltage for the LT3431 is typically limited to 21V. If a greater input voltage is required, increasing the resistance in series with the inductor may suffice (see short-circuit calculations at the end of this section). Alternatively, the LT3430 can be used since it is identical to the LT3431 but runs at a lower frequency of 200kHz, allowing higher sustained input voltage capability during output short-circuit.

The LT3431 is a current mode controller. It uses the  $V_C$  node voltage as an input to a current comparator which turns off the output switch on a cycle-by-cycle basis as peak current is reached. The internal clamp on the  $V_C$  node, nominally 2V, then acts as an output switch peak current limit. This action becomes the switch current limit specification. The maximum available output power is then determined by the switch current limit.

A potential controllability problem could occur under short-circuit conditions. If the power supply output is short circuited, the feedback amplifier responds to the low output voltage by raising the control voltage,  $V_C$ , to its peak current limit value. Ideally, the output switch would be turned on, and then turned off as its current exceeded the value indicated by  $V_C$ . However, there is finite response

## APPLICATIONS INFORMATION

time involved in both the current comparator and turnoff of the output switch. These result in a minimum on time  $t_{ON(MIN)}$ . When combined with the large ratio of  $V_{IN}$  to  $(V_F + I \cdot R)$ , the diode forward voltage plus inductor  $I \cdot R$  voltage drop, the potential exists for a loss of control. Expressed mathematically the requirement to maintain control is:

$$f \cdot t_{ON} \leq \frac{V_F + I \cdot R}{V_{IN}}$$

where:

$f$  = switching frequency

$t_{ON}$  = switch minimum on time

$V_F$  = diode forward voltage

$V_{IN}$  = Input voltage

$I \cdot R$  = inductor  $I \cdot R$  voltage drop

If this condition is not observed, the current will not be limited at  $I_{PK}$ , but will cycle-by-cycle ratchet up to some higher value. Using the nominal LT3431 clock frequency of 500kHz, a  $V_{IN}$  of 12V and a  $(V_F + I \cdot R)$  of say 0.6V, the maximum  $t_{ON}$  to maintain control would be approximately 100ns, an unacceptably short time.

The solution to this dilemma is to slow down the oscillator when the FB pin voltage is abnormally low thereby indicating some sort of short-circuit condition. Oscillator frequency is unaffected until FB voltage drops to about 2/3 of its normal value. Below this point the oscillator frequency decreases roughly linearly down to a limit of about 100kHz. This lower oscillator frequency during short-circuit conditions can then maintain control with the effective minimum on time. Even with frequency foldback, however, the LT3431 will not survive a permanent output short at the absolute maximum voltage rating of  $V_{IN} = 60V$ ; this is defined solely by internal semiconductor junction breakdown effects.

For the maximum input voltage allowed during an output short to ground, the previous equation defining minimum on-time can be used. Assuming  $V_F$  (D1 catch diode) = 0.52V at 2.5A (short-circuit current is folded back to typical switch current limit  $\cdot 0.5$ ),  $I$  (inductor)  $\cdot$  DCR = 2.5A  $\cdot$  0.027 = 0.068V (L = UP2B-100), typical  $f$  = 100kHz (folded back) and typical minimum on-time = 275ns, the

maximum allowable input voltage during an output short to ground is typically:

$$V_{IN} = (0.52V + 0.068V)/(100kHz \cdot 275ns)$$

$$V_{IN(MAX)} = 21V$$

Increasing the DCR of the inductor will increase the maximum  $V_{IN}$  allowed during an output short to ground but will also drop overall efficiency during normal operation.

It is recommended that for  $[V_{IN}/(V_{OUT} + V_F)]$  ratios  $> 4$ , a soft-start circuit should be used to control the output capacitor charge rate during start-up or during recovery from an output short circuit, thereby adding additional control over peak inductor current. See Buck Converter with Adjustable Soft-Start later in this data sheet.

## OUTPUT CAPACITOR

The LT3431 will operate with either ceramic or tantalum output capacitors. The output capacitor is normally chosen by its effective series resistance (ESR), because this is what determines output ripple voltage. The ESR range for typical LT3431 applications using a tantalum output capacitor is 0.05 $\Omega$  to 0.2 $\Omega$ . A typical output capacitor is an AVX type TPS, 100 $\mu$ F at 10V, with a guaranteed ESR less than 0.1 $\Omega$ . This is a "D" size surface mount solid tantalum capacitor. TPS capacitors are specially constructed and tested for low ESR, so they give the lowest ESR for a given volume. The value in microfarads is not particularly critical, and values from 22 $\mu$ F to greater than 500 $\mu$ F work well, but you cannot cheat mother nature on ESR. If you find a tiny 22 $\mu$ F solid tantalum capacitor, it will have high ESR, and output ripple voltage will be terrible. Table 3 shows some typical solid tantalum surface mount capacitors.

**Table 3. Surface Mount Solid Tantalum Capacitor ESR and Ripple Current**

	ESR (Max., $\Omega$ )	Ripple Current (A)
<b>E Case Size</b>		
AVX TPS, Sprague 593D	0.1 to 0.3	0.7 to 1.1
<b>D Case Size</b>		
AVX TPS, Sprague 593D	0.1 to 0.3	0.7 to 1.1
<b>C Case Size</b>		
AVX TPS	0.2 (typ)	0.5 (typ)

## APPLICATIONS INFORMATION

Many engineers have heard that solid tantalum capacitors are prone to failure if they undergo high surge currents. This is historically true, and type TPS capacitors are specially tested for surge capability, but surge ruggedness is not a critical issue with the *output* capacitor. Solid tantalum capacitors fail during very high *turn-on* surges, which do not occur at the output of regulators. High *discharge* surges, such as when the regulator output is dead shorted, do not harm the capacitors.

Unlike the input capacitor, RMS ripple current in the output capacitor is normally low enough that ripple current rating is not an issue. The current waveform is triangular with a typical value of  $250\text{mA}_{\text{RMS}}$ . The formula to calculate this is:

Output capacitor ripple current (RMS):

$$I_{\text{RIPPLE(RMS)}} = \frac{0.29(V_{\text{OUT}})(V_{\text{IN}} - V_{\text{OUT}})}{(L)(f)(V_{\text{IN}})}$$

### Ceramic Capacitors

Ceramic capacitors are generally chosen for their good high frequency operation, small size and very low ESR (effective series resistance). Their low ESR reduces output ripple voltage but also removes a useful zero in the loop frequency response, common to tantalum capacitors. To compensate for this, a resistor  $R_C$  can be placed in series with the  $V_C$  compensation capacitor  $C_C$ . Care must be taken however, since this resistor sets the high frequency gain of the error amplifier, including the gain at the switching frequency. If the gain of the error amplifier is high enough at the switching frequency, output ripple voltage (although smaller for a ceramic output capacitor) may still affect the proper operation of the regulator. A filter capacitor  $C_F$  in parallel with the  $R_C/C_C$  network is suggested to control possible ripple at the  $V_C$  pin. An “All Ceramic” solution is possible for the LT3431 by choosing the correct compensation components for the given application.

Example: For  $V_{\text{IN}} = 8\text{V}$  to  $20\text{V}$ ,  $V_{\text{OUT}} = 5\text{V}$  at  $2\text{A}$ , the LT3431 can be stabilized, provide good transient response and maintain very low output ripple voltage using the following component values: (refer to the first page of this data

sheet for component references)  $C_3 = 2.2\mu\text{F}$ ,  $R_C = 1.5\text{k}$ ,  $C_C = 15\text{nF}$ ,  $C_F = 220\text{pF}$  and  $C_1 = 47\mu\text{F}$ . See Application Note 19 for further detail on techniques for proper loop compensation.

### INPUT CAPACITOR

Step-down regulators draw current from the input supply in pulses. The rise and fall times of these pulses are very fast. The input capacitor is required to reduce the voltage ripple this causes at the input of LT3431 and force the switching current into a tight local loop, thereby minimizing EMI. The RMS ripple current can be calculated from:

$$I_{\text{RIPPLE(RMS)}} = I_{\text{OUT}} \sqrt{V_{\text{OUT}}(V_{\text{IN}} - V_{\text{OUT}}) / V_{\text{IN}}^2}$$

Ceramic capacitors are ideal for input bypassing. At  $500\text{kHz}$  switching frequency, the energy storage requirement of the input capacitor suggests that values in the range of  $2.2\mu\text{F}$  to  $10\mu\text{F}$  are suitable for most applications. If operation is required close to the minimum input required by the output of the LT3431, a larger value may be required. This is to prevent excessive ripple causing dips below the minimum operating voltage resulting in erratic operation.

Depending on how the LT3431 circuit is powered up you may need to check for input voltage transients.

The input voltage transients may be caused by input voltage steps or by connecting the LT3431 converter to an already powered up source such as a wall adapter. The sudden application of input voltage will cause a large surge of current in the input leads that will store energy in the parasitic inductance of the leads. This energy will cause the input voltage to swing above the DC level of input power source and it may exceed the maximum voltage rating of input capacitor and LT3431.

The easiest way to suppress input voltage transients is to add a small aluminum electrolytic capacitor in parallel with the low ESR input capacitor. The selected capacitor needs to have the right amount of ESR in order to critically dampen the resonant circuit formed by the input lead inductance and the input capacitor. The typical values of ESR will fall in the range of  $0.5\Omega$  to  $2\Omega$  and capacitance will fall in the range of  $5\mu\text{F}$  to  $50\mu\text{F}$ .

## APPLICATIONS INFORMATION

If tantalum capacitors are used, values in the 22 $\mu$ F to 470 $\mu$ F range are generally needed to minimize ESR and meet ripple current and surge ratings. Care should be taken to ensure the ripple and surge ratings are not exceeded. The AVX TPS and Kemet T495 series are surge rated. AVX recommends derating capacitor operating voltage by 2:1 for high surge applications.

### CATCH DIODE

Highest efficiency operation requires the use of a Schottky type diode. DC switching losses are minimized due to its low forward voltage drop, and AC behavior is benign due to its lack of a significant reverse recovery time. Schottky diodes are generally available with reverse voltage ratings of up to 60V and even 100V, and are price competitive with other types.

The use of so-called “ultrafast” recovery diodes is generally not recommended. When operating in continuous mode, the reverse recovery time exhibited by “ultrafast” diodes will result in a slingshot type effect. The power internal switch will ramp up  $V_{IN}$  current into the diode in an attempt to get it to recover. Then, when the diode has finally turned off, some tens of nanoseconds later, the  $V_{SW}$  node voltage ramps up at an extremely high  $dV/dt$ , perhaps 5 to even 10V/ns! With real world lead inductances, the  $V_{SW}$  node can easily overshoot the  $V_{IN}$  rail. This can result in poor RFI behavior and if the overshoot is severe enough, damage the IC itself.

The suggested catch diode (D1) is an International Rectifier 30BQ060 Schottky. It is rated at 3A average forward current and 60V reverse voltage. Typical forward voltage is 0.52V at 3A. The diode conducts current only during switch off time. Peak reverse voltage is equal to regulator input voltage. Average forward current in normal operation can be calculated from:

$$I_{D(AVG)} = \frac{I_{OUT}(V_{IN} - V_{OUT})}{V_{IN}}$$

This formula will not yield values higher than 3A with maximum load current of 3A.

### BOOST PIN

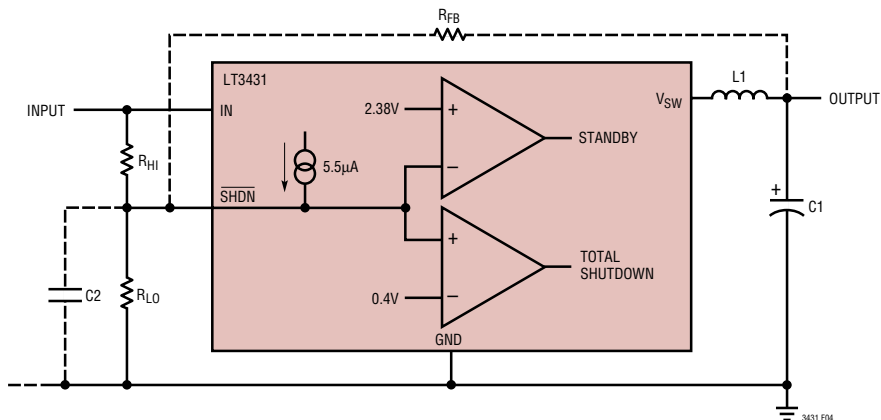
For most applications, the boost components are a 0.22 $\mu$ F capacitor and a MMSD914TI diode. The anode is typically connected to the regulated output voltage to generate a voltage approximately  $V_{OUT}$  above  $V_{IN}$  to drive the output stage. However, the output stage discharges the boost capacitor during the on time of the switch. The output driver requires at least 3V of headroom throughout this period to keep the switch fully saturated. If the output voltage is less than 3.3V, it is recommended that an alternate boost supply is used. The boost diode can be connected to the input, although, care must be taken to prevent the  $2 \times V_{IN}$  boost voltage from exceeding the BOOST pin absolute maximum rating. The additional voltage across the switch driver also increases power loss, reducing efficiency. If available, an independent supply can be used with a local bypass capacitor.

A 0.22 $\mu$ F boost capacitor is recommended for most applications. Almost any type of film or ceramic capacitor is suitable, but the ESR should be  $<1\Omega$  to ensure it can be fully recharged during the off time of the switch. The capacitor value is derived from worst-case conditions of 1840ns on time, 75mA boost current and 0.7V discharge ripple. The boost capacitor value could be reduced under less demanding conditions, but this will not improve circuit operation or efficiency. Under low input voltage and low load conditions, a higher value capacitor will reduce discharge ripple and improve start-up operation.

### SHUTDOWN FUNCTION AND UNDERVOLTAGE LOCKOUT

Figure 4 shows how to add undervoltage lockout (UVLO) to the LT3431. Typically, UVLO is used in situations where the input supply is *current limited*, or has a relatively high source resistance. A switching regulator draws constant power from the source, so source current increases as source voltage drops. This looks like a negative resistance load to the source and can cause the source to current limit or latch low under low source voltage conditions. UVLO prevents the regulator from operating at source voltages where these problems might occur.

**APPLICATIONS INFORMATION**



**Figure 4. Undervoltage Lockout**

Threshold voltage for lockout is about 2.38V. A 5.5µA bias current flows *out* of the pin at this threshold. The internally generated current is used to force a default high state on the shutdown pin if the pin is left open. When low shutdown current is not an issue, the error due to this current can be minimized by making R<sub>LO</sub> 10k or less. If shutdown current is an issue, R<sub>LO</sub> can be raised to 100k, but the error due to initial bias current and changes with temperature should be considered.

$$R_{LO} = 10k \text{ to } 100k \text{ (25k suggested)}$$

$$R_{HI} = \frac{R_{LO}(V_{IN} - 2.38V)}{2.38V - R_{LO}(5.5\mu A)}$$

V<sub>IN</sub> = Minimum input voltage

Keep the connections from the resistors to the shutdown pin short and make sure that interplane or surface capacitance to the switching nodes are minimized. If high resistor values are used, the shutdown pin should be bypassed with a 1000pF capacitor to prevent coupling problems from the switch node. If hysteresis is desired in the undervoltage lockout point, a resistor R<sub>FB</sub> can be added to the output node. Resistor values can be calculated from:

$$R_{HI} = \frac{R_{LO}[V_{IN} - 2.38(\Delta V/V_{OUT} + 1) + \Delta V]}{2.38 - R_{LO}(5.5\mu A)}$$

$$R_{FB} = (R_{HI})(V_{OUT}/\Delta V)$$

25k suggested for R<sub>LO</sub>

V<sub>IN</sub> = Input voltage at which switching stops as input voltage descends to trip level

ΔV = Hysteresis in input voltage level

Example: output voltage is 5V, switching is to stop if input voltage drops below 12V and should not restart unless input rises back to 13.5V. ΔV is therefore 1.5V and V<sub>IN</sub> = 12V. Let R<sub>LO</sub> = 25k.

$$R_{HI} = \frac{25k[12 - 2.38(1.5/5 + 1) + 1.5]}{2.38 - 25k(5.5\mu A)}$$

$$= \frac{25k(10.41)}{2.24} = 116k$$

$$R_{FB} = 116k(5/1.5) = 387k$$

**SYNCHRONIZING**

The SYNC input must pass from a logic level low, through the maximum synchronization threshold with a duty cycle between 10% and 90%. The input can be driven directly from a logic level output. The synchronizing range is equal to *initial* operating frequency up to 700kHz. This means that *minimum* practical sync frequency is equal to the worst-case *high* self-oscillating frequency (570kHz), not the typical operating frequency of 500kHz. Caution should be used when synchronizing above 662kHz because at higher sync frequencies the amplitude of the internal slope compensation used to prevent subharmonic switching is



## APPLICATIONS INFORMATION

reduced. This type of subharmonic switching only occurs at input voltages less than twice output voltage. Higher inductor values will tend to eliminate this problem. See Frequency Compensation section for a discussion of an entirely different cause of subharmonic switching before assuming that the cause is insufficient slope compensation. Application Note 19 has more details on the theory of slope compensation.

At power-up, when  $V_C$  is being clamped by the FB pin (see Figure 2, Q2), the sync function is disabled. This allows the frequency foldback to operate in the shorted output condition. During normal operation, switching frequency is controlled by the internal oscillator until the FB pin reaches 0.6V, after which the SYNC pin becomes operational. If no synchronization is required, this pin should be connected to ground.

## LAYOUT CONSIDERATIONS

As with all high frequency switchers, when considering layout, care must be taken in order to achieve optimal electrical, thermal and noise performance. For maximum efficiency, switch rise and fall times are typically in the

nanosecond range. To prevent noise both radiated and conducted, the high speed switching current path, shown in Figure 5, must be kept as short as possible. This is implemented in the suggested layout of Figure 6. Shortening this path will also reduce the parasitic trace inductance of approximately 25nH/inch. At switch off, this parasitic inductance produces a flyback spike across the LT3431 switch. When operating at higher currents and input voltages, with poor layout, this spike can generate voltages across the LT3431 that may exceed its absolute maximum rating. A ground plane should always be used under the switcher circuitry to prevent interplane coupling and over-all noise.

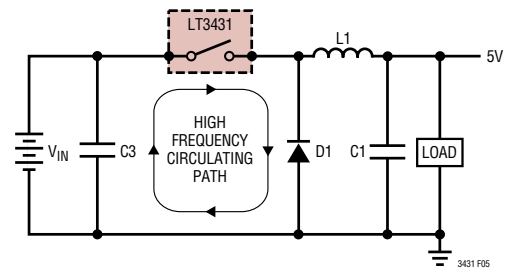


Figure 5. High Speed Switching Path

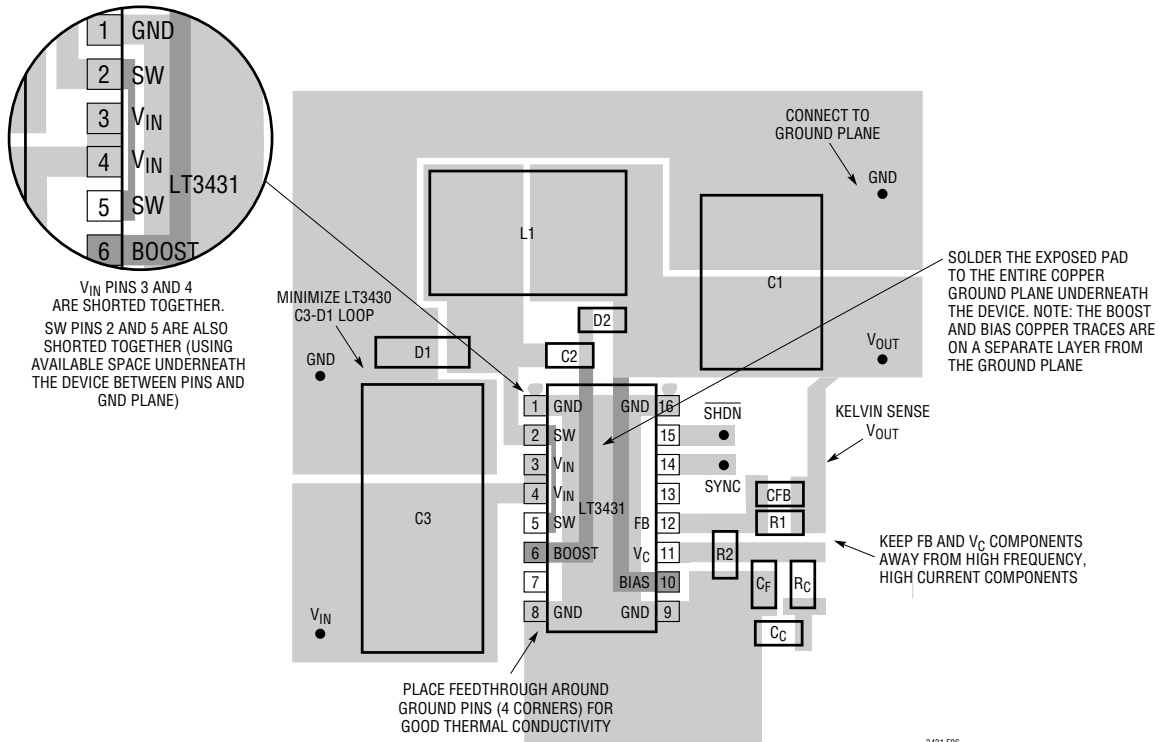


Figure 6. Suggested Layout

## APPLICATIONS INFORMATION

The  $V_C$  and FB components should be kept as far away as possible from the switch and boost nodes. The LT3431 pinout has been designed to aid in this. The ground for these components should be separated from the switch current path. Failure to do so will result in poor stability or subharmonic like oscillation.

Board layout also has a significant effect on thermal resistance. Pins 1, 8, 9 and 16, GND, are a continuous copper plate that runs under the LT3431 die. This is an exposed pad and is the best thermal path for heat out of the package. Soldering the exposed pad to the copper ground plane under the device will reduce die temperature and increase the power capability of the LT3431. Adding multiple solder filled feedthroughs under and around the four corner pins to the ground plane will also help. Similar treatment to the catch diode and coil terminations will reduce any additional heating effects.

### PARASITIC RESONANCE

Resonance or “ringing” may sometimes be seen on the switch node (see Figure 7). Very high frequency ringing following switch rise time is caused by switch/diode/input capacitor lead inductance and diode capacitance. Schottky diodes have very high “Q” junction capacitance that can ring for many cycles when excited at high frequency. If total lead length for the input capacitor, diode and switch path is 1 inch, the inductance will be approximately 25nH. At switch off, this will produce a spike across the NPN output device in addition to the input voltage. At higher currents this spike can be in the order of 10V to 20V or higher with a poor layout, potentially exceeding the

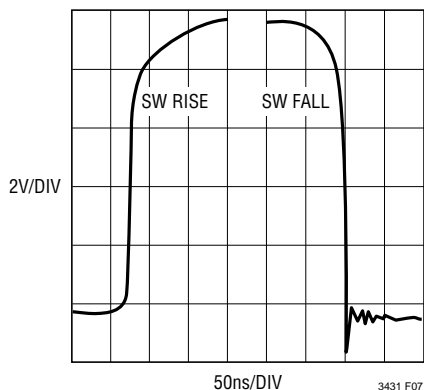


Figure 7. Switch Node Resonance

absolute max switch voltage. The path around switch, catch diode and input capacitor must be kept as short as possible to ensure reliable operation. When looking at this, a >100MHz oscilloscope must be used, and waveforms should be observed on the leads of the package. This switch off spike will also cause the SW node to go below ground. The LT3431 has special circuitry inside which mitigates this problem, but negative voltages over 0.8V lasting longer than 10ns should be avoided. Note that 100MHz oscilloscopes are barely fast enough to see the details of the falling edge overshoot in Figure 7.

A second, much lower frequency ringing is seen during switch off time if load current is low enough to allow the inductor current to fall to zero during part of the switch off time (see Figure 8). Switch and diode capacitance resonate with the inductor to form damped ringing at 1MHz to 10MHz. This ringing is not harmful to the regulator and it has not been shown to contribute significantly to EMI. Any attempt to damp it with a resistive snubber will degrade efficiency.

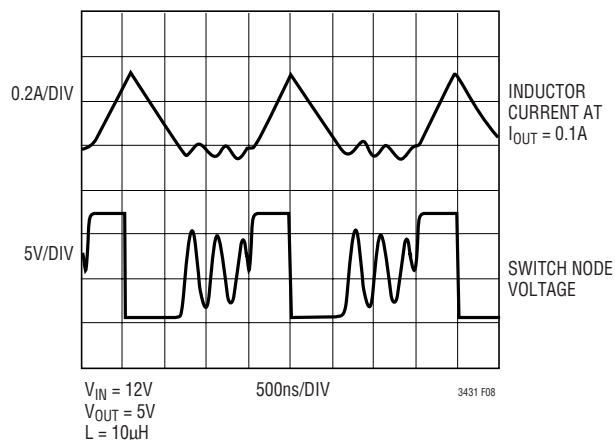


Figure 8. Discontinuous Mode Ringing

### THERMAL CALCULATIONS

Power dissipation in the LT3431 chip comes from four sources: switch DC loss, switch AC loss, boost circuit current, and input quiescent current. The following formulas show how to calculate each of these losses. These formulas assume continuous mode operation, so they should not be used for calculating efficiency at light load currents.

## APPLICATIONS INFORMATION

Switch loss:

$$P_{SW} = \frac{R_{SW}(I_{OUT})^2(V_{OUT})}{V_{IN}} + t_{EFF}(1/2)(I_{OUT})(V_{IN})(f)$$

Boost current loss:

$$P_{BOOST} = \frac{V_{OUT}^2(I_{OUT}/36)}{V_{IN}}$$

Quiescent current loss:

$$P_Q = V_{IN}(0.0015) + V_{OUT}(0.003)$$

$R_{SW}$  = Switch resistance ( $\approx 0.15$ ) hot

$t_{EFF}$  = Effective switch current/voltage overlap time  
 $= (t_r + t_f + t_{lr} + t_{lf})$

$t_r = (V_{IN}/1.2)$  ns

$t_f = (V_{IN}/1.1)$  ns

$t_{lr} = t_{lf} = (I_{OUT}/0.05)$  ns

$f$  = Switch frequency

Example: with  $V_{IN} = 12V$ ,  $V_{OUT} = 5V$  and  $I_{OUT} = 2A$

$$P_{SW} = \frac{(0.15)(2)^2(5)}{12} + (101 \cdot 10^{-9})(1/2)(2)(12)(500 \cdot 10^3)$$

$$= 0.25 + 0.61 = 0.86W$$

$$P_{BOOST} = \frac{(5)^2(2/36)}{12} = 0.12W$$

$$P_Q = 12(0.0015) + 5(0.003) = 0.033W$$

Total power dissipation in the IC is given by:

$$P_{TOT} = P_{SW} + P_{BOOST} + P_Q$$

$$= 0.86W + 0.12W + 0.03W = 1.01W$$

Thermal resistance for the LT3431 package is influenced by the presence of internal or backside planes.

TSSOP (Exposed Pad) Package: With a full plane under the TSSOP package, thermal resistance ( $\theta_{JA}$ ) will be about  $45^\circ C/W$ .

To calculate die temperature, use the proper thermal resistance number for the desired package and add in worst-case ambient temperature:

$$T_J = T_A + (\theta_{JA} \cdot P_{TOT})$$

When estimating ambient, remember the nearby catch diode and inductor will also be dissipating power:

$$P_{DIODE} = \frac{(V_F)(V_{IN} - V_{OUT})(I_{LOAD})}{V_{IN}}$$

$V_F$  = Forward voltage of diode (assume  $0.52V$  at  $2A$ )

$$P_{DIODE} = \frac{(0.52)(12 - 5)(2)}{12} = 0.61W$$

Notice that the catch diode's forward voltage contributes a significant loss in the overall system efficiency. A larger, lower  $V_F$  diode can improve efficiency by several percent.

$$P_{INDUCTOR} = (I_{LOAD})^2(R_{IND})$$

$R_{IND}$  = Inductor DC resistance (assume  $0.1\Omega$ )

$$P_{INDUCTOR} (2)^2(0.1) = 0.4W$$

Typical thermal resistance of the board is  $5^\circ C/W$ . Taking the catch diode and inductor power dissipation into account and using the example calculations for LT3431 dissipation, the LT3431 die temperature will be estimated as:

$$T_J = T_A + (\theta_{JA} \cdot P_{TOT}) + [5 \cdot (P_{DIODE} + P_{INDUCTOR})]$$

With the TSSOP package ( $\theta_{JA} = 45^\circ C/W$ ), at an ambient temperature of  $50^\circ C$ :

$$T_J = 50 + (45 \cdot 1.01) + (5 \cdot 1.01) = 101^\circ C$$

Die temperature can peak for certain combinations of  $V_{IN}$ ,  $V_{OUT}$  and load current. While higher  $V_{IN}$  gives greater switch AC losses, quiescent and catch diode losses, a lower  $V_{IN}$  may generate greater losses due to switch DC losses. In general, the maximum and minimum  $V_{IN}$  levels should be checked with maximum typical load current for calculation of the LT3431 die temperature. If a more accurate die temperature is required, a measurement of the SYNC pin resistance (to GND) can be used. The SYNC pin resistance can be measured by forcing a voltage no greater than  $0.5V$  at the pin and monitoring the pin current over temperature in an oven. This should be done with minimal device power (low  $V_{IN}$  and no switching ( $V_C = 0V$ )) in order to calibrate SYNC pin resistance with ambient (oven) temperature.

**APPLICATIONS INFORMATION**

Note: Some of the internal power dissipation in the IC, due to BOOST pin voltage, can be transferred outside of the IC to reduce junction temperature, by increasing the voltage drop in the path of the boost diode D2. (see Figure 9). This reduction of junction temperature inside the IC will allow higher ambient temperature operation for a given set of conditions. BOOST pin circuitry dissipates power given by:

$$P_{DISS(BOOST)} = \frac{V_{OUT} \cdot (I_{SW} / 36) \cdot V_{C2}}{V_{IN}}$$

Typically  $V_{C2}$  (the boost voltage across the capacitor C2) equals  $V_{OUT}$ . This is because diodes D1 and D2 can be considered almost equal, where:

$$V_{C2} = V_{OUT} - V_{FD2} - (-V_{FD1}) = V_{OUT}$$

Hence the equation used for boost circuitry power dissipation given in the previous Thermal Calculations section is stated as:

$$P_{DISS(BOOST)} = \frac{V_{OUT} \cdot (I_{SW} / 36) \cdot V_{OUT}}{V_{IN}}$$

Here it can be seen that Boost power dissipation increases as the square of  $V_{out}$ . It is possible, however, to reduce  $V_{C2}$  below  $V_{out}$  to save power dissipation by increasing the voltage drop in the path of D2. Care should be taken that  $V_{C2}$  does not fall below the minimum 3.3V Boost voltage required for full saturation of the internal power switch. For output voltages of 5V,  $V_{C2}$  is approximately 5V. During switch turn on,  $V_{C2}$  will fall as the boost capacitor C2 is discharged by the boost pin. In a previous BOOST Pin section, the value of C2 was designed for a 0.7V droop in  $V_{C2} = V_{DROOP}$ . Hence, an output voltage as low as 4V would still allow the minimum 3.3V for the boost function using the C2 capacitor calculated. If a target output voltage of 12V is required, however, an excess of 8V is placed across the boost capacitor which is not required for the boost function, but still dissipates additional power. What is required is a voltage drop in the path of D2 to achieve minimal power dissipation while still maintaining minimum boost voltage across C2. A zener, D4, placed in series with D2 (see Figure 9), drops voltage to C2.

Example : The BOOST pin power dissipation for a 20V input to 12V output conversion at 2A is given by :

$$P_{BOOST} = \frac{12 \cdot (2 / 36) \cdot 12}{20} = 0.4W$$

If a 7V zener D4 is placed in series with D2, then power dissipation becomes :

$$P_{BOOST} = \frac{12 \cdot (2 / 36) \cdot 5}{20} = 0.167W$$

For an FE package with thermal resistance of  $45^{\circ}C/W$ , ambient temperature savings would be,  $T_{(AMBIENT)}$  savings =  $0.233W \cdot 45^{\circ}C/W = 11^{\circ}C$ . The 7V zener should be sized for excess of 0.233W operation. The tolerances of the zener should be considered to ensure minimum  $V_{C2}$  exceeds  $3.3V + V_{DROOP}$ .

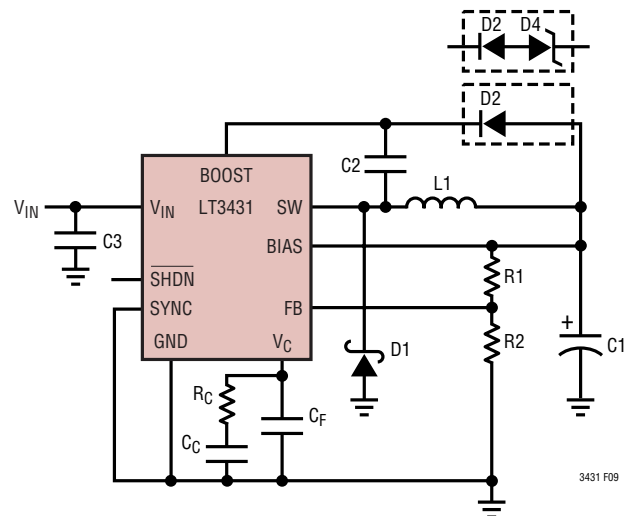


Figure 9. BOOST Pin, Diode Selection

**Input Voltage vs Operating Frequency Considerations**

The absolute maximum input supply voltage for the LT3431 is specified at 60V. This is based on internal semiconductor junction breakdown effects. The practical maximum input supply voltage for the LT3431 may be less than 60V due to internal power dissipation or switch minimum on time considerations.

For the extreme case of an output short-circuit fault to ground, see the section Short-Circuit Considerations.

## APPLICATIONS INFORMATION

A detailed theoretical basis for estimating internal power dissipation is given in the Thermal Calculations section. This will allow a first pass check of whether an application's maximum input voltage requirement is suitable for the LT3431. Be aware that these calculations are for DC input voltages and that input voltage transients as high as 60V are possible if the resulting increase in internal power dissipation is of insufficient time duration to raise die temperature significantly. For the FE package, this means high voltage transients on the order of hundreds of milliseconds are possible. If LT3431 thermal calculations show power dissipation is not suitable for the given application, the LT3430 is a recommended alternative since it is identical to the LT3431 but runs cooler at 200kHz.

Switch minimum on time is the other factor that may limit the maximum operational input voltage for the LT3431 if pulse-skipping behavior is not allowed. For the LT3431, pulse-skipping may occur for  $V_{IN}/(V_{OUT} + V_F)$  ratios  $> 4$ . ( $V_F$  = Schottky diode D1 forward voltage drop, Figure 5.) If the LT3430 is used, the ratio increases to 10. Pulse-skipping is the regulator's way of missing switch pulses to maintain output voltage regulation. Although an increase in output ripple voltage can occur during pulse-skipping, a ceramic output capacitor can be used to keep ripple voltage to a minimum (see output ripple voltage comparison for tantalum vs ceramic output capacitors, Figure 3).

### FREQUENCY COMPENSATION

Before starting on the theoretical analysis of frequency response, the following should be remembered—the worse the board layout, the more difficult the circuit will be to stabilize. This is true of almost all high frequency analog circuits, read the Layout Considerations section first. Common layout errors that appear as stability problems are distant placement of input decoupling capacitor and/or catch diode, and connecting the  $V_C$  compensation to a ground track carrying significant switch current. In addition,

the theoretical analysis considers only first order non-ideal component behavior. For these reasons, it is important that a final stability check is made with production layout and components.

The LT3431 uses current mode control. This alleviates many of the phase shift problems associated with the inductor. The basic regulator loop is shown in Figure 10. The LT3431 can be considered as two  $g_m$  blocks, the error amplifier and the power stage.

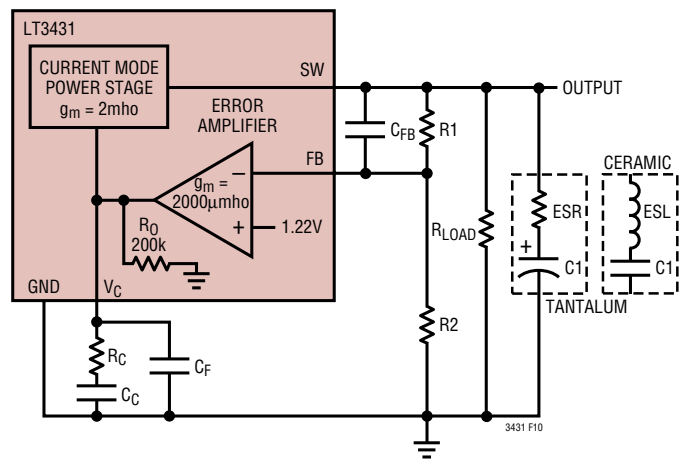


Figure 10. Model for Loop Response

Figure 11 shows the overall loop response. At the  $V_C$  pin, the frequency compensation components used are:  $R_C = 3.3k$ ,  $C_C = 0.022\mu F$  and  $C_F = 220pF$ . The output capacitor used is a  $100\mu F$ , 10V tantalum capacitor with typical ESR of  $100m\Omega$ .

The ESR of the tantalum output capacitor provides a useful zero in the loop frequency response for maintaining stability.

This ESR, however, contributes significantly to the ripple voltage at the output (see Output Ripple Voltage in the Applications Information section). It is possible to reduce capacitor size and output ripple voltage by replacing the

## APPLICATIONS INFORMATION

tantalum output capacitor with a ceramic output capacitor because of its very low ESR. The zero provided by the tantalum output capacitor must now be reinserted back into the loop. Alternatively there may be cases where, even with the tantalum output capacitor, an additional zero is required in the loop to increase phase margin for improved transient response.

A zero can be added into the loop by placing a resistor,  $R_C$ , at the  $V_C$  pin in series with the compensation capacitor,  $C_C$  or by placing a capacitor,  $C_{FB}$ , between the output and the FB pin.

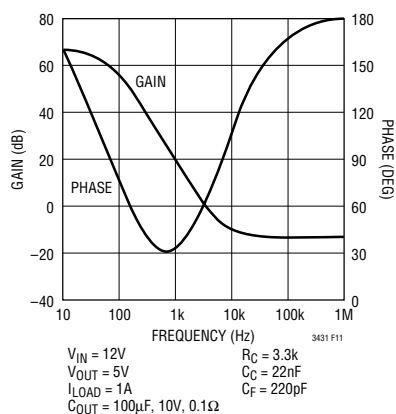


Figure 11. Overall Loop Response

When using  $R_C$ , the maximum value has two limitations. First, the combination of output capacitor ESR and  $R_C$  may stop the loop rolling off altogether. Second, if the loop gain is not rolled sufficiently at the switching frequency, output ripple will perturb the  $V_C$  pin enough to cause unstable duty cycle switching similar to subharmonic oscillation. If needed, an additional capacitor ( $C_F$ ) can be added across the  $R_C/C_C$  network from  $V_C$  pin to ground to further suppress  $V_C$  ripple voltage.

With a tantalum output capacitor, the LT3431 already includes a resistor,  $R_C$  and filter capacitor,  $C_F$ , at the  $V_C$  pin (see Figures 10 and 11) to compensate the loop over the entire  $V_{IN}$  range (to allow for stable pulse skipping for high  $V_{IN}$ -to- $V_{OUT}$  ratios  $\geq 4$ ). A ceramic output capacitor can still be used with a simple adjustment to the resistor  $R_C$  for stable operation. (See Ceramic Capacitors section for stabilizing LT3431). If additional phase margin is required,

a capacitor,  $C_{FB}$ , can be inserted between the output and FB pin but care must be taken for high output voltage applications. Sudden shorts to the output can create unacceptably large negative transients on the FB pin.

For  $V_{IN}$ -to- $V_{OUT}$  ratios  $< 4$ , higher loop bandwidths are possible by readjusting the frequency compensation components at the  $V_C$  pin.

When checking loop stability, the circuit should be operated over the application's full voltage, current and temperature range. Proper loop compensation may be obtained by empirical methods as described in detail in Application Notes 19 and 76.

## CONVERTER WITH BACKUP OUTPUT REGULATOR

In systems with a primary and backup supply, for example, a battery powered device with a wall adapter input, the output of the LT3431 can be held up by the backup supply with the LT3431 input disconnected. In this condition, the SW pin will source current into the  $V_{IN}$  pin. If the SHDN pin is held at ground, only the shut down current of  $30\mu A$  will be pulled via the SW pin from the second supply. With the SHDN pin floating, the LT3431 will consume its quiescent operating current of  $1.5mA$ . The  $V_{IN}$  pin will also source current to any other components connected to the input line. If this load is greater than  $10mA$  or the input could be shorted to ground, a series Schottky diode must be added, as shown in Figure 12. With these safeguards, the output can be held at voltages up to the  $V_{IN}$  absolute maximum rating.

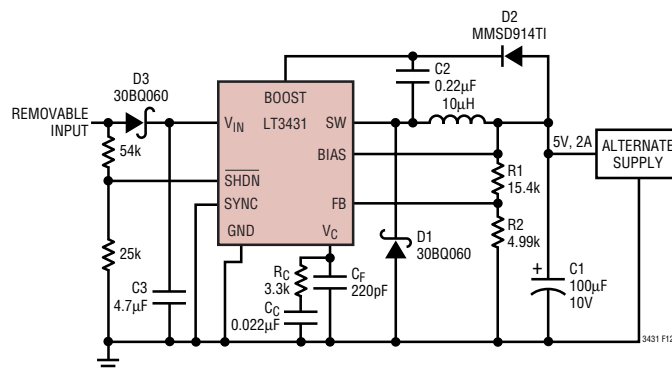


Figure 12. Dual Source Supply with  $25\mu A$  Reverse Leakage

## APPLICATIONS INFORMATION

### BUCK CONVERTER WITH ADJUSTABLE SOFT-START

Large capacitive loads or high input voltages can cause high input currents at start-up. Figure 13 shows a circuit that limits the  $dv/dt$  of the output at start-up, controlling the capacitor charge rate. The buck converter is a typical configuration with the addition of R3, R4,  $C_{SS}$  and Q1. As the output starts to rise, Q1 turns on, regulating switch current via the  $V_C$  pin to maintain a constant  $dv/dt$  at the output. Output rise time is controlled by the current through  $C_{SS}$  defined by R4 and Q1's  $V_{BE}$ . Once the output is in regulation, Q1 turns off and the circuit operates normally. R3 is transient protection for the base of Q1.

$$\text{Rise Time} = \frac{(R4)(C_{SS})(V_{OUT})}{V_{BE}}$$

Using the values shown in Figure 10,

$$\text{Rise Time} = \frac{(47 \cdot 10^3)(15 \cdot 10^{-9})(5)}{0.7} = 5\text{ms}$$

The ramp is linear and rise times in the order of 100ms are possible. Since the circuit is voltage controlled, the ramp rate is unaffected by load characteristics and maximum output current is unchanged. Variants of this circuit can be used for sequencing multiple regulator outputs.

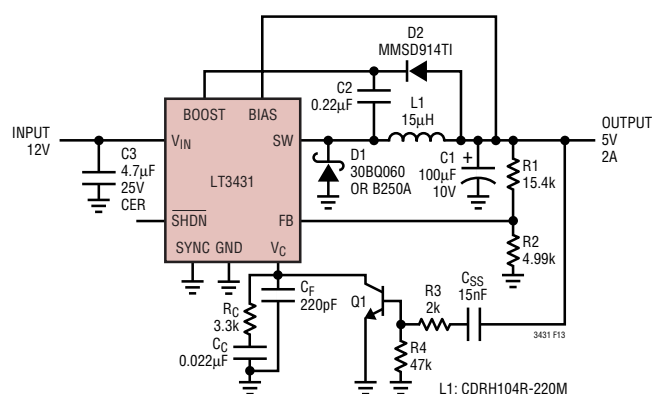


Figure 13. Buck Converter with Adjustable Soft-Start

### Dual Polarity Output Converter

The circuit in Figure 14a generates both positive and negative 5V outputs with all components under 3mm height. The topology for the 5V output is a standard buck converter. The  $-5V$  output uses a second inductor L2, diode D3, and output capacitor C6. The capacitor C4 couples energy to L2 and ensures equal voltages across L2 and L1 during steady state. Instead of using a transformer for L1 and L2, uncoupled inductors were used because they require less height than a single transformer, can be placed separately in the circuit layout for optimized space savings and reduce overall cost. This is true even when the uncoupled inductors are sized (twice the value of inductance of the transformer) in order to keep ripple current comparable to the transformer solution. If a single transformer becomes available to provide a better height /cost solution, refer to the Dual Output SEPIC circuit description in Design Note 100 for correct transformer connection.

During switch on-time, in steady state, the voltage across both L1 and L2 is positive and equal ; with energy (and current) ramping up in each inductor. The current in L2 is provided by the coupling capacitor C4. During switch off-time, current ramps downward in each inductor. The current in L2 and C4 flows via the catch diode D3, charging the negative output capacitor C6. If the negative output is not loaded enough it can go severely unregulated (become more negative). Figure 14b shows the maximum allowable  $-5V$  output load current (vs load current on the 5V output) that will maintain the  $-5V$  output within 3% tolerance. Figure 14c shows the  $-5V$  output voltage regulation versus its own load current when plotted for three separate load currents on the 5V output. The efficiency of the dual polarity output converter circuit shown in Figure 14a is given in Figure 14d.

APPLICATIONS INFORMATION

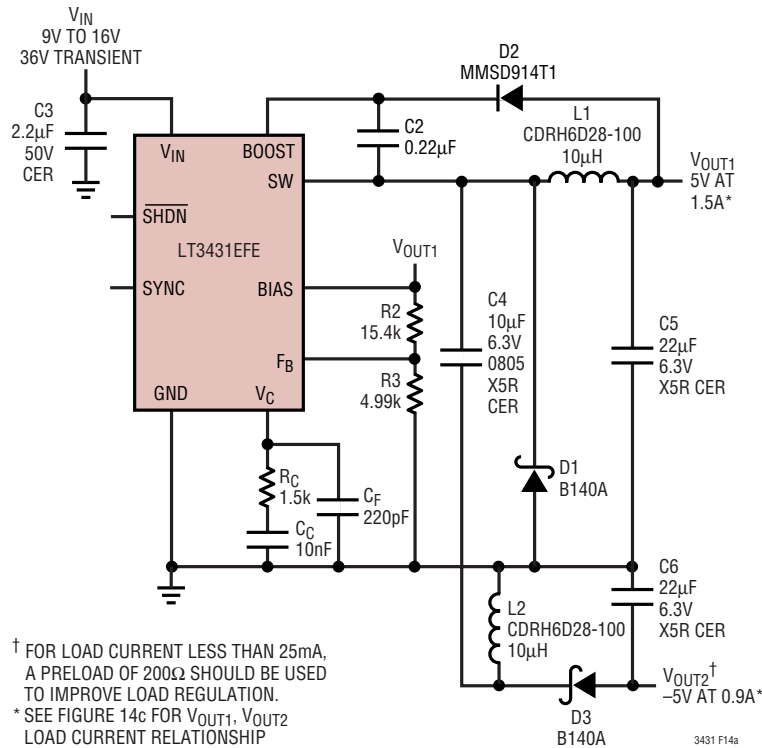


Figure 14a. Dual Polarity Output Converter with all Components Under 3mm Height

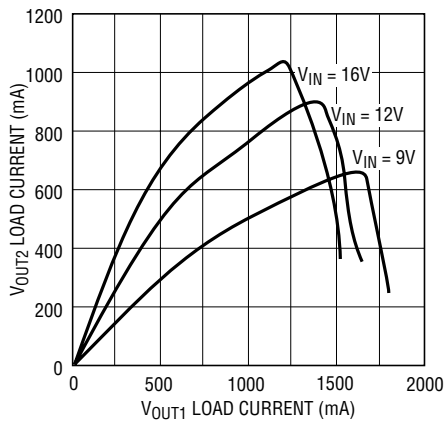


Figure 14b.  $V_{OUT2}$  (-5V) Maximum Allowable Load Current vs  $V_{OUT1}$  (5V) Load Current

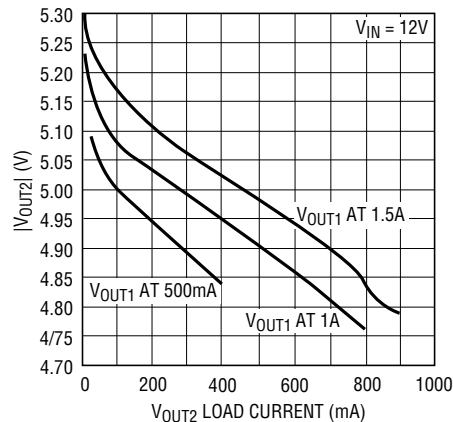


Figure 14c.  $V_{OUT2}$  (-5V) Output Voltage vs Load Current

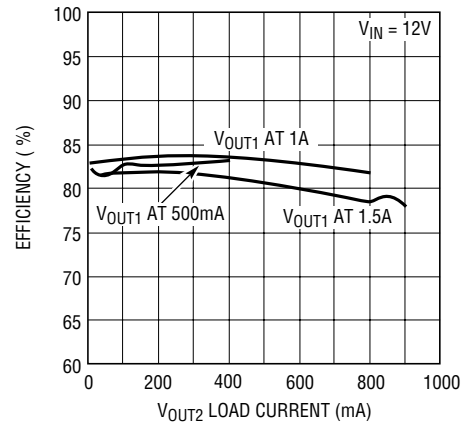


Figure 14d. Dual Polarity Output Converter Efficiency



## APPLICATIONS INFORMATION

### POSITIVE-TO-NEGATIVE CONVERTER

The circuit in Figure 15 is a positive-to-negative topology using a grounded inductor. It differs from the standard approach in the way the IC chip derives its feedback signal because the LT3431 accepts only positive feedback signals. The ground pin must be tied to the regulated negative output. A resistor divider to the FB pin then provides the proper feedback voltage for the chip.

The following equation can be used to calculate maximum load current for the positive-to-negative converter:

$$I_{MAX} = \frac{\left[ I_P - \frac{(V_{IN})(V_{OUT})}{2(V_{OUT} + V_{IN})(f)(L)} \right] (V_{OUT})(V_{IN} - 0.15)}{(V_{OUT} + V_{IN} - 0.15)(V_{OUT} + V_F)}$$

$I_P$  = Maximum rated switch current

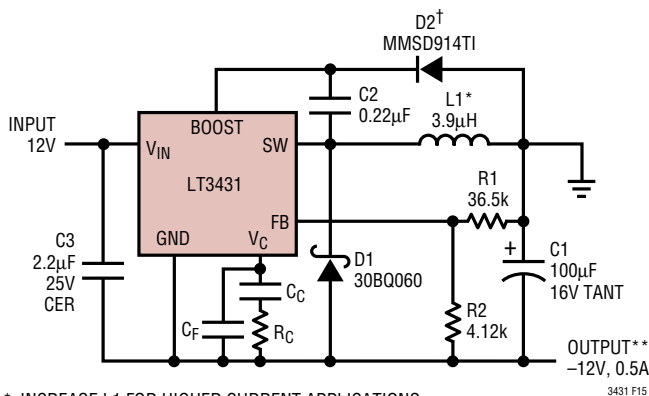
$V_{IN}$  = Minimum input voltage

$V_{OUT}$  = Output voltage

$V_F$  = Catch diode forward voltage

0.15 = Switch voltage drop at 3A

Example: with  $V_{IN(MIN)} = 5.5V$ ,  $V_{OUT} = 12V$ ,  $L = 3.9\mu H$ ,  $V_F = 0.52V$ ,  $I_P = 3A$ :  $I_{MAX} = 0.6A$ .



\* INCREASE L1 FOR HIGHER CURRENT APPLICATIONS.  
SEE APPLICATIONS INFORMATION

\*\* MAXIMUM LOAD CURRENT DEPENDS ON MINIMUM INPUT VOLTAGE AND INDUCTOR SIZE. SEE APPLICATIONS INFORMATION

Figure 15. Positive-to-Negative Converter

### Inductor Value

The criteria for choosing the inductor is typically based on ensuring that peak switch current rating is not exceeded. This gives the lowest value of inductance that can be used, but in some cases (lower output load currents) it may give a value that creates unnecessarily high output ripple voltage.

The difficulty in calculating the minimum inductor size needed is that you must first decide whether the switcher will be in continuous or discontinuous mode at the critical point where switch current reaches 3A. The first step is to use the following formula to calculate the load current above which the switcher must use continuous mode. If your load current is less than this, use the discontinuous mode formula to calculate minimum inductor needed. If load current is higher, use the continuous mode formula.

Output current where continuous mode is needed:

$$I_{CONT} > \sqrt{\frac{(V_{IN})^2 (I_P)^2}{4(V_{IN} + V_{OUT})(V_{IN} + V_{OUT} + V_F)}}$$

Minimum inductor discontinuous mode:

$$L_{MIN} = \frac{2(V_{OUT})(I_{OUT})}{(f)(I_P)^2}$$

Minimum inductor continuous mode:

$$L_{MIN} = \frac{(V_{IN})(V_{OUT})}{2(f)(V_{IN} + V_{OUT}) \left[ I_P - I_{OUT} \left( 1 + \frac{(V_{OUT} + V_F)}{V_{IN}} \right) \right]}$$

For a 12V to -12V converter using the LT3431 with peak switch current of 3A and a catch diode of 0.52V:

$$I_{CONT} = \sqrt{\frac{(12)^2 (3)^2}{4(12 + 12)(12 + 12 + 0.52)}} = 0.742A$$

## APPLICATIONS INFORMATION

For a load current of 0.5A, this says that discontinuous mode can be used and the minimum inductor needed is found from:

$$L_{\text{MIN}} = \frac{2(12)(0.5)}{(500 \cdot 10^3)(3)^2} = 2.7\mu\text{H}$$

In practice, the inductor should be increased by about 30% over the calculated minimum to handle losses and variations in value. This suggests a minimum inductor of 3.5μH for this application.

### Ripple Current in the Input and Output Capacitors

Positive-to-negative converters have high ripple current in the input capacitor. For long capacitor lifetime, the RMS value of this current must be less than the high frequency ripple current rating of the capacitor. The following formula will give an *approximate* value for RMS ripple current. *This formula assumes continuous mode and large inductor value.* Small inductors will give somewhat higher ripple current, especially in discontinuous mode. The exact formulas are very complex and appear in Application Note 44, pages 29 and 30. For our purposes here I have simply added a fudge factor (ff). The value for ff is about 1.2 for higher load currents and  $L \geq 15\mu\text{H}$ . It increases to about 2.0 for smaller inductors at lower load currents.

$$\text{Capacitor } I_{\text{RMS}} = (\text{ff})(I_{\text{OUT}}) \sqrt{\frac{V_{\text{OUT}}}{V_{\text{IN}}}}$$

ff = 1.2 to 2.0

The output capacitor ripple current for the positive-to-negative converter is similar to that for a typical buck regulator—it is a triangular waveform with peak-to-peak value equal to the peak-to-peak triangular waveform of the inductor. The low output ripple design in Figure 15 places the input capacitor between  $V_{\text{IN}}$  and the regulated negative output. This placement of the input capacitor significantly

reduces the size required for the output capacitor (versus placing the input capacitor between  $V_{\text{IN}}$  and ground).

The peak-to-peak ripple current in both the inductor and output capacitor (assuming continuous mode) is:

$$I_{\text{P-P}} = \frac{\text{DC} \cdot V_{\text{IN}}}{f \cdot L}$$

$$\text{DC} = \text{Duty Cycle} = \frac{V_{\text{OUT}} + V_{\text{F}}}{V_{\text{OUT}} + V_{\text{IN}} + V_{\text{F}}}$$

$$I_{\text{COUT}} (\text{RMS}) = \frac{I_{\text{P-P}}}{\sqrt{12}}$$

The output ripple voltage for this configuration is as low as the typical buck regulator based predominantly on the inductor's triangular peak-to-peak ripple current and the ESR of the chosen capacitor (see Output Ripple Voltage in Applications Information).

### Diode Current

*Average* diode current is equal to load current. *Peak* diode current will be considerably higher.

Peak diode current:

Continuous Mode =

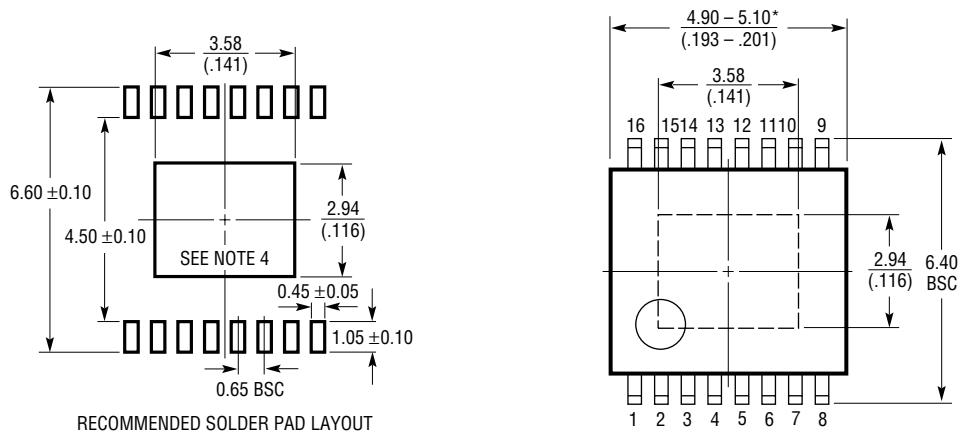
$$I_{\text{OUT}} \frac{(V_{\text{IN}} + V_{\text{OUT}})}{V_{\text{IN}}} + \frac{(V_{\text{IN}})(V_{\text{OUT}})}{2(L)(f)(V_{\text{IN}} + V_{\text{OUT}})}$$

$$\text{Discontinuous Mode} = \sqrt{\frac{2(I_{\text{OUT}})(V_{\text{OUT}})}{(L)(f)}}$$

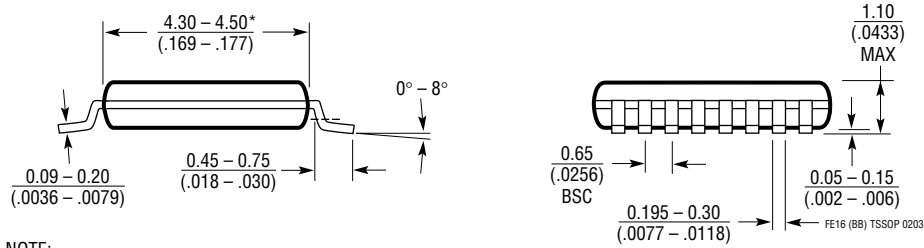
Keep in mind that during start-up and output overloads, average diode current may be much higher than with normal loads. Care should be used if diodes rated less than 1A are used, especially if continuous overload conditions must be tolerated.

**PACKAGE DESCRIPTION**

**FE Package**  
**16-Lead Plastic TSSOP (4.4mm)**  
 (Reference LTC DWG # 05-08-1663,  
 Exposed Pad Variation BB)



RECOMMENDED SOLDER PAD LAYOUT



NOTE:

1. CONTROLLING DIMENSION: MILLIMETERS
  2. DIMENSIONS ARE IN  $\frac{\text{MILLIMETERS}}{\text{(INCHES)}}$
  3. DRAWING NOT TO SCALE
  4. RECOMMENDED MINIMUM PCB METAL SIZE FOR EXPOSED PAD ATTACHMENT
- \*DIMENSIONS DO NOT INCLUDE MOLD FLASH. MOLD FLASH SHALL NOT EXCEED 0.150mm (.006") PER SIDE

## RELATED PARTS

PART NUMBER	DESCRIPTION	COMMENTS
LT1074/LT1074HV	4.4A ( $I_{OUT}$ ), 100kHz, High Efficiency Step-Down DC/DC Converter	$V_{IN} = 7.3V$ to 45/64V, $V_{OUT} = 2.21V$ , $I_Q = 8.5mA$ , $I_{SD} = 10\mu A$ , DD-5/7, TO220-5/7 Packages
LT1076/LT1076HV	1.6A ( $I_{OUT}$ ), 100kHz, High Efficiency Step-Down DC/DC Converter	$V_{IN} = 7.3V$ to 45/64V, $V_{OUT} = 2.21V$ , $I_Q = 8.5mA$ , $I_{SD} = 10\mu A$ , DD-5/7, TO220-5/7 Packages
LT1616	25V, 500mA ( $I_{OUT}$ ), 1.4MHz, High Efficiency Step-Down DC/DC Converter	$V_{IN} = 3.6V$ to 25V, $V_{OUT} = 1.25V$ , $I_Q = 1.9mA$ , $I_{SD} = <1\mu A$ , ThinSOT Package
LT1676	60V, 440mA ( $I_{OUT}$ ), 100kHz, High Efficiency Step-Down DC/DC Converter	$V_{IN} = 7.4V$ to 60V, $V_{OUT} = 1.24V$ , $I_Q = 3.2mA$ , $I_{SD} = 2.5\mu A$ , S8 Package
LTC1701/LTC1701B	700mA ( $I_{OUT}$ ), 1MHz, High Efficiency Step-Down DC/DC Converter	$V_{IN} = 2.5V$ to 5V, $V_{OUT} = 1.25V$ , $I_Q = 135\mu A$ , $I_{SD} = <1\mu A$ , ThinSOT Package
LT1765	25V, 2.75A ( $I_{OUT}$ ), 1.25MHz, High Efficiency Step-Down DC/DC Converter	$V_{IN} = 3V$ to 25V, $V_{OUT} = 1.2V$ , $I_Q = 1mA$ , $I_{SD} = 15\mu A$ , S8, TSSOP16E Packages
LT1766	60V, 1.2A ( $I_{OUT}$ ), 200kHz, High Efficiency Step-Down DC/DC Converter	$V_{IN} = 5.5V$ to 60V, $V_{OUT} = 1.2V$ , $I_Q = 2.5mA$ , $I_{SD} = 25\mu A$ , TSSOP16/E Package
LT1767	25V, 1.2A ( $I_{OUT}$ ), 1.25MHz, High Efficiency Step-Down DC/DC Converter	$V_{IN} = 3V$ to 25V; $V_{OUT} = 1.2V$ , $I_Q = 1mA$ , $I_{SD} = 6\mu A$ , MS8/E Packages
LT1776	40V, 550mA ( $I_{OUT}$ ), 200kHz, High Efficiency Step-Down DC/DC Converter	$V_{IN} = 7.4V$ to 40V; $V_{OUT} = 1.24V$ , $I_Q = 3.2mA$ , $I_{SD} = 30\mu A$ , N8, S8 Packages
LTC1875	1.5A ( $I_{OUT}$ ), 550kHz, Synchronous Step-Down DC/DC Converter	$V_{IN} = 2.7V$ to 6V; $V_{OUT} = 0.8V$ , $I_Q = 15\mu A$ , $I_{SD} = <1\mu A$ , TSSOP16 Package
LTC1877	600mA ( $I_{OUT}$ ), 550kHz, Synchronous Step-Down DC/DC Converter	$V_{IN} = 2.7V$ to 10V; $V_{OUT} = 0.8V$ , $I_Q = 10\mu A$ , $I_{SD} = <1\mu A$ , MS8 Package
LTC1879	1.2A ( $I_{OUT}$ ), 550kHz, Synchronous Step-Down DC/DC Converter	$V_{IN} = 2.7V$ to 10V; $V_{OUT} = 0.8V$ , $I_Q = 15\mu A$ , $I_{SD} = <1\mu A$ , TSSOP16 Package
LT1956	60V, 1.2A ( $I_{OUT}$ ), 500kHz, High Efficiency Step-Down DC/DC Converter	$V_{IN} = 5.5V$ to 60V, $V_{OUT} = 1.2V$ , $I_Q = 2.5mA$ , $I_{SD} = 25\mu A$ , TSSOP16/E Package
LTC3404	600mA ( $I_{OUT}$ ), 1.4MHz, Synchronous Step-Down DC/DC Converter	$V_{IN} = 2.7V$ to 6V, $V_{OUT} = 0.8V$ , $I_Q = 10\mu A$ , $I_{SD} = <1\mu A$ , MS8 Package
LTC3405/LTC3405A	300mA ( $I_{OUT}$ ), 1.5MHz, Synchronous Step-Down DC/DC Converter	$V_{IN} = 2.7V$ to 6V, $V_{OUT} = 0.8V$ , $I_Q = 20\mu A$ , $I_{SD} = <1\mu A$ , ThinSOT Package
LTC3406/LTC3406B	600mA ( $I_{OUT}$ ), 1.5MHz, Synchronous Step-Down DC/DC Converter	$V_{IN} = 2.5V$ to 5.5V, $V_{OUT} = 0.6V$ , $I_Q = 20\mu A$ , $I_{SD} = <1\mu A$ , ThinSOT Package
LTC3411	1.25A ( $I_{OUT}$ ), 4MHz, Synchronous Step-Down DC/DC Converter	$V_{IN} = 2.5V$ to 5.5V, $V_{OUT} = 0.8V$ , $I_Q = 60\mu A$ , $I_{SD} = <1\mu A$ , MS Package
LTC3412	2.5A ( $I_{OUT}$ ), 4MHz, Synchronous Step-Down DC/DC Converter	$V_{IN} = 2.5V$ to 5.5V, $V_{OUT} = 0.8V$ , $I_Q = 60\mu A$ , $I_{SD} = <1\mu A$ , TSSOP16E Package
LT3430	60V, 2.75A ( $I_{OUT}$ ), 200kHz, High Efficiency Step-Down DC/DC Converter	$V_{IN} = 5.5V$ to 60V, $V_{OUT} = 1.2V$ , $I_Q = 2.5mA$ , $I_{SD} = 30\mu A$ , TSSOP16E Package

ThinSOT is a trademark of Linear Technology Corporation.

# Mouser Electronics

Authorized Distributor

Click to View Pricing, Inventory, Delivery & Lifecycle Information:

[Analog Devices Inc.:](#)

[LT3431EFE#PBF](#) [LT3431EFE#TRPBF](#) [LT3431IFE#TRPBF](#) [LT3431IFE#PBF](#)