

Technical Data Sheet

Photovoltaic (PVP) Enclosed Switchgear Range

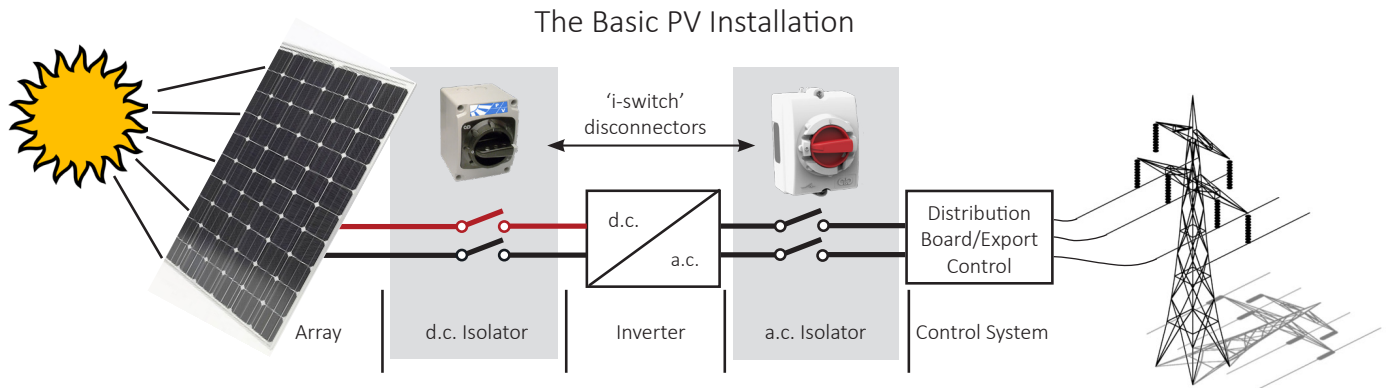
CDPD237
Issue 1

Photovoltaic (PV) Enclosed Switchgear

Solar power is an environmentally friendly method of producing electricity and is achieved using Photovoltaic (PV) cells that capture sunlight and convert it to electricity. By combining cells into an array, different voltages and current combinations can be achieved.

Once installed an array will continue to generate voltage and current and it is therefore essential to isolate the array in the event of a fault or for maintenance purposes. To enable this Craig & Derricott have developed a range of DC switch-disconnectors to manage this specific application.

*1 Designed to isolate twin arrays



Switch-Disconnectors (O-I)									
Image	Rating	Format	Cat. No.	Internal Switch	Encl. Size	Enclosure	Max. enclosure depth with SSH18 shaft	H1	H2
	16A	DC 2P	PVP162	SPV162	A	IP65 PA / ABS Light Grey RAL 7035	248	50.5	28
		DC 4P	PVP164	SPV164	B		270	72.5	50
		Twin Array DC 2x 2P	PVP1622*1	SPV1622*1			270	72.5	50
	25A	DC 2P	PVP252	SPV252	A	IP65 PA / ABS Light Grey RAL 7035	248	50.5	28
		DC 3P	PVP253	SPV253			259	61.5	39
		DC 4P	PVP254	SPV254	B		270	72.5	50
		Twin Array DC 2x 2P	PVP2522*1	SPV2522*1			270	72.5	50
	32A	DC 2P	PVP322	SPV322	A	IP65 PA / ABS Light Grey RAL 7035	248	50.5	28
		DC 3P	PVP323	SPV323			259	61.5	39
		DC 4P	PVP324	SPV324	B		270	72.5	50
		Twin Array DC 2x 2P	PVP3222*1	SPV3222*1			270	72.5	50
	40A	DC 2P	PVP402	SPV402	A	IP65 PA / ABS Light Grey RAL 7035	248	50.5	28
		DC 3P	PVP403	SPV403			259	61.5	39
		DC 4P	PVP404	SPV404	B		270	72.5	50
		Twin Array DC 2x 2P	PVP4022*1	SPV4022*1			270	72.5	50

Technical Data Sheet

Photovoltaic (PVP) Enclosed Switchgear Range

CDPD237
Issue 1

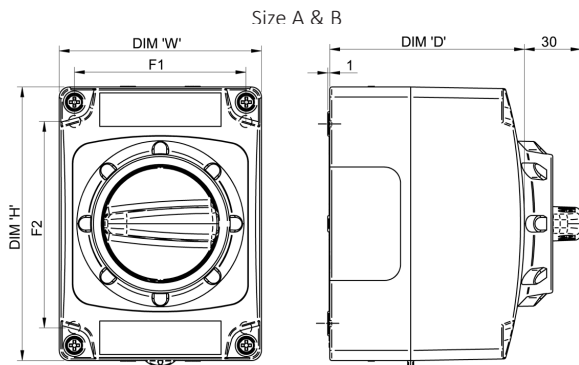
Technical Specification

Data supplied against tests to IEC/BS EN 60947-3.

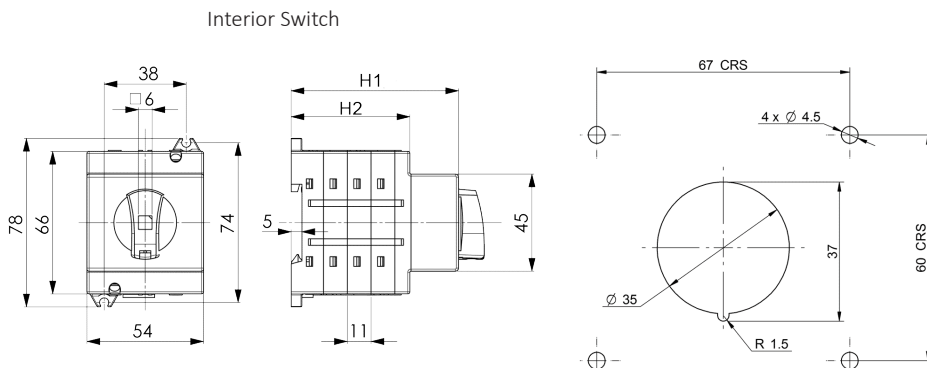
2 Pollution Degree 2

Cat. No.		Rated Operational Voltage d.c.						
		300/400V	600V	800V	1,000V	1,200V ²	1,500V ²	
EPV162	Rated Operational Current (DC21B)	16A	16A	16A	16A	-	-	
PVP164		-	-	-	-	16A	16A	
EPV252		25A	25A	25A	16A	-	-	
EPV253		-	-	-	25A	-	-	
PVP254		-	-	-	-	20A	16A	
EPV322		32A	32A	-	-	-	-	
EPV323		-	-	32A	32A	-	-	
PVP324		-	-	-	-	25A	20A	
EPV402		40A	-	-	-	-	-	
EPV403		-	40A	40A	-	-	-	
PVP404		-	-	-	40A	32A	25A	
PVP1622		Rated Operational Current (DC21B)	16A	16A	16A	16A	-	-
PVP2522			25A	25A	25A	16A	-	-
PVP3222	32A		32A	-	-	-	-	
PVP4022	40A		-	-	-	-	-	

Dimensions



Encl. Size	Overall Dims.			Fixing details			Knockouts		
	H	W	D	F1	F2	∅	Top	Btm	Back
A	135	100	95	85	98.5	5.5	2x M20	2x M20	2x M20
B	175	130	115	115	135	5.5	2x Combination M20 / M25		2x M20



Cat. No.	H1	H2
SPV162	50.5	28
SPV164	72.5	50
SPV1622*1	72.5	50
SPV252	50.5	28
SPV253	61.5	39
SPV254	72.5	50
SPV2522*1	72.5	50
SPV322	50.5	28
SPV323	61.5	39
SPV324	72.5	50
SPV322*1	72.5	50
SPV402	50.5	28
SPV403	61.5	39
SPV404	72.5	50
SPV4022*1	72.5	50