

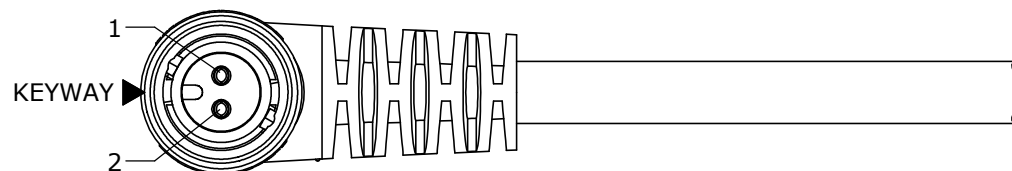
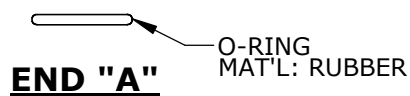
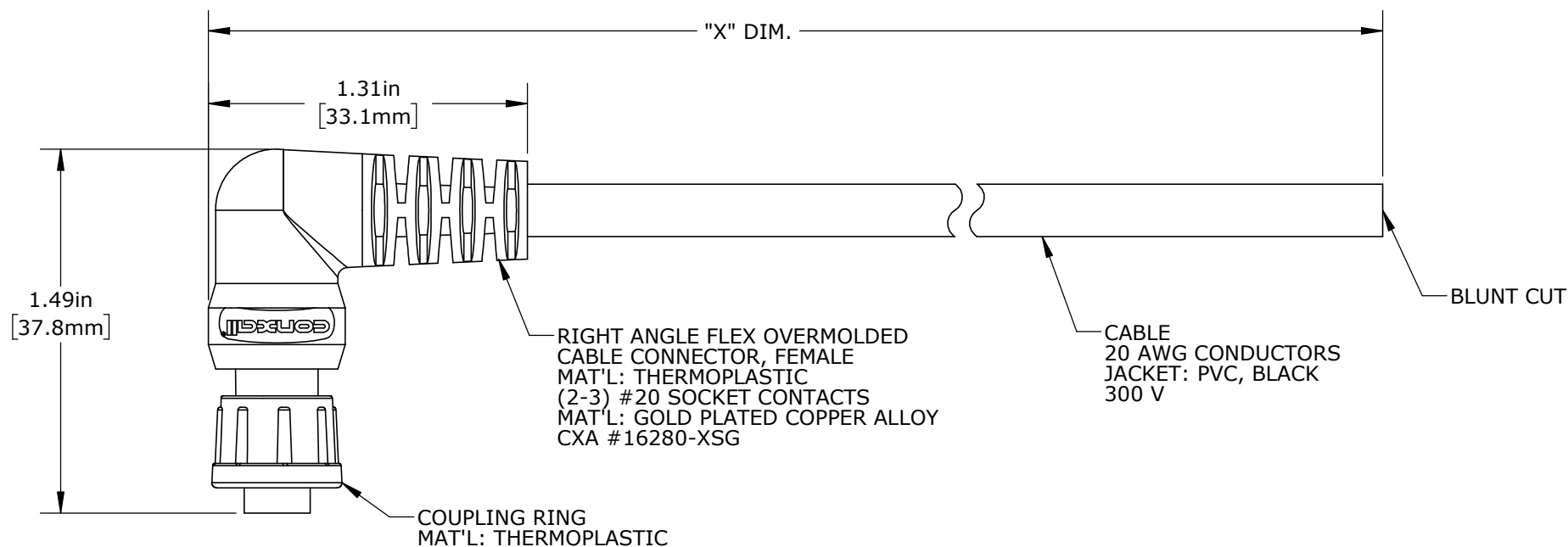
CUSTOMER PRINT

PART NUMBER: CARA16280XSXXX90

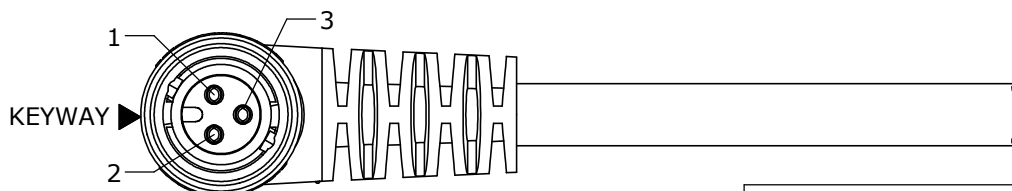
- NOTES:  
 1. FINISHED CABLE ASSEMBLY TO BE COILED  
 2. OVERMOLD BOOT MATERIAL: PVC, BLACK  
 3. ELECTRICAL TEST: 100% CONTINUITY

| ASS'Y P/N        | NO. OF POSITION | "X" DIM.                 |
|------------------|-----------------|--------------------------|
| CARA162802S07990 | 2 POS.          | 6 FT. 7 IN. ± 2 IN. [2M] |
| CARA162803S07990 | 3 POS.          |                          |
| CARA16280XSXXX90 |                 |                          |

CABLE LENGTH IN "INCHES"  
 NO OF POSITIONS



**FACE VIEW**  
 P/N: CARA162802SXXX90



**FACE VIEW**  
 P/N: CARA162803SXXX90

DIMENSIONS IN BRACKET [ ] ARE METRIC.

**CUSTOMER APPROVAL**  
 THIS DOCUMENT CONTAINS CONFIDENTIAL INFORMATION PROPRIETARY TO CONXALL CORPORATION. ANY REPRODUCTION, DISCLOSURE, OR USE OF THIS DOCUMENT /INFORMATION IS EXPRESSLY PROHIBITED UNLESS AUTHORIZED IN WRITING BY CONXALL CORPORATION.  
 APPROVED BY: \_\_\_\_\_  
 DATE: \_\_\_\_\_

**RoHS COMPLIANT**

| ASSY P/N         | CABLE                      | COLOR CODE END "A" |        |        |
|------------------|----------------------------|--------------------|--------|--------|
| CARA162802SXXX90 | 2/20 AWG<br>O.D. 0.215 REF | COLOR CODE         |        |        |
|                  |                            | POS. 1             | POS. 2 |        |
|                  |                            | BLK                | WHT    |        |
| CARA162803SXXX90 | 3/20 AWG<br>O.D. 0.220 REF | WIRE COLOR CODE    |        |        |
|                  |                            | POS. 1             | POS. 2 | POS. 3 |
|                  |                            | BLK                | WHT    | GRN    |
|                  |                            |                    |        |        |

| REV. | INIT. | DATE     | DESCRIPTION                             |
|------|-------|----------|---|
| B    | AB    | 11-03-20 | NEW FLEX OVERMOLD PER DOR 19-SQ104238JS |
| A    | AN    | 11-07-16 | DRAWING CREATED PER DOR 16-7663JP       |

|  |  |   |
|--|--|---|
| ALL INFORMATION ILLUSTRATED IS THE PROPERTY OF "CONXALL CORPORATION". UNAUTHORIZED DUPLICATION OR DISTRIBUTION OF THIS DOCUMENT IS PROHIBITED. | ORIG. DRAWN BY: AN<br>DATE: 11-07-16<br>CHECKED BY:  | <br>601 E. WILDWOOD VILLA PARK, IL 60181  |
| ALL UNITS ARE IN FEET, INCHES, FRACTIONS OF INCHES AND DECIMALS.   | APPROVED BY:<br>TITLE: CABLE ASSEMBLY (2-3) #20 SOCKET CONTACTS MICRO-CON-X, R ANGLE STANDARD PRODUCT<br>CUSTOMER: |   |
| FILE: CARA16280XSXXX90   | DIRECTORY: SLW   | SCALE: NTS<br>SIZE: B<br>SHEET: 1 OF 1<br>PART NUMBER: CARA16280XSXXX90<br>REV: B |

# Mouser Electronics

Authorized Distributor

Click to View Pricing, Inventory, Delivery & Lifecycle Information:

[Switchcraft:](#)

[CARA162803S07990](#) [CARA162802S07990](#)