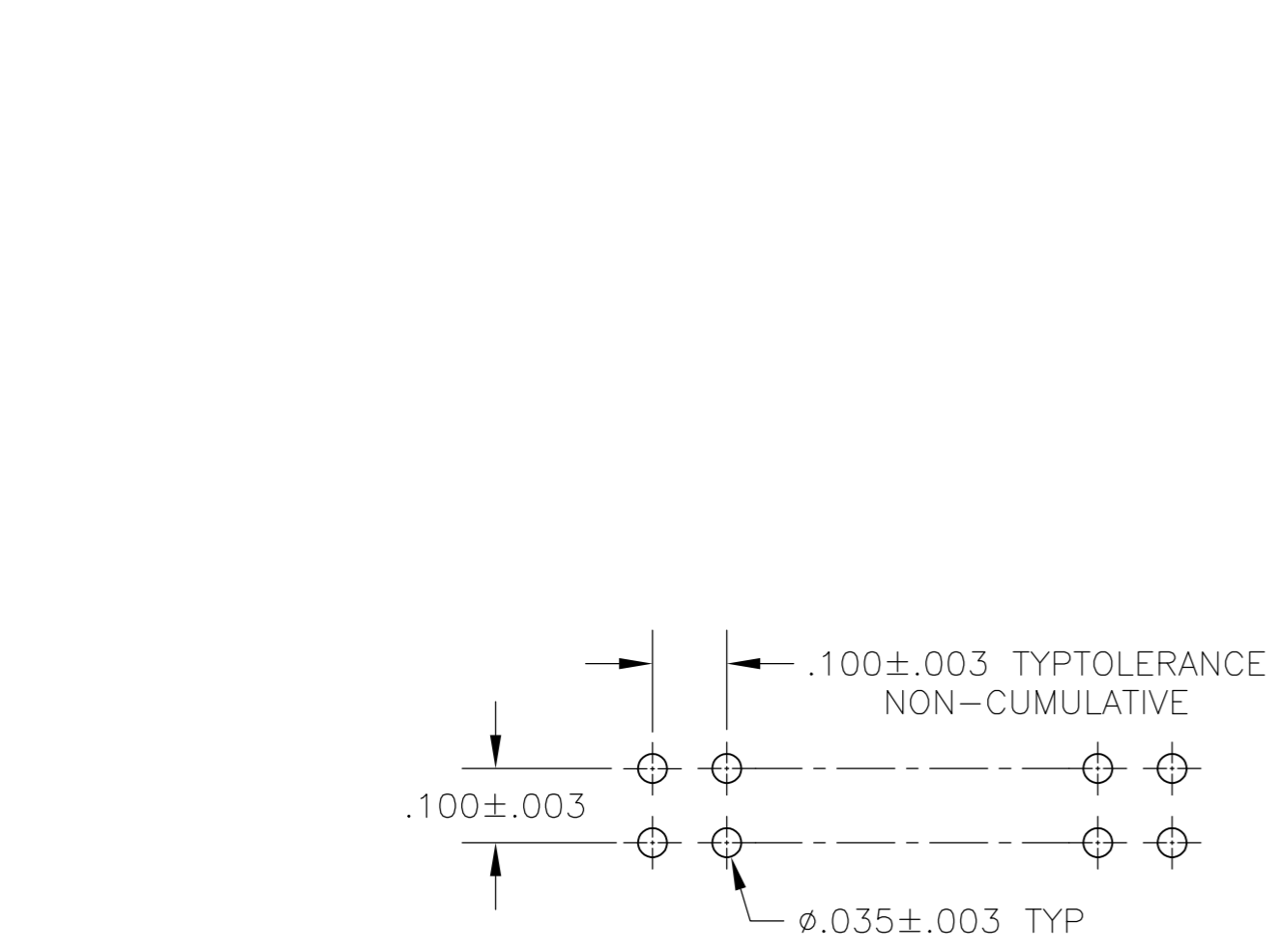
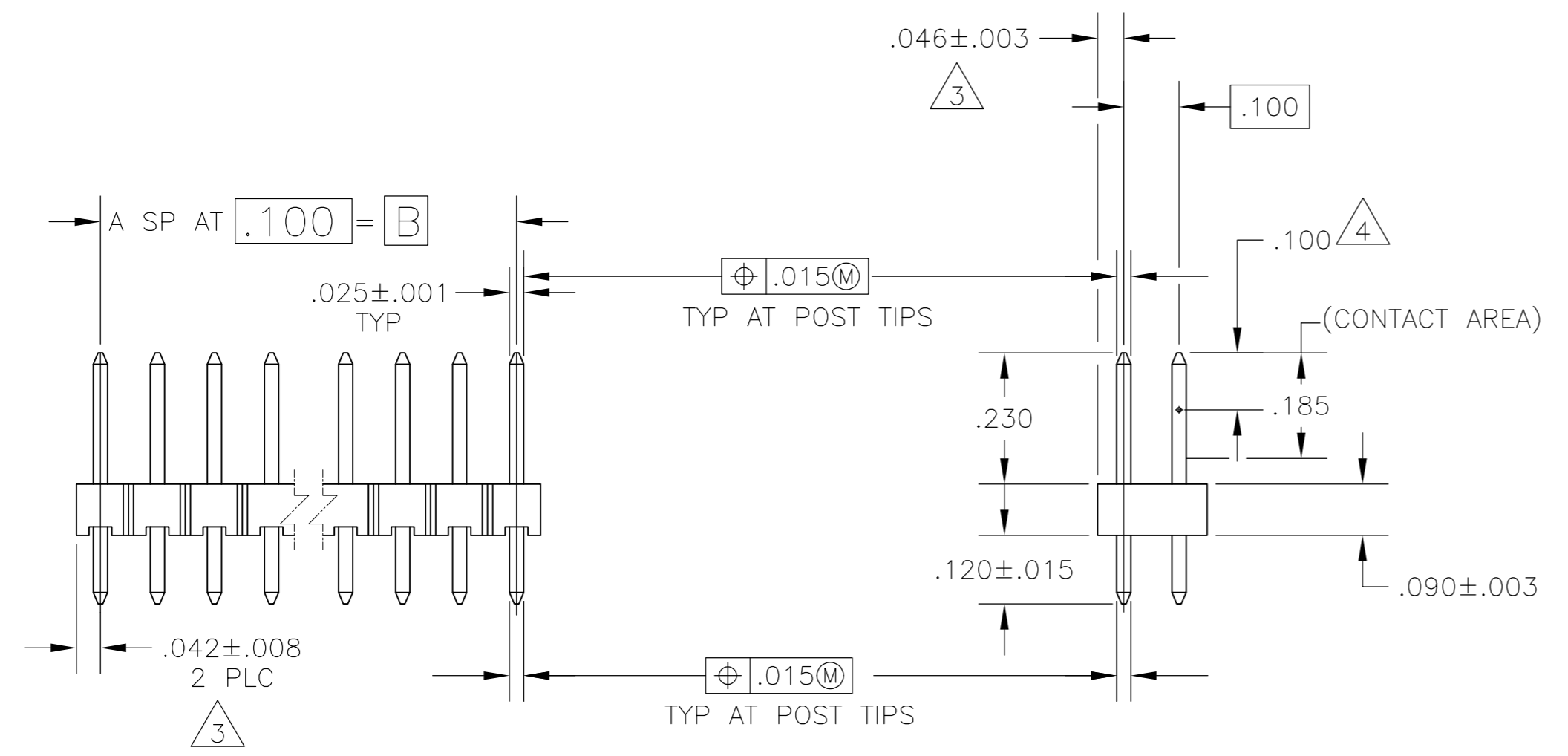
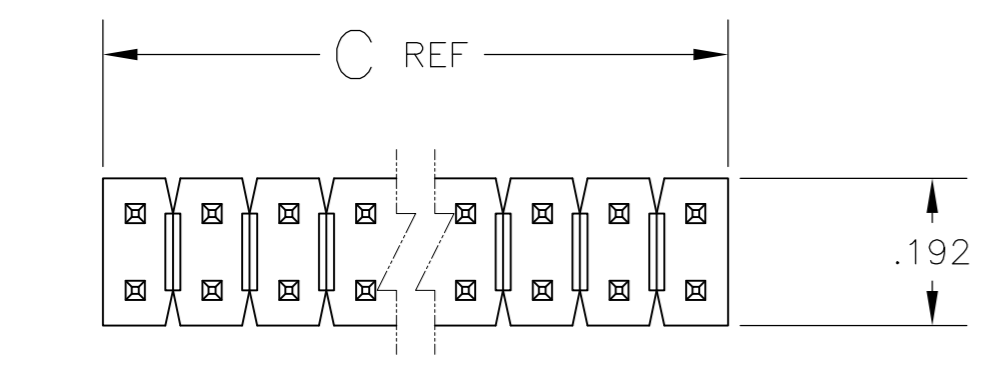


THIS DRAWING IS UNPUBLISHED. RELEASED FOR PUBLICATION
 © COPYRIGHT - By - ALL RIGHTS RESERVED.

| REVISIONS | | | | | |
|-----------|-----|---------------------------|-----------|-----|------|
| P | LTR | DESCRIPTION | DATE | DWN | APVD |
| | J1 | REVISED PER ECO-16-012733 | 07SEP2016 | NK | MM |

- 1 ASSEMBLY MAY BE BROKEN TO THE DESIRED NUMBER OF POSITIONS.
- 2 TRUE POSITION TOLERANCE OF THE POST TIPS APPLIES WHEN THE HEADER IS HELD FLAT AGAINST THE PRINTED CIRCUIT BOARD.
- 3 THE NOTED DIMENSIONS APPLY AT THE INTERSECTION OF THE POST AND HOUSING.
- 4 POINT OF MEASUREMENT FOR PLATING THICKNESS.
- 5 PART INDICATED IS PACKAGED IN "SINGLE TUBES".
- 6 OBSOLETE PARTS: OBSOLETE CIS STREAMLINING PER D.RENAUD/D.SINISI.



RECOMMENDED HOLE LAYOUT

| 6 | DESCRIPTION | 5 | 1.284 | 1.200 | 12 | 26 | 4-103186-1 |
|---|--------------------------|---|-------|-------|------------|-------------|------------|
| | | | 3.984 | 3.900 | 39 | 80 | 4-103186-0 |
| 6 | OBSOLETE | | 3.884 | 3.800 | 38 | 78 | 3-103186-9 |
| 6 | OBSOLETE | | 3.784 | 3.700 | 37 | 76 | 3-103186-8 |
| 6 | OBSOLETE | | 3.684 | 3.600 | 36 | 74 | 3-103186-7 |
| | | | 3.584 | 3.500 | 35 | 72 | 3-103186-6 |
| | | | 3.484 | 3.400 | 34 | 70 | 3-103186-5 |
| 6 | OBSOLETE | | 3.384 | 3.300 | 33 | 68 | 3-103186-4 |
| 6 | OBSOLETE | | 3.284 | 3.200 | 32 | 66 | 3-103186-3 |
| | | | 3.184 | 3.100 | 31 | 64 | 3-103186-2 |
| 6 | OBSOLETE | | 3.084 | 3.000 | 30 | 62 | 3-103186-1 |
| 6 | SUPERSEDED BY 8-146256-0 | | 2.984 | 2.900 | 29 | 60 | 3-103186-0 |
| 6 | OBSOLETE | | 2.884 | 2.800 | 28 | 58 | 2-103186-9 |
| 6 | OBSOLETE | | 2.784 | 2.700 | 27 | 56 | 2-103186-8 |
| 6 | OBSOLETE | | 2.684 | 2.600 | 26 | 54 | 2-103186-7 |
| 6 | OBSOLETE | | 2.584 | 2.500 | 25 | 52 | 2-103186-6 |
| 6 | OBSOLETE | | 2.484 | 2.400 | 24 | 50 | 2-103186-5 |
| | | | 2.384 | 2.300 | 23 | 48 | 2-103186-4 |
| 6 | OBSOLETE | | 2.284 | 2.200 | 22 | 46 | 2-103186-3 |
| 6 | OBSOLETE | | 2.184 | 2.100 | 21 | 44 | 2-103186-2 |
| 6 | OBSOLETE | | 2.084 | 2.000 | 20 | 42 | 2-103186-1 |
| | | | 1.984 | 1.900 | 19 | 40 | 2-103186-0 |
| 6 | OBSOLETE | | 1.884 | 1.800 | 18 | 38 | 1-103186-9 |
| 6 | OBSOLETE | | 1.784 | 1.700 | 17 | 36 | 1-103186-8 |
| | | | 1.684 | 1.600 | 16 | 34 | 1-103186-7 |
| | | | 1.584 | 1.500 | 15 | 32 | 1-103186-6 |
| | | | 1.484 | 1.400 | 14 | 30 | 1-103186-5 |
| 6 | OBSOLETE | | 1.384 | 1.300 | 13 | 28 | 1-103186-4 |
| | | | 1.284 | 1.200 | 12 | 26 | 1-103186-3 |
| | | | 1.184 | 1.100 | 11 | 24 | 1-103186-2 |
| 6 | OBSOLETE | | 1.084 | 1.000 | 10 | 22 | 1-103186-1 |
| | | | .984 | .900 | 9 | 20 | 1-103186-0 |
| | | | .884 | .800 | 8 | 18 | 103186-9 |
| | | | .784 | .700 | 7 | 16 | 103186-8 |
| | | | .684 | .600 | 6 | 14 | 103186-7 |
| | | | .584 | .500 | 5 | 12 | 103186-6 |
| | | | .484 | .400 | 4 | 10 | 103186-5 |
| | | | .384 | .300 | 3 | 8 | 103186-4 |
| | | | .284 | .200 | 2 | 6 | 103186-3 |
| | | | .184 | .100 | 1 | 4 | 103186-2 |
| | | | .084 | — | — | 2 | 103186-1 |
| | REMARKS | C | B | A | NO OF POSN | PART NUMBER | |

| | | | | | | |
|--|--|-----------------------------|---|--------------------|------------------------|---------------|
| THIS DRAWING IS A CONTROLLED DOCUMENT. | | DWN H MOLL 13OCT87 | TE Connectivity | | | |
| DIMENSIONS: INCHES | | CHK T. CLARK 20OCT87 | | | | |
| TOLERANCES UNLESS OTHERWISE SPECIFIED: | | APVD T. CLARK 20OCT87 | NAME | | | |
| 0 PLC ± - 1 PLC ± - 2 PLC ± - 3 PLC ± .005 4 PLC ± - ANGLES ± - | | PRODUCT SPEC | HEADER ASSY, MOD II, BREAKAWAY, DOUBLE ROW, .100X.100 C, VERTICAL, WITH .025 SQ POSTS | | | |
| MATERIAL HOUSING: FLAME RETARDANT THERMOPLASTIC; COLOR-BLACK POST: COPPER ALLOY | | APPLICATION SPEC | SIZE A2 | CAGE CODE 00779 | DRAWING NO C=103186 | RESTRICTED TO |
| FINISH POST: .00015 GOLD ON CONTACT .00100-.00200 MATTE TIN-LEAD ON SOLDER TAIL ALL OVER .00050 NICKEL | | WEIGHT | SCALE 4:1 | SHEET 1 of 1 | REV J1 | |
| CUSTOMER DRAWING | | | | | | |

Mouser Electronics

Authorized Distributor

Click to View Pricing, Inventory, Delivery & Lifecycle Information:

[TE Connectivity:](#)

[103186-7](#)