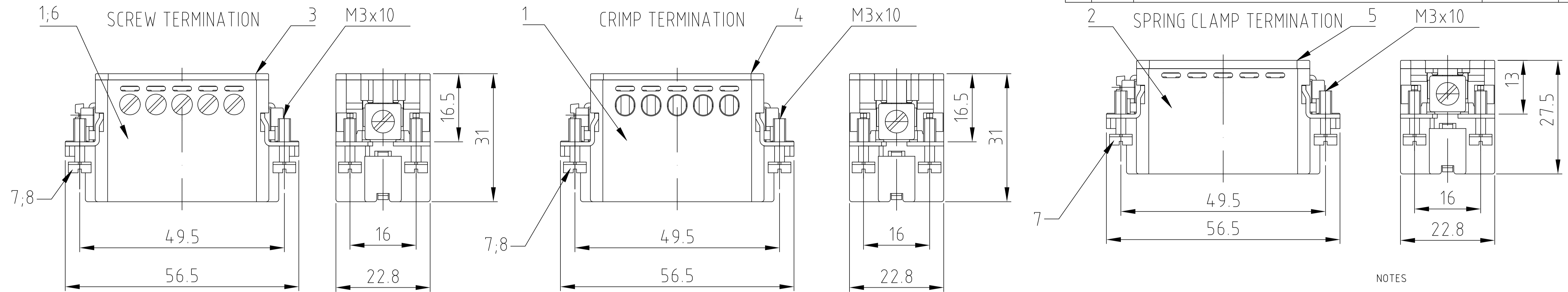


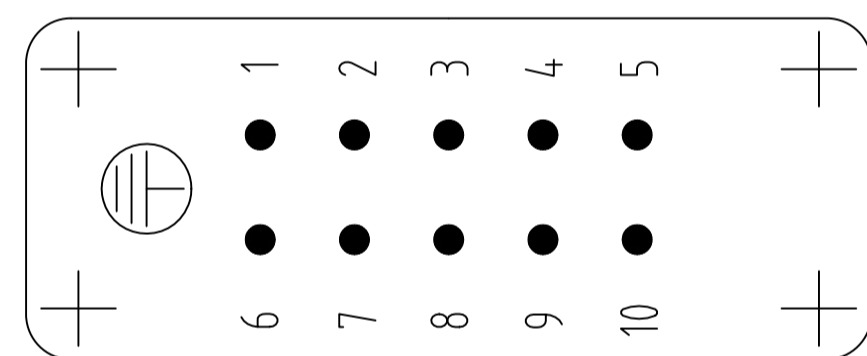
P	LTR	DESCRIPTION BESCHREIBUNG	DATE	DWN	APVD
D3	ECR-16-009336		08DEC16	GCM	MKO
D4	ECR-17-009069		09FEB2018	SG	MKO



NOTES

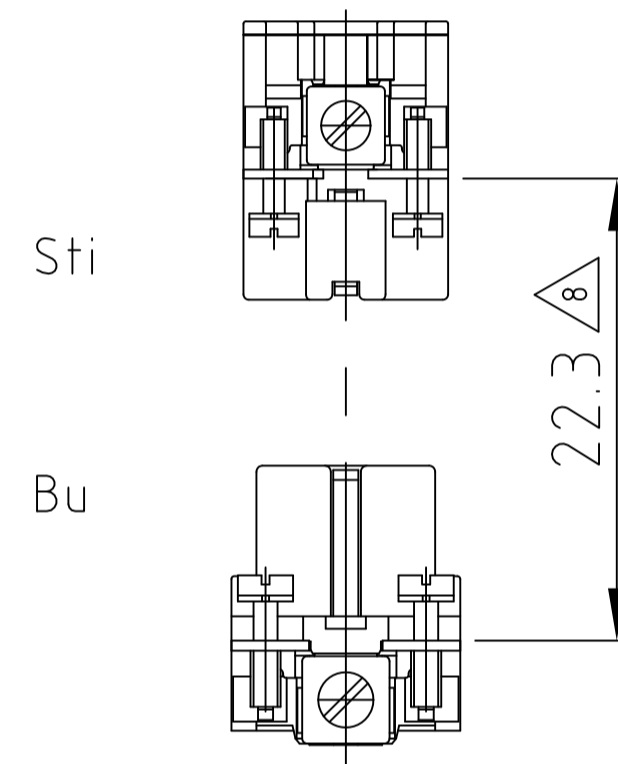
- 1 SUITABLE CRIMP CONTACTS: SERIES HE/HA
OUTER DIMENSIONS OF INSULATION: MAX. Ø3,2 MM
- 2 SUITABLE HOOD SIZE 2: SERIES HA; HD
SUITABLE INSERTION AND EXTRACTION TOOL:
SCREWDRIVER 0,5x3 DIN 5264
- 3 Strip length: Screw conection 10mm
Spring clamp conection 10mm Crimp conection 7.5mm
- 4 STANDARDS:
DIN EN 61984; DIN EN 60664-1
- 5 PACKAGING
10 SETS IN A CARTON, PRE-MOUNTED
- 6 SPECIAL PACKAGING
200 PIECES IN A KANN-BAN BOT
- 7 SPECIAL PACKAGING
100 PIECES IN A KANN-BAN BOT

Contact arrangement / view from termination side

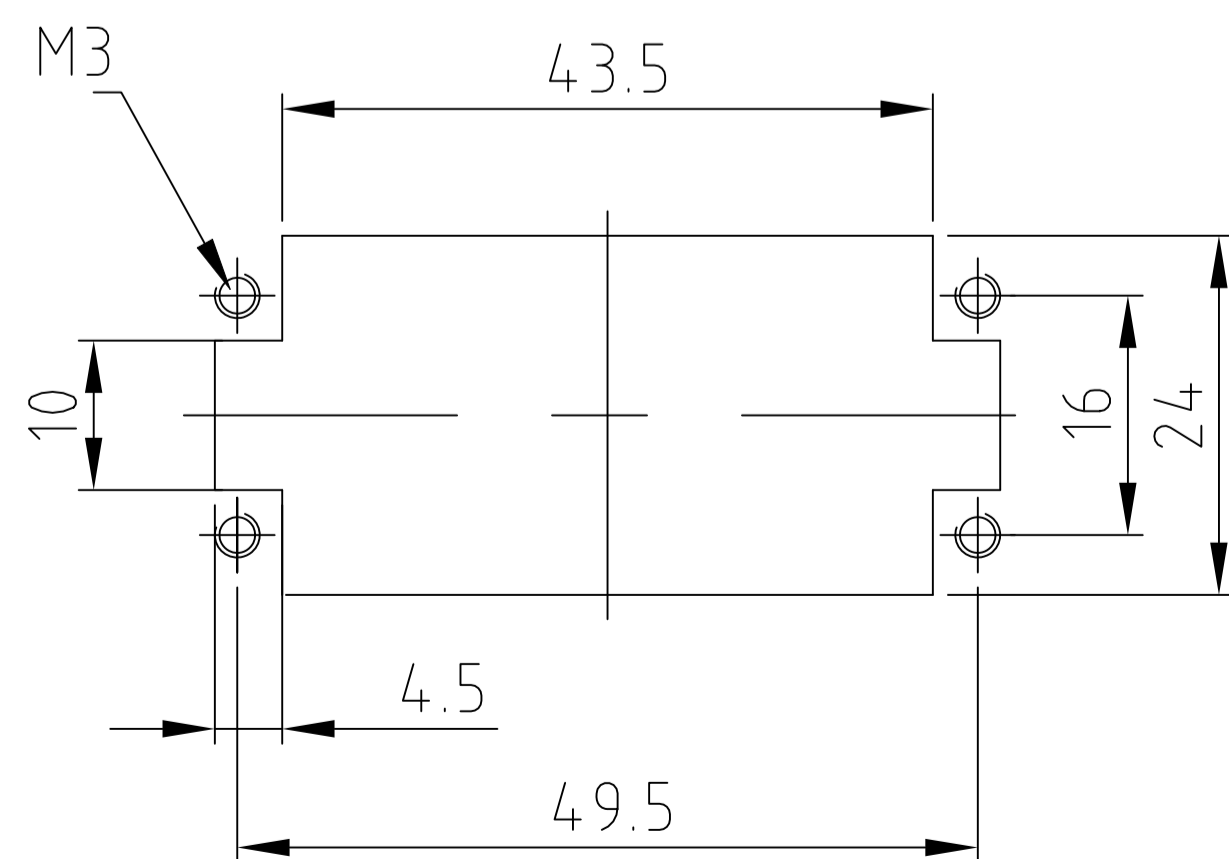


Assembling instruction

△ distance for safety
contact marking max. 24 mm



Panel cut-out for contact insert
when used without housing



HA.10.Sti.S-WIE	HA.10.Sti.C-OBS	HA.10.Sti.S-KM	HA.10.Sti.S-OBS	HA.10.Sti.S-VA	HA.10.Sti.S-AU	HA.10.Sti.C-VA	HA.10.Sti.SC	HA.10.Sti.C	HA.10.Sti.S
4	4		4	4	4	4	4	4	4
			1				1		
	1							1	
1	1	1	1	1				1	
							1		
1	1	1	1	1				1	1
1-2	1-0	0-9	0-8	0-4	0-6	0-5	7-1	2-3	1-1

DESCRIPTION / BENENNUNG	MATERIAL	Oberfläche	COLOR / FARBE	ITEM NO. POS.	REMARKS / BEMERKUNGEN
fixing screw	stainl.steel	blank		8	M3x10
fixing screw	steel	nickel plated	blue	7	M3x10
pin insert screw		PBT	hellbeige	6	with AU-contacts
cover spring strain clip		PBT	hellbeige	5	
cover crimp		PBT	helbeige	4	
cover screw		PBT	hellbeige	3	
pin insert spring strain clip		PBT	helbeige	2	
pin insert screw		PBT	helbeige	1	

ORDERING TEXT / BESTELLTEXT	THIS DRAWING IS A CONTROLLED DOCUMENT. DIESE ZEICHNUNG IST EIN KONTROLLIERTES DOKUMENT.		DWN 08.02.2000 Schneider	TE Connectivity	
	DIMENSIONS: MASSEINHEITEN: mm		CHK 08.02.2000 Schweiger		
	TOLERANCES UNLESS OTHERWISE SPECIFIED: ALLGEMEINTOLERANZEN		APVD -	NAME	
	0 PLC ± 1 PLC ± 2 PLC ± 3 PLC ± 4 PLC ± ANGLES / WINKEL ±		PRODUCT SPEC PRODUKTSPEZ. 108-74007	Pin insert Stifteinsatz HA.10.Sti	
MATERIAL	FINISH/OBERFLAECHE/FARBE	WEIGHT GEWICHT	APPLICATION SPEC VERARBEITUNGSSPEZ. 114-74009	SIZE A3	CAGE CODE 00779
CUSTOMER DRAWING/KUNDENZEICHNUNG			DRAWING NO ZEICHNUNGS-NR. C=1103414	RESTRICTED TO NUR FUER	
SCALE MASSSTAB 1:1			SHEET BLATT 1 OF 1	REV D4	

Mouser Electronics

Authorized Distributor

Click to View Pricing, Inventory, Delivery & Lifecycle Information:

[TE Connectivity:](#)

[1-1103414-1](#)