

THIS DRAWING IS UNPUBLISHED.

RELEASED FOR PUBLICATION

APRIL , 2004.

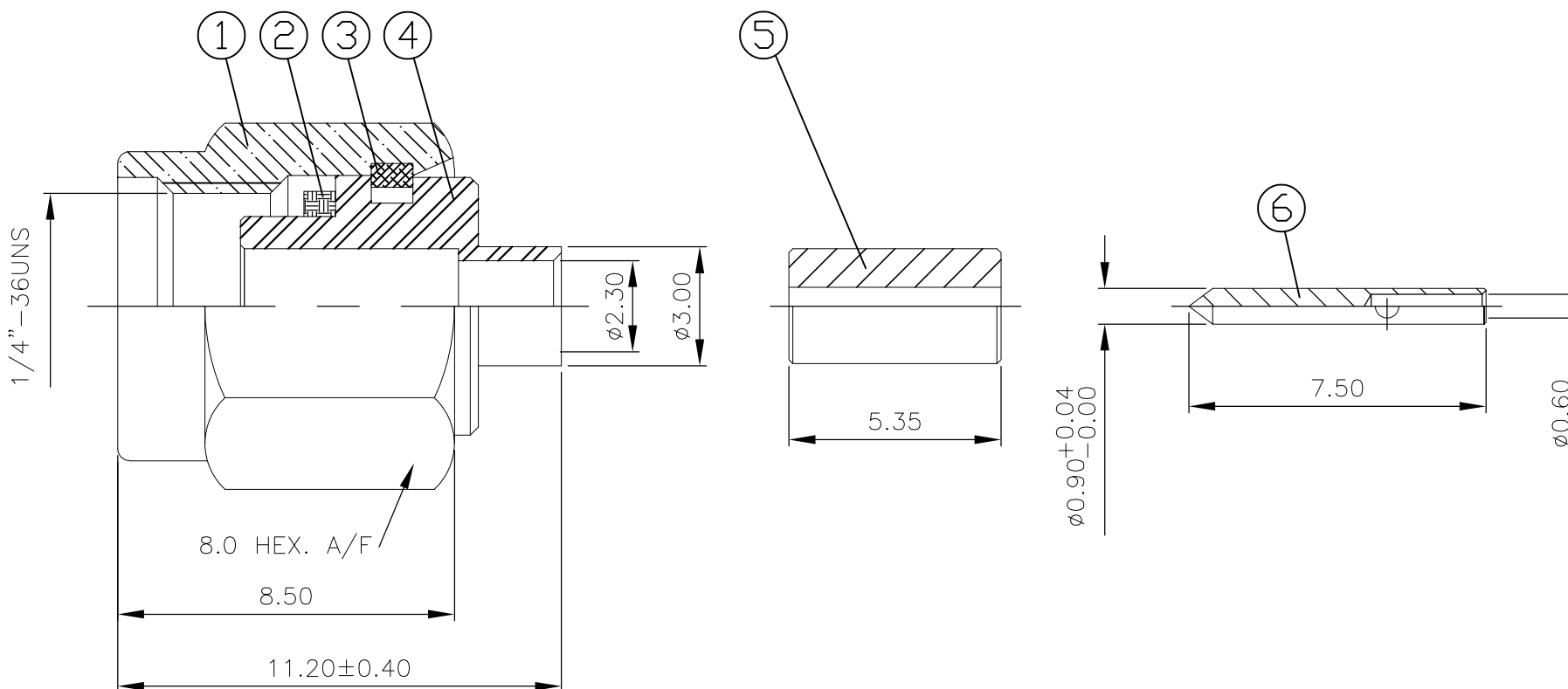
© COPYRIGHT 2004 By -

ALL RIGHTS RESERVED.

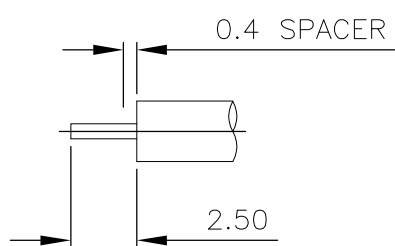
LOC	DIST	REVISIONS					
E	B	P	LTR	DESCRIPTION	DATE	DWN	APVD
		A1	ECO-11-007944		15APR2011	RZ	MY

NOTES:


- 1 SINGLE PACK IN ACCORDANCE WITH SPEC 107-3275
- 2 100 TRAY PACK IN ACCORDANCE WITH SPEC 107-3275
- 3 0.08µm Au PLATING OVER 1.27µm Ni PLATING
- 4 0.08µm Au PLATING OVER 1.27µm Ni PLATING OVER 0.76µm Cu PLATING
- 5 0.76µm Au PLATING OVER 1.27µm Ni PLATING OVER 0.76µm Cu PLATING
- 6 PASSIVATED (GOLD PLATED CABLE ENTRY)
- 7 FOR TECHNICAL DATA REFER TO YOUR LOCAL TYCO ELECTRONICS SALES OFFICE
- 8 ALL DIMENSIONS ARE NOMINAL FOR REFERENCE ONLY UNLESS OTHERWISE STATED



RECOMMENDED CABLE STRIPPING DIM'S



		1	1	1	1	1	1	BRASS	△5	CENTER CONTACT	6
		1	1	1	1	1	1	PTFE		INSULATOR	5
		1	1	-	-	-	-	BRASS	△4	BODY	4
		-	-	1	1	-	-	STAINLESS STEEL	△6	BODY	4
		-	-	-	-	1	1	STAINLESS STEEL	△3	BODY	4
		1	1	1	1	1	1	STAINLESS STEEL		CIRCLIP	3
		1	1	1	1	1	1	SILICON		GASKET	2
		1	1	-	-	-	-	BRASS	△4	SHELL	1
		-	-	1	1	-	-	STAINLESS STEEL	△6	SHELL	1
		-	-	-	-	1	1	STAINLESS STEEL	△3	SHELL	1
		3--1	3--0	2--1	2--0	1--1	1--0	MATERIAL		DESCRIPTION	ITEM
		△2	△1	△2	△1	△2	△1				
QUANTITY PER ASSY						PARTS LIST					

THIS DRAWING IS A CONTROLLED DOCUMENT.		DWN R.SMITH 28JAN04	 TE Connectivity																
DIMENSIONS: mm		CHK S.PARLOW 28JAN04				NAME													
TOLERANCES UNLESS OTHERWISE SPECIFIED:		APVD F.WHEELER-KING 28JAN04				SMA STRAIGHT PLUG DIRECT SOLDER NON CAPTIVE CENTRE CONTACT RG405/U													
<table border="0"> <tr><td>0 PLC</td><td>± -</td></tr> <tr><td>1 PLC</td><td>± -</td></tr> <tr><td>2 PLC</td><td>± -</td></tr> <tr><td>3 PLC</td><td>± -</td></tr> <tr><td>4 PLC</td><td>± -</td></tr> <tr><td>ANGLES</td><td>± -</td></tr> <tr><td>FINISH</td><td>± -</td></tr> </table>		0 PLC				± -	1 PLC	± -	2 PLC	± -	3 PLC	± -	4 PLC	± -	ANGLES	± -	FINISH	± -	PRODUCT SPEC 108-112003
0 PLC	± -																		
1 PLC	± -																		
2 PLC	± -																		
3 PLC	± -																		
4 PLC	± -																		
ANGLES	± -																		
FINISH	± -																		
MATERIAL SEE TABLE		APPLICATION SPEC 408-4765	SIZE A3	CAGE CODE 00779	DRAWING NO C-1478904														
CUSTOMER DRAWING			WEIGHT -	SCALE 1:1	SHEET 1 OF 1														
			REV A1																

Mouser Electronics

Authorized Distributor

Click to View Pricing, Inventory, Delivery & Lifecycle Information:

[TE Connectivity:](#)

[1-1478904-0](#)