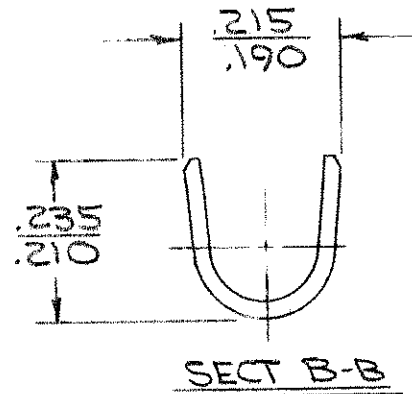
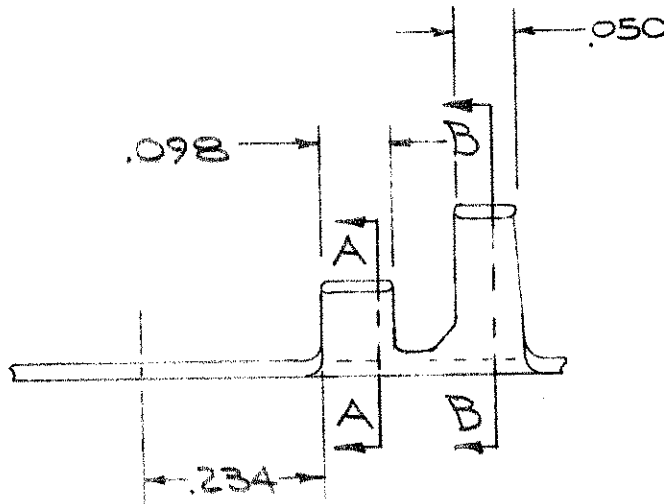
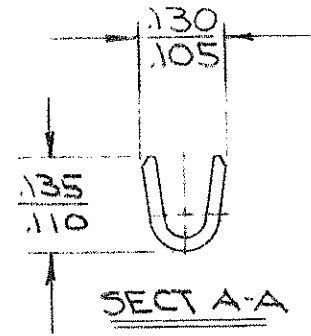
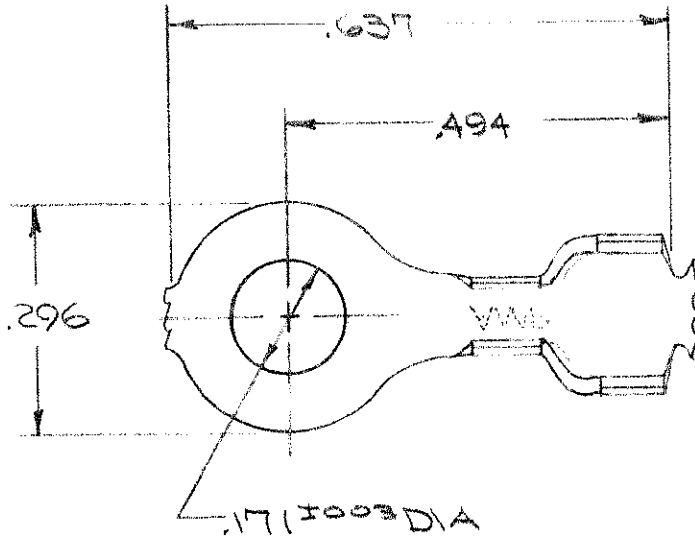


NUMBER
A85003

S



CONTINUOUS STRIP, ON REELS

TERMINAL
NUMBER
A85003-1

DIMENSIONS IN INCHES. DO NOT SCALE PRINT.

Unpublished copy not to be reproduced nor published without written permission of AMP Incorporated

				©1970 BY AMP INCORPORATED. ALL RIGHTS RESERVED. AMP PRODUCTS COVERED BY PATENTS AND/OR PATENTS PENDING		CUSTOMER COPY REFERENCE ONLY	
D	REV PER 063A-0271-02	MF	DFD	8-19-70	MATERIAL AND FINISH .020 STEEL		AMP AMP INCORPORATED HARRISBURG, PENNA.
C	REVISED & RELEASED	V-0089	GF	1/14/70	NICKEL		
B	REVISED	V-0070	GF	10/30/70	WIRE — RANGE — INSULATION *22-18 120-170		CLASS — // —
A	REVISED & RELEASED	V-0028	GF	7/27/70	TOLERANCE EXCEPT AS NOTED ± .018 ± 1° 0'		TYPE — // —
WAS P9-7652				SCALE — // —		LOC A NO A85003	
LTR	REVISION RECORD	ECN	DR	CHK	DATE	REV D	
DR G YETTER 6-3-70		DR R P FRENCH 6-3-70		NAME		RING	
CHK		APP R P FRENCH 6-3-70					

PRINT DIST
50