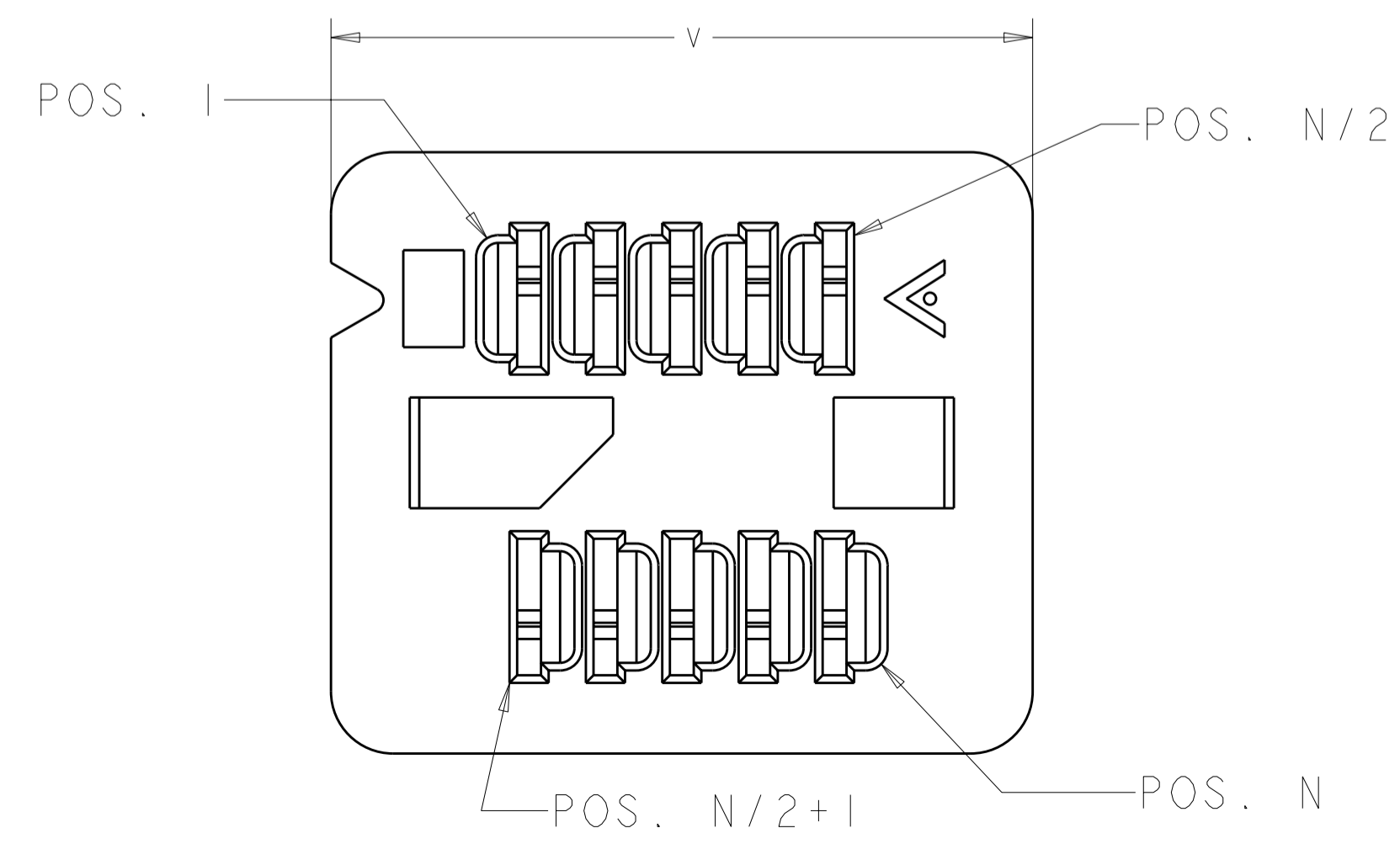
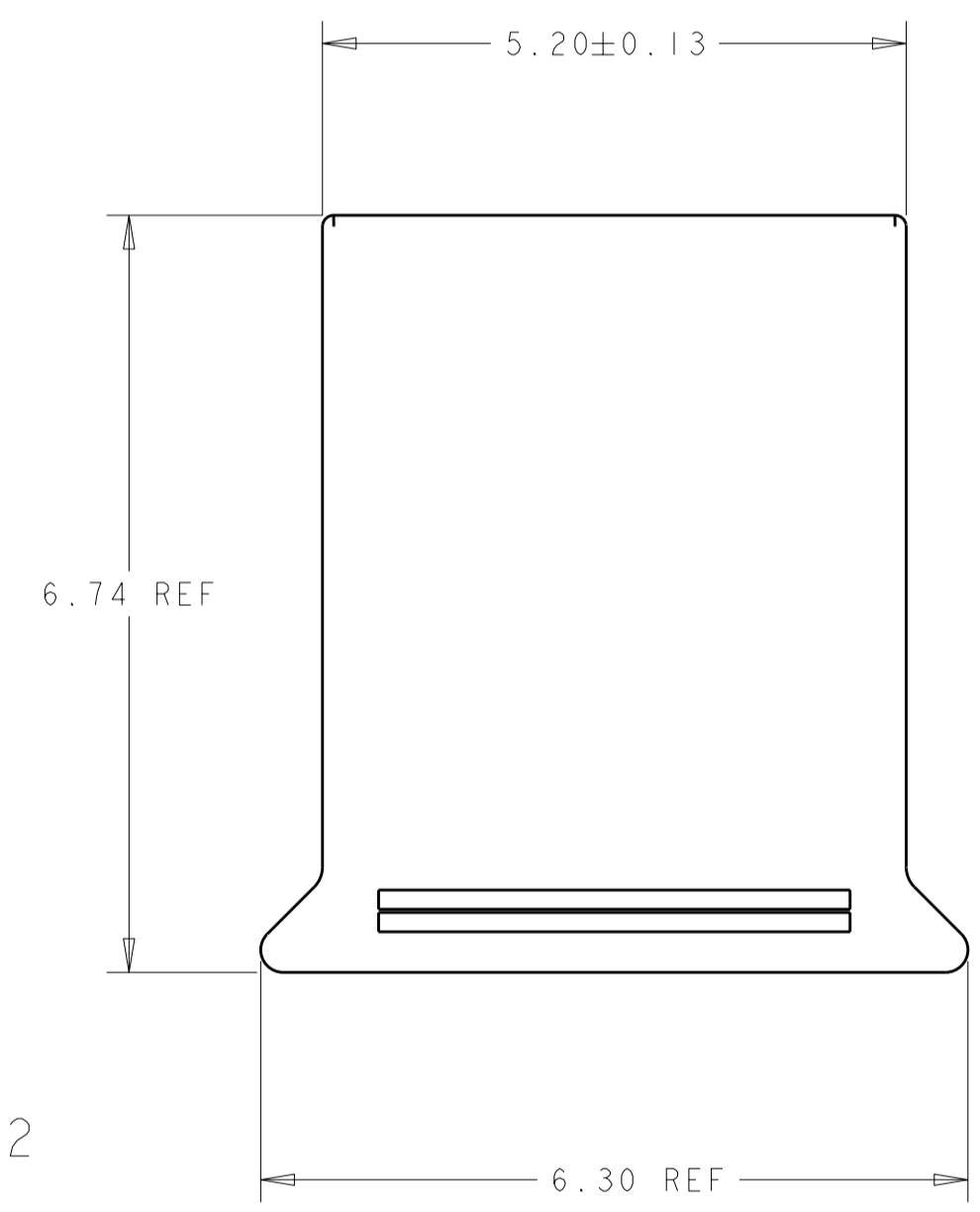
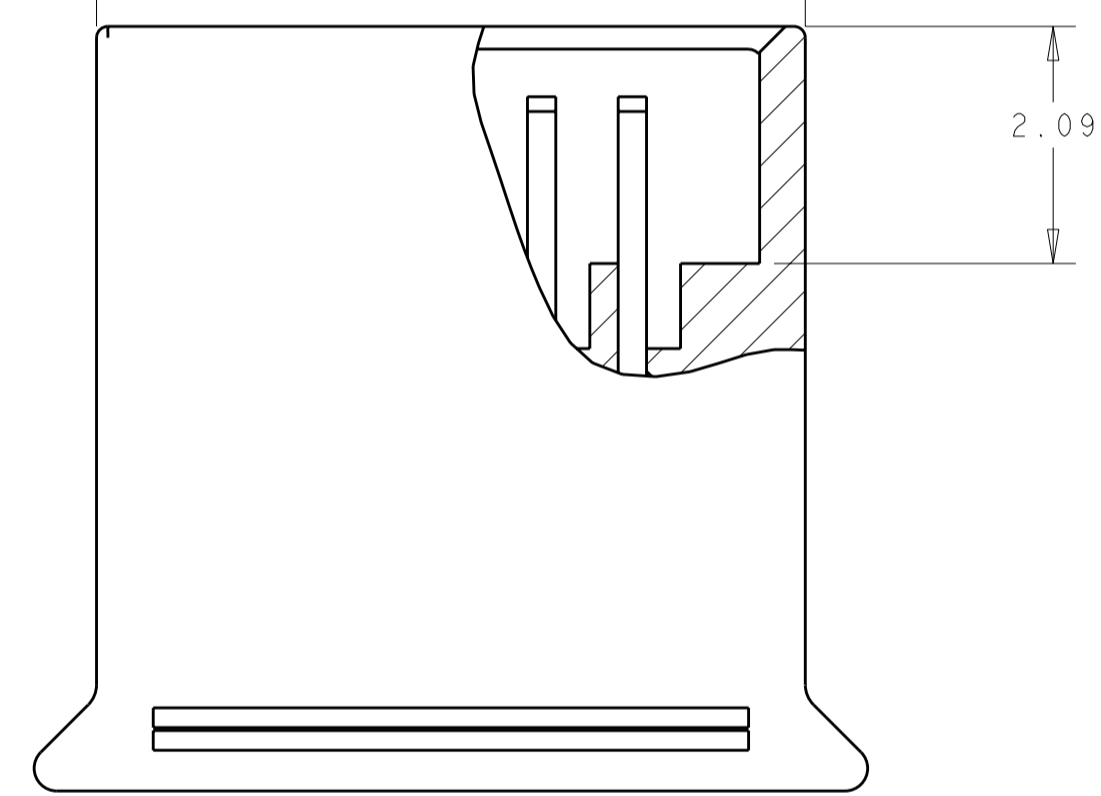
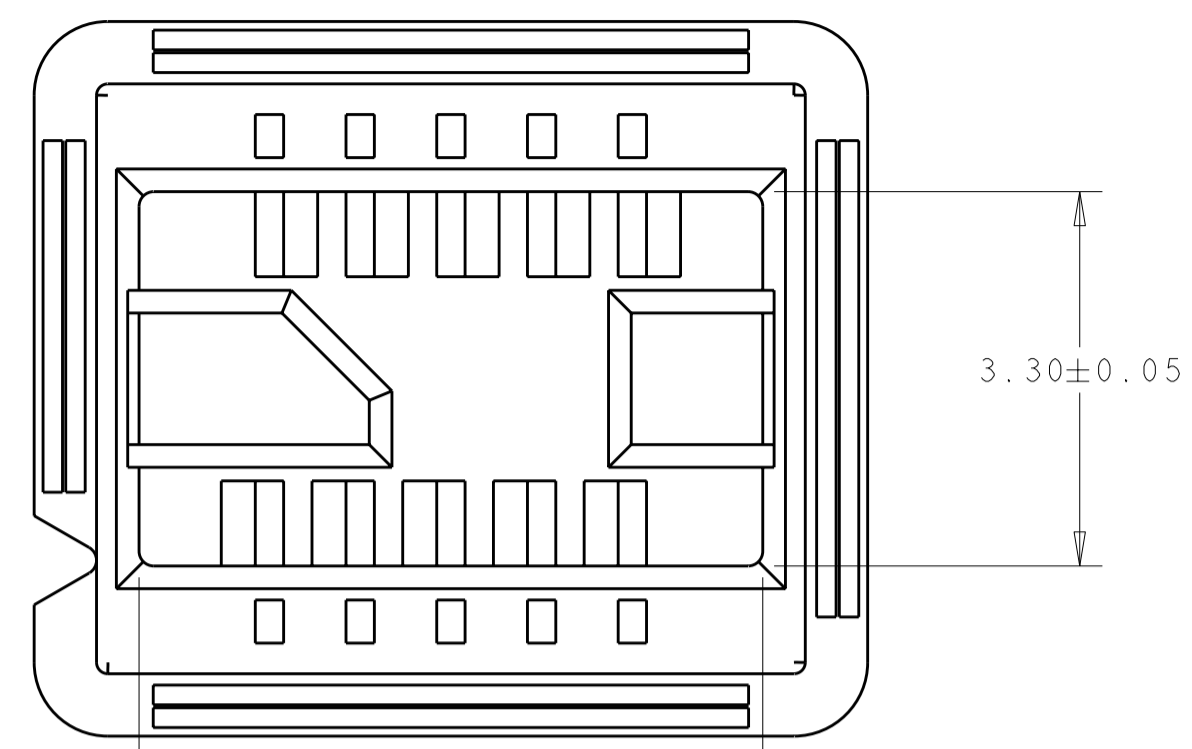


THIS DRAWING IS UNPUBLISHED. RELEASED FOR PUBLICATION 20  
 © COPYRIGHT 20 BY - ALL RIGHTS RESERVED.

REVISIONS				
P	LTR	DESCRIPTION	DATE	APVD
A2		REVISED PER ECO-11-005140	23MAR2011	RK HMR



1 UL94 V-0 RATED LCP, COLOR: NATURAL.  
 2 OBSOLETE PARTS: OBSOLETE CIS STREAMLINING PER D.RENAUD/D.SINISI

	V	W	Z	NO. OF POS N	PART NUMBER
2 OBSOLETE	19.35	18.25	17.50	40	1-1375875-8
	18.55	17.45	16.70	38	1-1375875-7
2 OBSOLETE	17.75	16.65	15.90	36	1-1375875-6
	16.95	15.85	15.10	34	1-1375875-5
2 OBSOLETE	16.15	15.05	14.30	32	1-1375875-4
	15.35	14.25	13.50	30	1-1375875-3
	14.55	13.45	12.70	28	1-1375875-2
	13.75	12.65	11.90	26	1-1375875-1
2 OBSOLETE	12.95	11.85	11.10	24	1-1375875-0
	12.15	11.05	10.30	22	1375875-9
	11.35	10.25	9.50	20	1375875-8
	10.55	9.45	8.70	18	1375875-7
	9.75	8.65	7.90	16	1375875-6
	8.95	7.85	7.10	14	1375875-5
	8.15	7.05	6.30	12	1375875-4
	7.35	6.25	5.50	10	1375875-3
	6.55	5.45	4.70	8	1375875-2
	5.75	4.65	3.90	6	1375875-1

THIS DRAWING IS A CONTROLLED DOCUMENT. DWN: K. KOEGL 03JUN2000  
 CHK: W. DAVIS 03JUN2000  
 APVD: -

**STE** TE Connectivity

NAME: AMPMODU MICRO INTERCONNECT PLUG HOUSING

PRODUCT SPEC: 108-1955  
 APPLICATION SPEC: 114-13051

SIZE: A2 CAGE CODE: 20779 DRAWING NO: 1375875 RESTRICTED TO: -

MATERIAL: CUSTOMER DRAWING WEIGHT: - SCALE: 15:1 SHEET 1 OF 1 REV: A2

# Mouser Electronics

Authorized Distributor

Click to View Pricing, Inventory, Delivery & Lifecycle Information:

[TE Connectivity:](#)

[1375875-3](#)